

Strom Plumbing

BY

Sign of  the Crab

Specifications & Measurements

For Catalog No. 1701
Effective July 1, 2016

Prices are subject to change without notice. Unless price is protected in writing, shipments will be at the prevailing prices.

3756 Omec Circle
Rancho Cordova, CA 95742
(916) 638-2722 / (800) 843-2722
Fax (916) 638-2725
www.signofthecrab.com
orders@signofthecrab.com

Warranty & Product Information

- **Faucet Construction**

Each item is individually assembled and tested in the United States. Our faucets are constructed with high quality, low lead brass. Our lavatory & kitchen faucets are lead free per California AB1953. They meet all current regulations with regard to lead composition.

- **Tubs**

Our cast iron tubs are IAPMO approved. Our tub legs are constructed of solid brass with chrome or nickel plating or our electrostatically applied Supercoat or Oil Rubbed Bronze finishes added. Our white tub legs are constructed of cast iron with premium gloss paint added. All of our tubs include adhesive non-slip strips for the consumer to install. Our Cast Iron tubs are IAPMO approved.



- **Valve Types**

All faucets will be shipped with 1/4 turn ceramic valves. Our 1/4 turn ceramic cartridge uses 2 ceramic disks that rotate to open and close the valve, minimizing mechanical wear. Thermostatic valves control the constant output temperature of the faucet.



- **CALGreen Compliant**

Products displaying this green crab symbol meet all requirements for the CALGreen code 4303.1.3.2

Tub Warranty

Our tubs are warranted to be free of manufacturing and finish defects for a period of **5 years** from date of purchase, when properly installed by a qualified, licensed plumber. In most cases on-site repair of the tub will be accomplished, minimizing the inconvenience to the customer. Our Cast Iron tubs are IAPMO approved.



Faucet & Accessory Warranty

All items are warranted to be free of manufacturing and finish defects for a period of **5 years** from date of purchase, when properly installed by a qualified, licensed plumber. For items other than sinks & tubs, this warranty covers replacement of defective parts, not of complete product, unless deemed necessary by a customer service representative. The warranty does not extend to labor charges or air freight charges when repair or replacement of the item is needed. The warranty only applies to interior installations. Our products are not warranted for outdoor use.

Effective as of 2015, we now offer a **Limited Lifetime Warranty on our cartridges** for all of our faucets, for as long as the original purchaser owns the unit. We will provide new cartridges as deemed necessary by our Customer Service Department to the original owner only with provided proof of purchase.

All our **ceramic faucet handles** are warranted for 5 years from date of purchase. Any ceramic faucet handle developing cracks or chips will be promptly replaced, as a cracked or broken handle may result in personal injury.

Our **Finishes** include Chrome, Matte Nickel, Polished Nickel, Supercoated Brass and Oil Rubbed Bronze finish. The Nickel Finishes are living finishes and will patina in time. Chrome & Nickel finishes are warranted against defect for a period of 5 years. The Oil Rubbed Bronze Finish (“non-living”) is a fragile finish that must be inspected prior to installation and is not warranted further. See our Supercoat Brass finish warranty and proper cleaning instructions below.

Lifetime Supercoat Brass Warranty

Our Supercoating is a 2 part epoxy, applied electrostatically, and baked on our brass products to insure a lasting shine. It is absolutely guaranteed for as long as the original purchaser owns their home and proper maintenance instructions are followed. The product must be returned to our factory for re-coating. We will re-coat, not replace the product if a defect of the Supercoat finish occurs.

Care of Supercoat Brass - Supercoat brass items should be wiped gently with a soft cloth after each use. Plumber’s putty should not be used for installation. Use of plumber’s putty, detergents or abrasive cleaners will void the warranty of the finish as they may cause deterioration of the coating. We recommend a bead of waterproof silicone where putty is needed.

Installation Instructions

Installation instructions are included with every faucet and are also available on our website at www.signofthecrab.com.

Price Changes

Prices and products are subject to change without notice. Unless price is protected in writing, shipment will be at prevailing prices.

We sell only to the plumbing trade and there is no direct purchasing by retail customers.

CAST IRON - TRADITIONAL									
ITEM #	OVERALL LENGTH	OVERALL WIDTH	OVERALL HEIGHT	FAUCET HOLES CENTER TO CENTER	BOTTOM OF TUB TO FLOOR	OVERFLOW HEIGHT TO BOTTOM OF TUB	SEAT AREA	WATER VOLUME GALLON	UNCRATED / CRATED WEIGHT - LBS
P0700	60.5"	30.5"	24"	3 3/8"	5.3"	12.5"	37" x 17"	36	352 / 485
P0731	48.5"	30.5"	22"	3 3/8"	4.7"	12.5"	27" x 15"	23	220 / 383
P0880	60.5"	30.5"	24"	N/A	5.3"	15.5"	37" x 17"	41	352 / 485
P0885	60.5"	30.5"	24"	7"	5.3"	15.5"	37" x 17"	41	352 / 485

CAST IRON - SLIPPER									
ITEM #	OVERALL LENGTH	OVERALL WIDTH	OVERALL HEIGHT	FAUCET HOLES CENTER TO CENTER	BOTTOM OF TUB TO FLOOR	OVERFLOW HEIGHT TO BOTTOM OF TUB	SEAT AREA	WATER VOLUME GALLON	UNCRATED / CRATED WEIGHT - LBS
P0704	66.5"	30"	23" x 29"*	7"	6.3"	14.5"	41" x 17"	48	394 / 540
P0705	66.5"	30"	23" x 29"*	N/A	6.3"	14.5"	41" x 17"	48	394 / 540
P0760	61"	31"	25" x 32.3"*	7"	5.3"	15.5"	38" x 15"	39	374 / 515
P0762	61"	31"	25" x 32.3"*	N/A	5.3"	15.5"	38" x 15"	39	374 / 515

CAST IRON - DOUBLE ENDED SLIPPER									
ITEM #	OVERALL LENGTH	OVERALL WIDTH	OVERALL HEIGHT	FAUCET HOLES CENTER TO CENTER	BOTTOM OF TUB TO FLOOR	OVERFLOW HEIGHT TO BOTTOM OF TUB	SEAT AREA	WATER VOLUME GALLON	UNCRATED / CRATED WEIGHT - LBS
P0767	72"	31.5"	29.5" / 21.5"	7"	5.3"	13.7"	34" x 15"	68	418 / 624
P0770	72"	31.5"	29.5" / 21.5"	N/A	5.3"	13.7"	34" x 15"	68	462 / 624
P0784	72"	31.5"	29.5" / 21.5"	7"	5.3"	13.7"	34" x 15"	68	418 / 624
P0785	72"	31.5"	29.5" / 21.5"	N/A	5.3"	13.7"	34" x 15"	68	462 / 624
P0883	72"	31.5"	30" / 21.5"	7"	7.5"	12.5"	34" x 15"	68	506 / 640
P0884	72"	31.5"	30" / 21.5"	N/A	7.5"	12.5"	34" x 15"	68	506 / 640

CAST IRON - DUAL ENDED									
ITEM #	OVERALL LENGTH	OVERALL WIDTH	OVERALL HEIGHT	FAUCET HOLES CENTER TO CENTER	BOTTOM OF TUB TO FLOOR	OVERFLOW HEIGHT TO BOTTOM OF TUB	SEAT AREA	WATER VOLUME GALLON	UNCRATED / CRATED WEIGHT - LBS
P0765	66.5"	30.5"	24"	7"	6"	15.5"	45" x 17"	50	374 / 529
P0768	66.5"	30.5"	24"	N/A	6"	15.5"	45" x 17"	50	374 / 529
P0766	66.5"	30.5"	24"	7"	7.25"	17.25"	45" x 17"	50	475 / 635
P0769	66.5"	30.5"	24"	N/A"	7.25"	17.25"	45" x 17"	50	466 / 635
P0777	61.5"	30.5"	24.5"	7"	7.25"	17.25"	41" x 17"	45	462 / 577
P0778	61.5"	30.5"	24.5"	N/A	7.25"	17.25"	41" x 17"	45	462 / 577
P0881	61.5"	30.5"	24"	7"	6"	15.5"	41" x 17"	45	352 / 520
P0882	61.5"	30.5"	24"	N/A	6"	15.5"	41" x 17"	45	352 / 520
P1114	61"	30.5"	24"	7"	6"	15.5"	41" x 17"	45	352 / 520
P1115	61"	30.5"	24"	N/A	6"	15.5"	41" x 17"	45	352 / 520
P1116	66.5"	30.5"	24"	7"	6"	15.5"	45" x 17"	50	374 / 529
P1117	66.5"	30.5"	24"	N/A	6"	15.5"	45" x 17"	50	374 / 529

CAST IRON - FARM HOUSE SINK							
ITEM #	OVERALL LENGTH	OVERALL WIDTH	SINK ONLY HEIGHT-TOP TO BOTTOM OF APRON	INTERIOR SINK SIZE	P0814 SINK COUNTER HEIGHT WITH LEGS	FAUCET HOLES CENTER TO CENTER	UNCRATED / CRATED WEIGHT - LBS
P0812	60.25"	21"	18"	24" x 16"	N/A	8"	336 / 418
P0813	29" x 35"	N/A	N/A	N/A	N/A	N/A	58
P0814	60.25"	21"	18"	24" x 16"	30" to 36"	8"	389 / 476
P1118	42"	21"	16.14"	19.25" X 16"	N/A	8"	154 / 234

CAST IRON - SHOWER PAN						
ITEM #	OVERALL LENGTH	OVERALL WIDTH	OVERALL HEIGHT	STANDING AREA	BOTTOM OF PAN TO FLOOR	UNCRATED / CRATED WEIGHT - LBS
P0774	42"	42"	12.5"	35" x 35"	6"	220 / 336

WE DO NOT SHIP TUBS OR SINKS TO ALASKA OR HAWAII

ACRYLIC - DUAL

ITEM #	OVERALL LENGTH	OVERALL WIDTH	OVERALL HEIGHT	FAUCET HOLES CENTER TO CENTER	BOTTOM OF TUB TO FLOOR	OVERFLOW HEIGHT TO BOTTOM OF TUB	SEAT AREA	WATER VOLUME GALLON	UNCRATED / CRATED WEIGHT - LBS
P0772	75"	34.5"	24"	7"	6"	14 3/4"	53" x 19"	50	134/239
P0773	75"	34.5"	24"	N/A	6"	14 3/4"	53" x 19"	50	134/239
P0775	60"	34.5"	24"	7"	6"	14 3/4"	39" x 19"	38	110/202
P0776	60"	34.5"	24"	N/A	6"	14 3/4"	39" x 19"	38	110/202
P0948	66"	31"	24"	7"	5.25"	14 3/4"	43" x 15"	48	119/216
P0949	66"	31"	24"	N/A	5.25"	14 3/4"	43" x 15"	48	119/216
P1109	66.1"	30.7"	23.6"	7"	5.9"	14.2"	45" x 17"	47.3"	100 / 175
P1110	66.1"	30.7"	23.6"	N/A	5.9"	14.2"	45" x 17"	47.3"	100 / 175
P1113	66.1"	28.4"	26"	N/A	7.5"	N/A	48" x 18"	N/A	83 / 158

ACRYLIC - SLIPPER

ITEM #	OVERALL LENGTH	OVERALL WIDTH	OVERALL HEIGHT	FAUCET HOLES CENTER TO CENTER	BOTTOM OF TUB TO FLOOR	OVERFLOW HEIGHT TO BOTTOM OF TUB	SEAT AREA	WATER VOLUME GALLON	UNCRATED / CRATED WEIGHT - LBS
P0951	67"	30"	23.25" / 28.75"*	7"	5.25"	14 1/2"	45" x 18"	41	104/205
P0952	67"	30"	23.25" / 28.75"*	N/A	5.25"	14 1/2"	45" x 18"	41	104/205
P0956	60"	32"	25" / 33.5"*	7"	5.5"	15 3/4"	38" x 16"	42	121/226
P0957	60"	32"	23 3/4" / 33.5"*	N/A	5.5"	15 3/4"	38" x 16"	42	121/226
P0964	60"	32"	23 3/4" / 33.5"*	7"	5.5"	15 3/4"	38" x 16"	42	121/226
P0965	60"	32"	23 3/4" / 33.5"*	N/A	5.5"	15 3/4"	38" x 16"	42	121/226
P1111	60.6"	32.3"	22.8"/31.9"*	7"	5.7"	13.2"	40" X 19"	43	96 / 171
P1112	60.6"	32.3"	22.8"/31.9"*	N/A	5.7"	13.2"	40" X 19"	43	96 / 171

* LOW SIDE / HIGH SIDE

ACRYLIC - SOAKER

ITEM #	OVERALL LENGTH	OVERALL WIDTH	OVERALL HEIGHT	FAUCET HOLES CENTER TO CENTER	BOTTOM OF TUB TO FLOOR	OVERFLOW HEIGHT TO BOTTOM OF TUB	SEAT AREA	WATER VOLUME GALLON	UNCRATED / CRATED WEIGHT - LBS
P0879	70"	34"	28.5"	N/A	3.5"	13 1/4"	43" x 17"	62	139/253
P0945	70"	34"	25"	N/A	N/A	13 1/4"	43" x 17"	62	139/253
P1036	65"	30 3/4"	20 1/2"/ 26 1/4"*	N/A	N/A	11 1/2" INT	37" x 19"	31	90/200
P1106	71"	33 1/4"	23	N/A	N/A	15"	48" x 27"	68	113/213
P1108	66.1"	31.5"	24"/31.9"*	N/A	5.1"	15"	45" X 21"	63.4	81 / 156

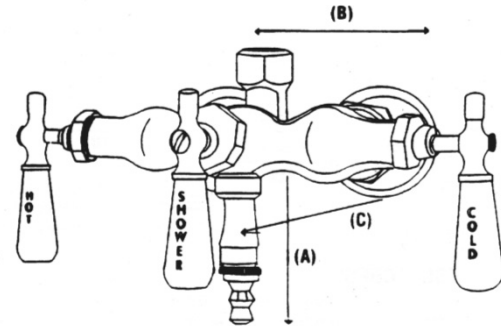
* LOW SIDE / HIGH SIDE

ACRYLIC - DOUBLE ENDED SLIPPER

ITEM #	OVERALL LENGTH	OVERALL WIDTH	OVERALL HEIGHT	FAUCET HOLES CENTER TO CENTER	BOTTOM OF TUB TO FLOOR	OVERFLOW HEIGHT TO BOTTOM OF TUB	SEAT AREA	WATER VOLUME GALLON	UNCRATED / CRATED WEIGHT - LBS
P0993	72"	31.5"	29.5" / 21.5"	7"	5.3"	13.7"	34" x 15"	68	226/388
P0994	72"	31.5"	29.5" / 21.5"	N/A	5.3"	13.7"	34" x 15"	68	226/388
P0995	72"	31.5"	29.5" / 21.5"	7"	5.3"	13.7"	34" x 15"	68	218/380
P0996	72"	31.5"	29.5" / 21.5"	N/A	5.3"	13.7"	34" x 15"	68	218/380
P0997	72"	31.5"	30" / 21.5"	7"	7.5"	12.5"	34" x 15"	68	216/378
P0998	72"	31.5"	30" / 21.5"	N/A	7.5"	12.5"	34" x 15"	68	216/378

LEG TUB FAUCETS

ITEM #	Spout Length / Height	Centers	Wall to Spout extension
P0006	3 1/2"	3 3/8"	3 1/4"
P0126	9 3/4"	3 3/8"	5 3/8"
P0146*	4 1/2"	3 3/8" - 12"*	7"
P0149-1	9 3/4"	3 3/8"	8"
P0400/P0402	9 3/4"	3 3/8"	8"
P0708	9 3/4"	3 3/8"	8"
P0793	9 3/4"	3 3/8"	8"
P0804	9 3/4"	3 3/8" - 9"	8"
P0889	5"	3 3/8" - 12"	7 1/2"
P1003	5"	3 3/8" - 12"	8"
P1004	7 1/2"	3 3/8"	11"
P1014	4 1/2"	3 3/8" - 12"	7"
P1017	8"	3 3/8" - 12"	10 1/2"
P1018	8"	3 3/8" - 12"	10 1/2"
P1026	9 3/4"	3 3/8"	8"
P1053	8"	3 3/8"	11"
P1067	10 1/2"	3 3/8" - 12"	9"



*The minimum center to center of 4 1/2" when mounting on a "bathroom wall" AND/OR any faucet that has P0166 swing arms added for wall mount installation.

DECK MOUNT FAUCETS

Maximum deck thickness is 1 1/8"

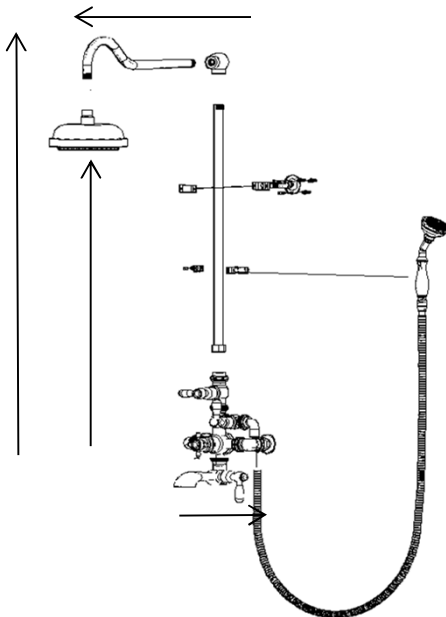
ITEM #	Spout Extension	Total Height	Spout Clearance	Base Diameter	Center to Center
P0341	7"	10"	2" BELOW DECK	2 1/8"	7"
P0462	7"	14"	2"	2 1/8"	7"
P0625	9"	ADJ.	ADJ.	2 1/8"	3 3/8" - 9"
P0626	8"	ADJ.	ADJ.	2 1/8"	3 3/8" - 12"
P0627	8"	ADJ.	ADJ.	2 1/8"	3 3/8" - 12"
P0684	9"	ADJ.	ADJ.	2 1/8"	3 3/8" - 9"
P0712	5"	ADJ.	ADJ.	2 1/8"	3 3/8" - 9"
P0795	9"	15"	6"	2 1/8"	3" - 12"
P0802	7"	8"	2 1/2"	2 1/8"	7"
P0803	5"	11"	6"	2 1/8"	3" - 12"
P0891	5 1/2"	15"	1 3/4"	2 1/8"	7"
P0969	7 1/2"	16"	3"	2 1/8"	7"
P1002	8"	13 1/2"	4 1/4"	2 1/8"	7"
P1009	7"	14"	2"	2 1/8"	7"
P1013	7"	14"	2"	2 1/8"	7"
P1015	8"	13"	10"	2 1/8"	7"
P1054	12"	variable	N/A	2 1/8"	variable
P1068	8"	17"	N/A	2 1/8"	7"
P1073	8 1/2"	15"	4 3/4"	2 1/8"	7"
P1074	8 1/4"	14"	1/2"	2 1/8"	3" - 12"
P1075	8 1/4"	8"	1/2"	2 1/8"	7"
P1076	6"	13 1/2"	2 3/4"	2 1/8"	7"
P1077	7"	8"	2 1/2"	2 1/8"	7"
P1132	5"	8 1/2"	3 3/4"	2 1/8"	7"

WALL MOUNT FAUCETS

ITEM #	Extension from wall to Spout	Body C to C	Total height from Inlet	Spout Drop from Inlet
P0655	11 1/2"	3 3/8"	9 3/4"	N/A
P0790	10"	7"	7"	4 1/2"
P0894	10 1/2"	7"	15"	4 1/2"
P0905	12"	7"	10"	1/2"
P0944	10"	7"	7"	4 1/2"
P0916	11"	N/A	N/A	1"
P0970	13"	7"	11"	1"
P1001	10"	7"	8 1/4"	5"
P1016	11 1/2"	7"	10 1/2"	N/A
P1027	10"	7"	7"	4 1/2"
P1037	11 1/2"	3 3/8"	9 3/4"	N/A
P1055	11"	3 3/8"	8"	N/A
P1078	10"	7"	3"	4 1/2"
P1079	11 1/2"	7"	7"	5 1/2"
P1080	12 1/2"	7"	10"	1/2"
P1124	13"	7"	8"	N/A
P1125	11 1/2"	7"	2"	5 1/2"
P1126	11"	7"	2"	5"
P1127	12 1/2"	7"	3"	1 1/2"
P1128	13"	7"	3"	1/2"
P1133	10 1/2"	7"	1 1/2"	4 1/2"

WALL MOUNT SHOWERS

ITEM #	Extension from wall to Spout or Head	Body C to C	Total height from Inlet	Bottom of Head or spout to Inlet
P0678	19"	3 3/8"	44"	36"
P0713	19"	3 3/8"	44"	36"
P0901	19"	7"	45"	37"
P0902	19"	7"	48"	40"
P0903**	Spout 8 1/2" / Head 19"	7"	45"	40"
P0907	10"	7"	69"	58"
P0946**	Spout 8 1/2" / Head 19"	7"	48"	40"
P0963**	Spout 8 1/2" / Head 19"	7"	64.5"	56.5"
P1021	11 1/2"	3 3/8"	65"	57 1/2"
P1022	12"	7"	42"	35"
P1049	Spout 8 1/2" / Head 15"	7"	64.5"	56.5"
P1085	19"	7"	46"	38"
P1087	17"	7"	41"	28"
P1088	17"	7"	43"	30"
P1089**	17"	7"	41"	29"
P1090	17"	7"	43"	30"
P1091	17"	8"	38"	25"
P1092	17"	7"	38"	25"
P1093	17"	7"	38"	25"
P1094	12"	7"	44 1/2"	39"
P1095	21"	7"	42"	32"
P1096	12"	7"	40"	35"
P1123	21"	8"	42"	32"
P1130****	19"	variable	42" - 48"	34" - 40"
P1131****	19"	variable	43" - 49"	35" - 41"



****SPOUT DROP IS 4 1/2"**

******The minimum center to center of 4 1/2" when mounting on a "bathroom wall"**

AND/OR any faucet that has P0166 swing arms added for wall mount installation.

OVER THE RIM FAUCET/SUPPLY SETS

<u>ITEM #</u>	<u>Spout Extension</u>	<u>Center to Center</u>	<u>Supply Only Height</u>	<u>Total Height</u>	<u>Spout Drop</u>
P0972	10 1/2"	3 3/8"	24"	34"	N/A
P0972-28	10 1/2"	3 3/8"	28"	38"	N/A
P0973	10 1/2"	7"	24"	33"	4 1/2"
P0973-28	10 1/2"	7"	28"	37"	4 1/2"
P0974	11"	7"	24"	35"	4 1/2"
P0974-28	11"	7"	28"	39"	4 1/2"
P0975	10 1/2"	7"	24"	33"	4 1/2"
P0975-28	10 1/2"	7"	28"	37"	4 1/2"
P1000	11"	7"	24"	33"	5"
P1000-28	11"	7"	28"	37"	5"
P1019-28	13"	7"	28"	94"	N/A
P1020-28	10 1/2"	3 3/8"	28"	94"	N/A
P1023	13"	7"	24"	35"	1 1/2"
P1023-28	13"	7"	28"	39"	1 1/2"
P1024	12"	7"	24"	34"	N/A
P1024-28	12"	7"	28"	38"	N/A
P1025	10 1/2"	7"	24"	33"	4 1/2"
P1025-28	10 1/2"	7"	28"	37"	4 1/2"
P1025-30	10 1/2"	7"	30"	39"	4 1/2"
P1032	14"	7"	24"	35"	N/A
P1032-28	14"	7"	28"	39"	N/A
P1056	13"	3 3/8"	24"	33"	N/A
P1056-28	13"	3 3/8"	28"	37"	N/A
P1069	14"	7"	24"	38"	N/A
P1069-28	14"	7"	28"	42"	N/A
P1081	11"	7"	24"	33"	5"
P1081-28	11"	7"	28"	37"	5"
P1082	11 1/2"	7"	24"	33"	5 1/2"
P1082-28	11 1/2"	7"	28"	37"	5 1/2"
P1083	11 1/2"	7"	24"	33"	5 1/2"
P1083-28	11 1/2"	7"	28"	37"	5 1/2"
P1129	12"	adjustable	24"	34 - 37	N/A
P1129-28	12"	adjustable	28"	38 - 41	N/A

TUB SPOUTS

ADAPT TO 3/4" IPS (except P1044) MINIMUM OF 1 1/2" OF THREADS OUT OF WALL FOR INSTALLATION.

<u>ITEM #</u>	<u>Length</u>	<u>Base Diameter</u>
P0079	5 3/4"	3"
P0080	5 3/4"	2 7/8"
P1044**	10 1/2"	2 3/8"

**Connection is 1/2" IPS

WIDESPREAD LAVATORY FAUCETS

Minimum hole size for installation is 1 1/4". Maximum counter thickness is 1 1/2"

MISSISSIPPI SERIES	Spout Extension	Spout Height	Spout Base	Esc Diameter	Escutcheon Height	Handle Length
P0152	5 1/2"	3 1/2"	2 1/2"	2 7/8"	1 7/8"	3 1/4"
P0805	5 1/2"	3 1/2"	2 1/2"	2 7/8"	1 7/8"	2 1/16"
P0981	5 1/2"	3 1/2"	2 1/2"	2 7/8"	1 7/8"	3"

RIO GRANDE SERIES	Spout Extension	Spout Height	Spout Base	Esc Diameter	Escutcheon Height	Handle Length
P0588	7 1/2"	6 1/2"	2 1/4"	2 1/2"	1 3/4"	3"
P0888	7 1/2"	6 1/2"	2 1/4"	2 1/2"	1 3/4"	3 1/8"
P1033	7 1/2"	6 1/2"	2 1/4"	2 1/2"	1 3/4"	3 1/4"

SACRAMENTO SERIES	Spout Extension	Spout Height	Spout Base	Esc Diameter	Escutcheon Height	Handle Length
P0104**	5"	4 7/8"	2" / 2 1/2"	2 1/4"	1 1/2"	4"
P0140**	5"	4 7/8"	2" / 2 1/2"	2 1/4"	1 1/2"	3 1/4"
P0188	5"	4 7/8"	2" / 2 1/2"	2 7/8"	1 3/4"	3 1/4"
P0188X	5"	4 7/8"	2" / 2 1/2"	2 7/8"	1 3/4"	3 1/4"
P0820**	5"	4 7/8"	2" / 2 1/2"	2 7/8"	1 3/4"	3 1/4"

ST. LAWRENCE SERIES	Spout Extension	Spout Height	Spout Base	Esc Diameter	Escutcheon Height	Handle Length
P0345	4 1/2"	4 1/2"	2 3/4"	2 3/4"	2"	3 1/4"
P0346	4 1/2"	4 1/2"	2 3/4"	2 3/4"	2"	2 7/8"
P0347	4 1/2"	4 1/2"	2 3/4"	2 3/4"	2"	2 1/2"
P1008	4"	12"	2 3/8"	2 3/4"	2"	4"

THAMES SERIES	Spout Extension	Spout Height	Spout Base	Esc Diameter	Escutcheon Height	Handle Length
P0376	5 1/2"	4"	2 3/4"	2 1/2"	1 3/4"	3 1/4"
P0377	5 1/2"	4"	2 3/4"	2 1/2"	1 3/4"	3 1/2"
P0378	5 1/2"	4"	2 3/4"	2 1/2"	1 3/4"	3 1/8"
P0821	5 1/2"	4"	2 3/4"	2 1/2"	1 3/4"	3"

**Includes 7/8" spout ring

ESCUTCHEONS

ITEM #	Diameter	Height
P0099	2 7/8"	1 7/8"
P0383	3 3/8"	2"
P0384	2 7/8"	1 3/4"
P0386	2 1/4"	1 1/2"
P0387	2 1/4"	1 1/2"
P0388	2 7/8"	1 3/4"
P0391	2 1/2"	1 3/4"
P0458	2 3/4"	1 3/4"
P0478	2 3/4"	2"
P0481	2 1/2"	1 3/4"
PP0259	2 1/4"	1 1/4"

HANDLES

3/8" ID, 16 splines

ITEM #	Stem to End
P0202	3 1/8"
P0204	4"
P0206	2 3/4"
P0207	3 1/2"
P0208	3 1/2"
P0212	2 1/2"
P0214	3 1/2"
P0215	3 1/2"
P0217	3 1/4"
P0219	3 1/4"
P0220	2 1/4"

ITEM #	Stem to End
P0475	3"
P0476	2 1/2"
P0551	2"
P0552	2"
P0622	4"
P0725	3 3/16"
P0782	2 1/16"
P0815	3"
P0980	3"
P0999	3 1/2"

ANTIQUE REPRODUCTIONS

Minimum hole size for installation is 1", maximum counter thickness 1 1/4"

ITEM #	Spout		Base
	Extension	Height	Diameter
P0012	4"	4 1/2"	1 7/8"
P0013	5 3/4"	6"	2 1/4"
P0058	5"	4"	2 3/8"
P0549-8	5"	5 1/2"	2 7/8"
P0549-12	5"	5 1/2"	2 7/8"
P0550-8	5"	8 1/2"	2 7/8"
P0550-12	5"	8 1/2"	2 7/8"
P0557-8	5"	8 1/2"	2 7/8"
P0557-12	5"	8 1/2"	2 7/8"
P0558-8	5"	8 1/2"	2 7/8"
P0558-12	5"	8 1/2"	2 7/8"
P0565-8	5"	5"	2 7/8"
P0565-12	5"	5"	2 7/8"
P0587	4"	4 1/2"	1 7/8"
P0598	4"	4 1/2"	1 7/8"
P0629	5"	8 1/2"	2 1/8"
P0630	5"	5 1/2"	2 1/8"
P0819	8"	8"	2 1/8"
P0822	8"	8"	2 1/8"
P1005	7 1/2"	11 1/2"	2 7/8"
P1006	5" / 3"***	11 1/4"	2 1/4"
P1007	5"	12"	2 7/8"
P1007-10	5"	12"	2 7/8"

**AS PICTURED - 5" from center ball forward to spout and 3" from inlet as pictured to spout.

KITCHEN FAUCETS

8" CENTER TO CENTER ON ALL KITCHEN FAUCETS.
MAXIMUM COUNTER THICKNESS 1 1/8"

ITEM #	Spout		Base
	Extension	Height	Diameter
P0825	15 1/2"	6"	2 1/8"
P0826	12 1/2"	9 1/2"	2 1/8"
P0827	15 1/2"	5 1/2"	2 1/8"
P0828	16 1/4"	3"	2 1/8"
P0829	10"	3"	2 1/8"
P0830	20 1/4"	11"	2 1/8"
P0831	12 1/2"	6"	2 1/8"
P0832	6 1/2"	6"	2 1/8"
P0833	18"	12"	2 1/8"
P0834	15 5/8"	5"	2 1/8"
P0835	12 5/8"	7"	2 1/8"
P0836	12 5/8"	7"	2 1/8"
P0886	10"	3"	2 1/8"
P0887	6 1/2"	6"	2 1/8"
P1010	10"	4 1/2"	2 1/8"
P1011	12 1/2"	9 1/2"	2 1/8"
P1045/P1047	8"	2 1/2"	2 1/8"
P1046/P1048	8"	4 3/4"	2 1/8"
P1063	13 1/2"	8"	2 1/8"
P1064	10"	11"	2 1/8"
P1065	8 3/4"	15"	2 1/2" spout
P1066	9 1/2"	10"	2 1/2" spout

FLOW RATES

Approximate GPM, tested at 60 PSI

Faucet	Flow Rate
P0006	7
P0012	2.2
P0013	2.2
P0058	2.2
P0126	8.1
P0146	8.1
P0149	8.8
P0400	7
Bridge Faucets	1.2
Exposed Thermostatic	6.5
Concealed Thermostatic	6.1
Ceramic Tub & Shower Valves	5.7
Lavatory Faucets	1.2
All Shower Heads & P0869	1.8
Kitchen Faucets	1.8

Strom Plumbing

BY

Sign of  the Crab

*COMMITTED TO QUALITY
SINCE 1972*

3756 Omec Circle
Rancho Cordova, CA 95742
(916) 638-2722 / (800) 843-2722
Fax (916) 638-2725
www.signofthecrab.com
sales@signofthecrab.com
orders@signofthecrab.com