

# Strom Plumbing

BY  
Sign of  the Crab

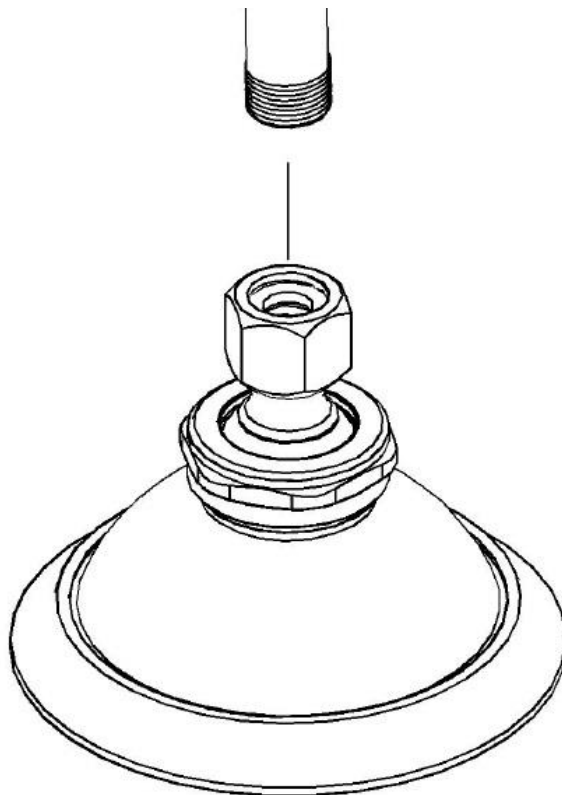
Ph: (916) 638-2722 / Fax: (916) 638-2725

## Installation Information

### Item #P0010

Warranted only if installed by a qualified licensed plumber.  
Use Teflon paste or tape on all threaded connections.

1. Thread the shower head onto the shower arm or riser and hand tighten.
2. Turn on the water to check for leaks.  
If leaks occur, carefully tighten the head using a wrench (wrap with duct tape to protect the finish of the product).



FAX 916-638-2725