

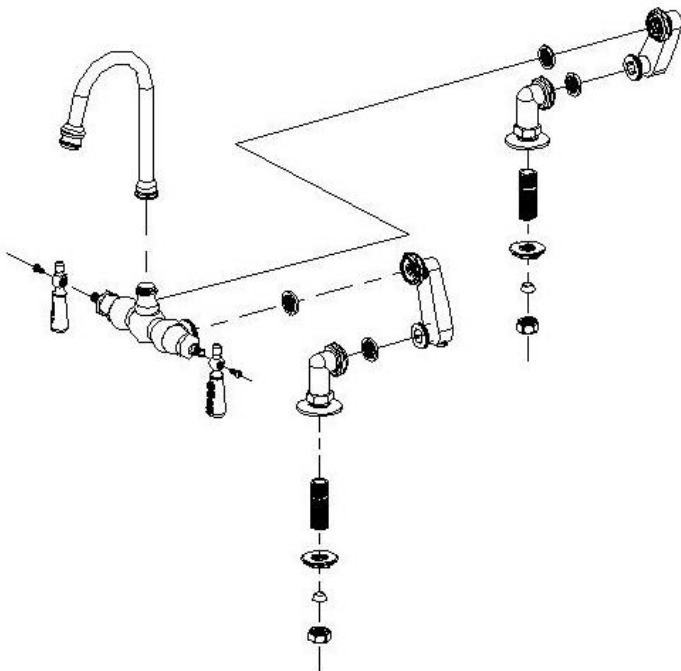
Installation Information

Item #P0712

Deck Mount Gooseneck Faucet with Variable Centers to 9" Maximum

Warranted only when installed by a qualified, licensed plumber. Please use Teflon tape on all threaded connections.

1. Shut off the water supply to the fixture before installation.
2. Connect the shorter threaded ends of the hook-up nipples to the deck mount couplers. Loosely attach the deck mount coupler nuts to the adjustable arm. Loosely tighten the swing arm coupler to the faucet body for adjusting the centers. Insert the faucet through the 2 holes in the deck. Screw the lock nuts onto the threaded nipples and tighten.
3. Tighten the nuts of the deck mount couplers to the faucet body.
4. Make no adjustments to valves or valve stems. They are tested at the factory for optimum performance.



Parts Included:

- Faucet Body
- Modified Swing Arm Couplers
- Deck Mount Couplers w/Screen Washers (pair)
- Nipple hook-up kit