

Strom Plumbing

BY
Sign of  the Crab

Ph: (916) 638-2722 / Fax: (916) 638-2725

Installation Information

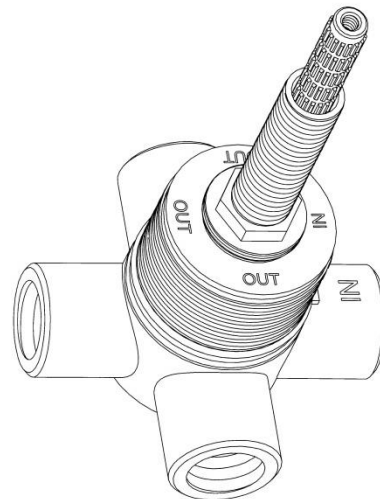
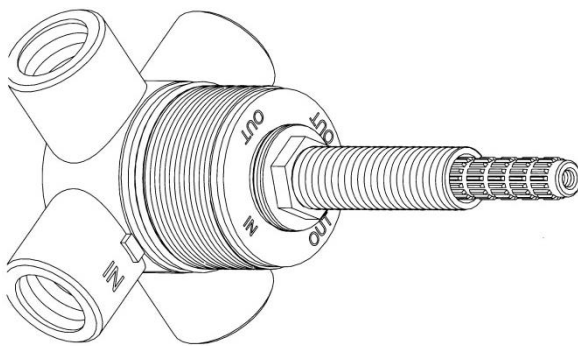
Diverter Valve with 2 or 3 Outlets

Attention

Warranted only if installed by a qualified licensed plumber. Before installing the valve, be sure to flush the supply pipes thoroughly to remove any remaining debris. Failure to carry out this procedure could cause problems or damage to the operation of the valve and will void the manufacturer's warranty.

Installing Valve:

- **IMPORTANT:** Double check that there is the correct amount of stem and threaded nipple exposed so that the escutcheon and handle will attach correctly after the finished wall is completed.
- Connect ½" IPS water supply to the bottom of the valve indicated by the "IN" position.
- Note the "OUT" positioning to determine the preferred placement functions of the water outlets. (ie: shower head or handheld shower)
- Support the valve and piping to stud framing according to local code requirements.
- A plug is included if only two functions are desired.
- If using with a two-handled shower system, this diverter valve cannot be installed in a straight horizontal line with the Hot & Cold Valves – must be offset.



Important: ALL EXCESSIVE HEAT SHALL BE A MINIMUM OF 4" FROM VALVE. If solder/brazing the fitting connections, pre-assemble adapter fitting to copper piping. Use Teflon tape or equivalent to seal the threaded joints.