

# Strom Plumbing

Sign of  the Crab

Ph: (916) 638-2722 / Fax: (916) 638-2725

## Installation Information

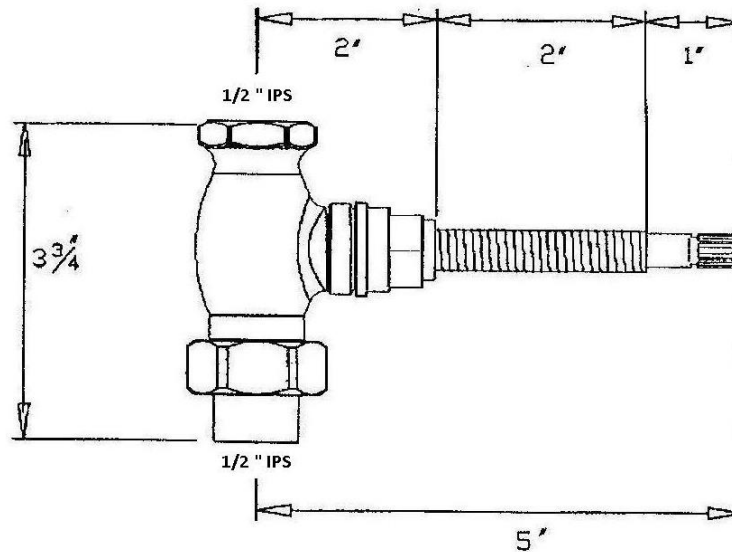
### Volume Control Valve

#### Attention

Warranted only if installed by a qualified licensed plumber. Before installing the valve, be sure to flush the supply pipes thoroughly to remove any remaining debris. Failure to carry out this procedure could cause problems or damage to the operation of the valve and will void the manufacturer's warranty.

#### Installing Valve:

- **IMPORTANT:** Double check that there is the correct amount of stem and threaded nipple exposed so that the escutcheon and handle will attach correctly after the finished wall is completed.
- Connect 1/2" IPS water supplies to the bottom of the valve where the union and large nut are located. Water flow direction is indicated by arrow on body.
- Support the valve and piping to stud framing according to local code requirements.



If solder/brazing the fitting connections, pre-assemble adapter fitting to copper piping. Use Teflon tape or equivalent to seal the threaded joints.

**Important: ALL EXCESSIVE HEAT SHALL BE A MINIMUM OF 4" FROM VALVE.**