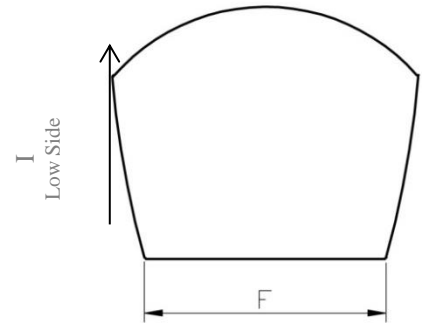
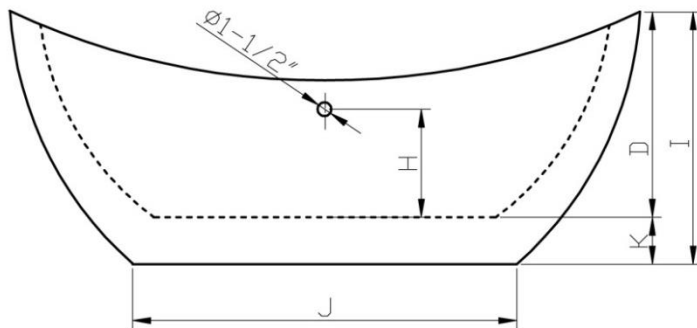
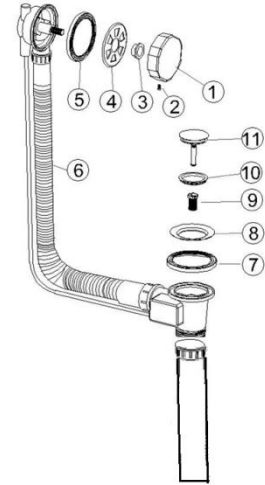
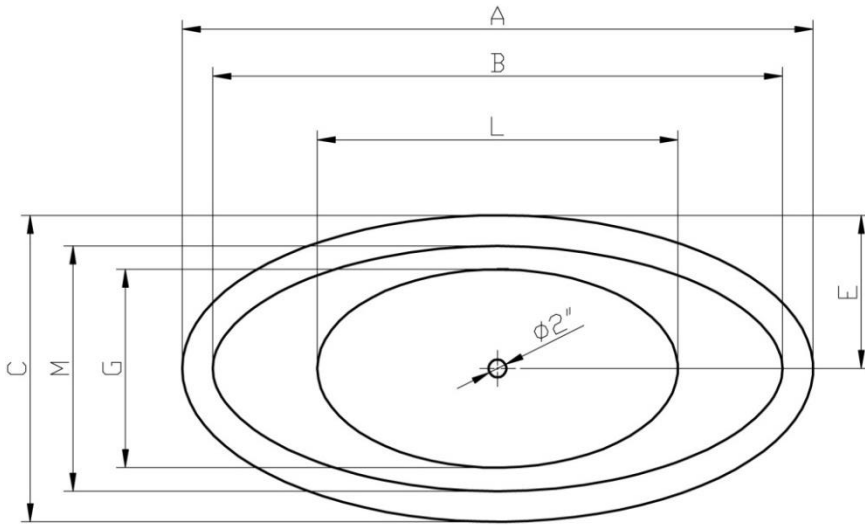


Strom Plumbing



Ph: (916) 638-2722 / Fax: (916) 638-2725

Tub Specifications –P1036 Acrylic Soaking Tub



	A	B	C	D	E	F	G	H	I	J	K	L	M	VOL/ GAL	WGHT
P1036	65"	58 1/4"	30 3/4"	21 1/2"	15 1/2"	21 1/4"	19"	11 1/2"	20 1/2" 26 1/4"	37 3/4"	4 3/4"	37 1/2" "	24"	31	91 lb

Please use a bead of silicone around the base of the tub to provide a seal between the tub and the floor, and to prevent the tub from moving.

SIGN OF THE CRAB, LLC