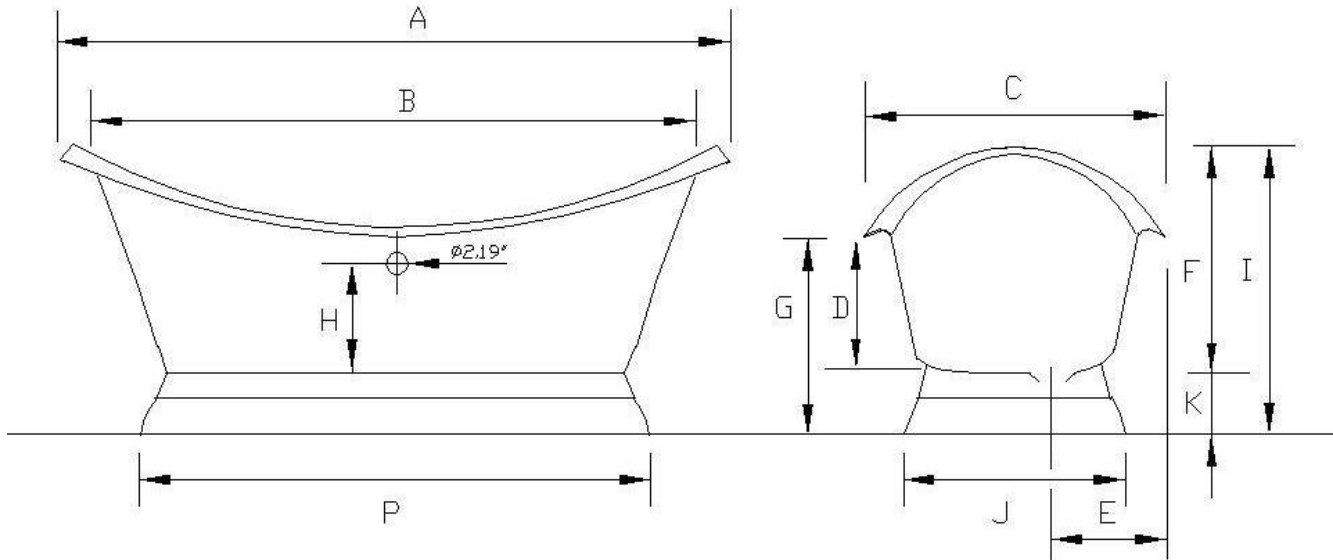
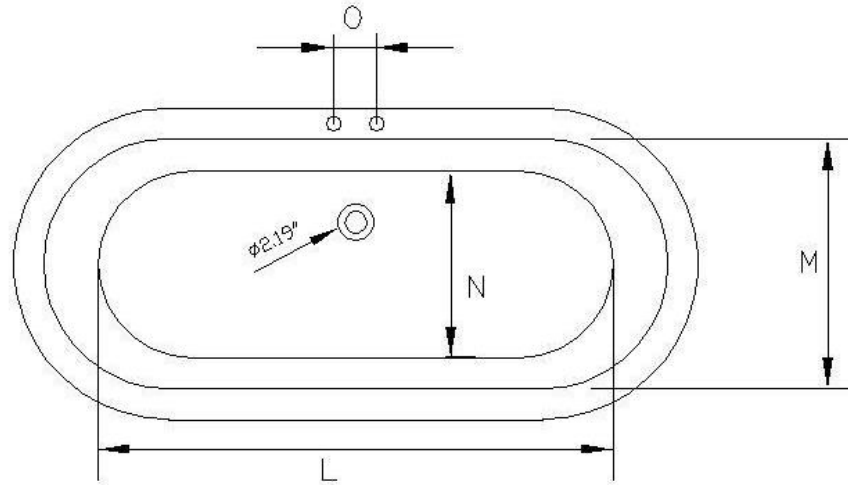


Strom Plumbing



Ph: (916) 638-2722 / Fax: (916) 638-2725

Tub Specifications – Acrylic Double Ended Crescent Tub on Pedestal



	A	B	C	D	E	F	G	H	I	J	K	L	M	N	O	P	VOL	WGHT
P0997	72"	66"	31.5"	15"	12"	26.2"	23.5"	12.5"	30"	22"	7.5"	34.6"	24"	15"	7"	43.5"	68 GAL	216/378
P0998	72"	66"	31.5"	15"	12"	26.2"	23.5"	12.5"	30"	22"	7.5"	34.6"	24"	15"	/	43.5"	68 GAL	216/378
P1163	72"	66"	31.5"	15"	12"	26.2"	23.5"	12.5"	30"	22"	7.5"	34.6"	24"	15"	7"	43.5"	68 GAL	216/378
P1164	72"	66"	31.5"	15"	12"	26.2"	23.5"	12.5"	30"	22"	7.5"	34.6"	24"	15"	/	43.5"	68 GAL	216/378

SIGN OF THE CRAB, LLC