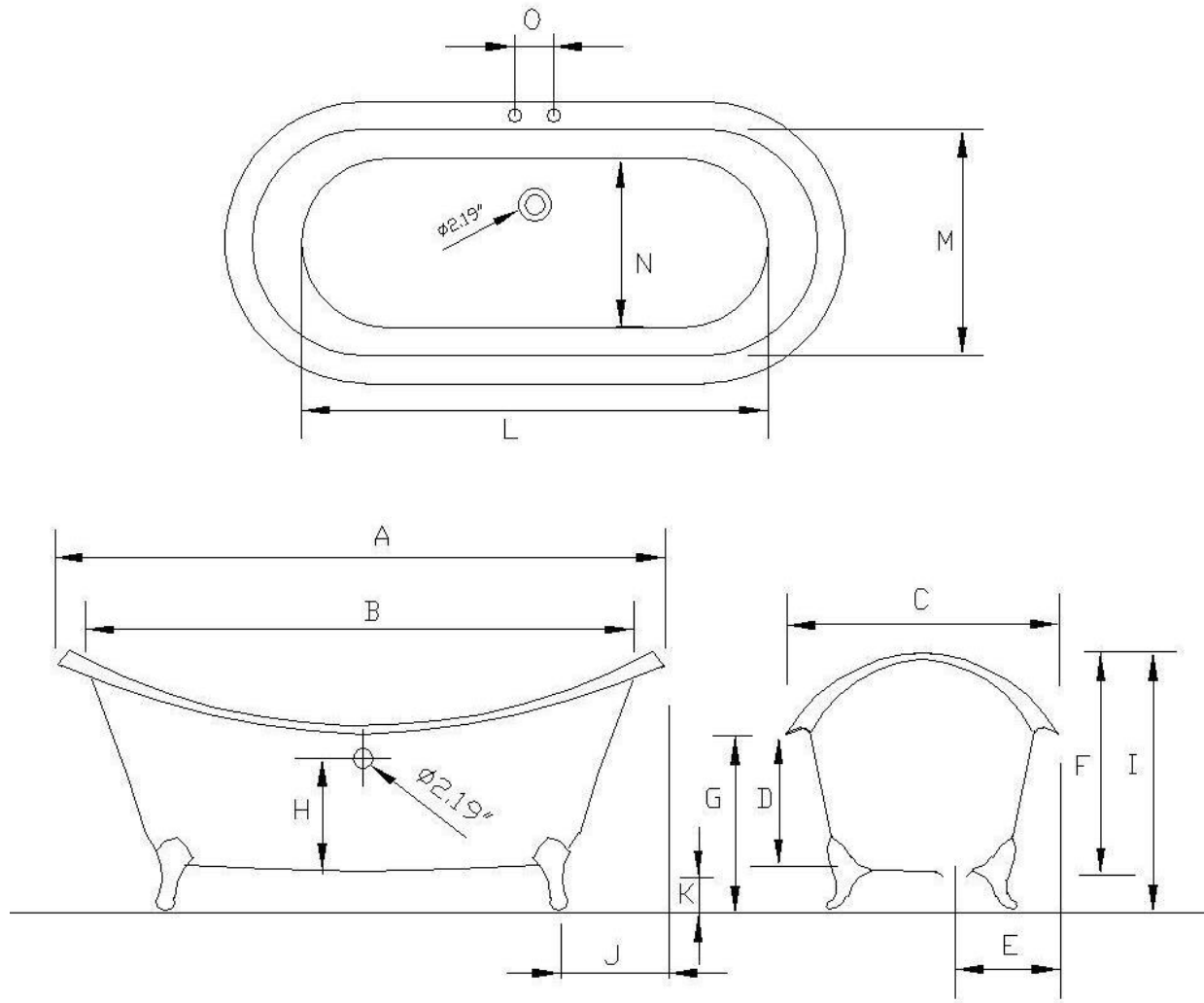


Strom Plumbing

BY
Sign of the Crab

Ph: (916) 638-2722 / Fax: (916) 638-2725

Tub Specifications – Acrylic Double Ended Crescent Tub on Legs



	A	B	C	D	E	F	G	H	I	J	K	L	M	N	O	VOL	WGHT
P0993	72"	66"	31.5"	15"	12"	25.7"	25"	13.7"	29.5"	20.75"	5.3"	34.6"	24"	15"	7"	68gal	226/388
P0994	72"	66"	31.5"	15"	12"	25.7"	25"	13.7"	29.5"	20.75"	5.3"	34.6"	24"	15"	/	68gal	226/388
P0995	72"	66"	31.5"	15"	12"	25.7"	25"	13.7"	29.5"	20.75"	5.3"	34.6"	24"	15"	7"	68gal	218/380
P0996	72"	66"	31.5"	15"	12"	25.7"	25"	13.7"	29.5"	20.75"	5.3"	34.6"	24"	15"	/	68gal	218/380
P1159	72"	66"	31.5"	15"	12"	25.7"	25"	13.7"	29.5"	20.75"	5.3"	34.6"	24"	15"	7"	68gal	226/388
P1160	72"	66"	31.5"	15"	12"	25.7"	25"	13.7"	29.5"	20.75"	5.3"	34.6"	24"	15"	/	68gal	226/388
P1161	72"	66"	31.5"	15"	12"	25.7"	25"	13.7"	29.5"	20.75"	5.3"	34.6"	24"	15"	7"	68gal	218/380
P1162	72"	66"	31.5"	15"	12"	25.7"	25"	13.7"	29.5"	20.75"	5.3"	34.6"	24"	15"	/	68gal	218/380

SIGN OF THE CRAB, LLC