

Strom Plumbing

BY

Sign of  the Crab

CANADIAN Suggested Retail Price List And Specifications & Measurements

For Catalog No. 1901
Effective July 1, 2018

Kanrep Norris Distribution

Prices are subject to change without notice. Unless price is protected in writing, shipments will be at the prevailing prices.

Kanrep Norris Distribution
42 Keefer Court, Unit 8
Hamilton, Ontario
Canada L8E 4V4
905-578-4505 / 1-800-793-2793
Fax 905-578-1040 / 1-800-315-4452
www.kanrep.ca
info@kanrep.ca

Warranty & Product Information

- **Faucet Construction**

Each item is individually assembled and tested in the United States. Our faucets are constructed with high quality, low lead brass. Our lavatory & kitchen faucets are lead free per California AB1953. They meet all current regulations with regard to lead composition.

- **Tubs**

Most of our cast iron tubs are IAPMO approved. Our tub legs are constructed of solid brass with chrome or nickel plating or with our electrostatically applied Supercoat or Oil Rubbed Bronze finish added. Our white and black tub legs are constructed of cast iron with premium paint added. All of our tubs include adhesive nonslip strips for the consumer to install if required. We only ship tubs & sinks (LTL Shipments) to the contiguous USA.

- **Valve Types**

All faucets will be shipped with 1/4 turn ceramic valves. Our 1/4 turn ceramic cartridge uses 2 ceramic disks that rotate to open and close the valve, minimizing mechanical wear. Thermostatic valves control the constant output temperature of the faucet.



- **CALGreen Compliant**

Products displaying this green crab symbol meet all requirements for the CALGreen code 4303.1.3.2



Products displaying this symbol are not for sale in California.

Tub Warranty

Our tubs are warranted to be free of manufacturing and finish defects for a period of 5 years from date of purchase, when properly installed by a qualified, licensed plumber. In most cases on-site repair of the tub will be accomplished, minimizing the inconvenience to the customer. Most of our Cast Iron tubs are IAPMO approved.

Faucet & Accessory Warranty

All items are warranted to be free of manufacturing and finish defects for a period of **5 years** from date of purchase, when properly installed by a qualified, licensed plumber. For items other than sinks & tubs, this warranty covers replacement of defective parts, not of complete product, unless deemed necessary by a customer service representative. The warranty does not extend to labor charges or air freight charges when repair or replacement of the item is needed. The warranty only applies to interior installations. Our products are not warranted for outdoor use.

Effective as of 2015, we now offer a **Limited Lifetime Warranty on our cartridges** for all of our faucets, for as long as the original purchaser owns the unit. We will provide new cartridges as deemed necessary by our Customer Service Department to the original owner only with provided proof of purchase.

All our **ceramic faucet handles** are warranted for 5 years from date of purchase. Any ceramic faucet handle developing cracks or chips will be promptly replaced, as a cracked or broken handle may result in personal injury.

Our **Finishes** include Chrome, Matte Nickel, Polished Nickel, Supercoat Brass, Oil Rubbed Bronze, Satin Black, Unlacquered Brass, Unlacquered Satin Brass & Unlacquered Raw Brass. The Nickel Finishes and the Unlacquered Brass finishes are "living finishes" and will patina with time. Chrome & Nickel finishes are warranted against defect for a period of 5 years. The Oil Rubbed Bronze & Satin Black finishes are "non-living" fragile finishes that must be inspected prior to installation and are not warranted further. The Unlacquered Brass finishes carry no finish warranty. See our Supercoat Brass finish warranty and proper cleaning instructions below.

Lifetime Supercoat Brass Warranty

Our Supercoating is a 2 part epoxy, applied electrostatically, and baked on our brass products to insure a lasting shine. It is absolutely guaranteed for as long as the original purchaser owns their home and proper maintenance instructions are followed. The product must be returned to our factory for re-coating. We will re-coat, not replace the product if a defect of the Supercoat finish occurs.

Care of Supercoat Brass - Supercoat brass items should be wiped gently with a soft cloth after each use. Plumber's putty should not be used for installation. Use of plumber's putty, detergents or abrasive cleaners will void the warranty of the finish as they may cause deterioration of the coating. We recommend a bead of waterproof silicone where putty is needed.

Installation Instructions

Installation instructions are included with every faucet and are also available on our website at www.signofthecrab.com.

Price Changes

Prices and products are subject to change without notice. Unless price is protected in writing, shipment will be at prevailing prices.

We only sell wholesale to qualifying trade accounts.

Suggested Retail Price List Catalog No. 1901

GB - P Items		GB0282C - P0008M	
ITEM #	DESCRIPTION	PG	PRICE
CATALOG	STROM PLUMBING BY SOTC CATALOG & PRICE LIST		32.00
GB0282C	CHROME SHOWER CURTAIN END, PAIR, 2 1/4" DIA, TAKES 1" TUBING	126	84.00
GB0282M	GB0282 MATTE NICKEL	126	91.00
GB0282N	GB0282 POLISHED NICKEL	126	84.00
GB0282S	GB0282 SUPERCOATED BRASS	126	84.00
GB0282Z	GB0282 OIL RUBBED BRONZE	126	91.00
GB0283C	CHROME SHOWER CURTAIN ROD, 1" X 6' (2 PC)	126	189.00
GB0283M	GB0283 MATTE NICKEL	126	207.00
GB0283N	GB0283 POLISHED NICKEL	126	189.00
GB0283S	GB0283 SUPERCOATED BRASS	126	189.00
GB0283Z	GB0283 OIL RUBBED BRONZE	126	207.00
M4310C	CHROME INLET ASSEMBLY PAIR, 3/4" IPS WATER SUPPLY HOOKUP	44	88.00
M4310M	M4310 MATTE NICKEL	44	104.00
M4310N	M4310 POLISHED NICKEL	44	88.00
M4310S	M4310 SUPERCOATED BRASS	44	88.00
M4310Z	M4310 OIL RUBBED BRONZE	44	104.00
P0001C	CHROME LAVATORY DRAIN WITH EASY LIFT STOPPER, 6 3/4" x 1 1/4" DIA TUBE	137	62.00
P0001M	P0001 MATTE NICKEL	137	70.00
P0001N	P0001 POLISHED NICKEL	137	62.00
P0001S	P0001 SUPERCOATED BRASS	137	70.00
P0001Z	P0001 OIL RUBBED BRONZE	137	70.00
P0002C	CHROME LAVATORY DRAIN W/CHAIN & STOPPER, 10 1/4" x 1 1/4" DIA TUBE	137	130.00
P0002M	P0002 MATTE NICKEL	137	136.00
P0002N	P0002 POLISHED NICKEL	137	130.00
P0002S	P0002 SUPERCOATED BRASS	137	130.00
P0002Z	P0002 OIL RUBBED BRONZE	137	141.00
P0004C	CHROME CHAIN STAY, 2" DIAMETER BASE, WITH CHAIN AND STOPPER	102	58.00
P0004S	P0004 SUPERCOATED BRASS	102	58.00
P0006C	CHROME 3 3/8" CTR LEG TUB FAUCET W/DIVERTER FOR SHOWER RISER OR HANDHELD SHOWER SET.	102	598.00
P0006M	P0006 MATTE NICKEL	102	645.00
P0006N	P0006 POLISHED NICKEL	102	598.00
P0006S	P0006 SUPERCOATED BRASS	102	630.00
P0007BEC	CHROME TURN & LIFT WASTE/OVERFLOW, WASTE IS 12" FROM" T", OVERFLOW IS 16" FROM" T", FLOOR ESC 2 1/2" DIA, OVERFLOW AND DRAIN FLANGE 3" DIA, WILL FIT MOST LEG TUBS MANUFACTURED FROM 1900 ON	80	448.00
P0007BEM	P0007BE MATTE NICKEL	80	491.00
P0007BEN	P0007BE POLISHED NICKEL	80	448.00
P0007BES	P0007BE SUPERCOATED BRASS	80	565.00
P0007BEZ	P0007BE OIL RUBBED BRONZE	80	501.00
P0007EC	CHROME CHAIN & STOPPER WASTE/OVERFLOW, WASTE IS 12" FROM" T", OVERFLOW IS 16" FROM" T", FLOOR ESC 2 1/2" DIA, OVERFLOW AND DRAIN FLANGE 3" DIA, WILL FIT MOST LEG TUBS MANUFACTURED FROM 1900 ON	80	434.00
P0007EM	P0007E MATTE NICKEL	80	476.00
P0007EN	P0007E POLISHED NICKEL	80	434.00
P0007ES	P0007E SUPERCOATED BRASS	80	543.00
P0007EZ	P0007E OIL RUBBED BRONZE	80	477.00
P0007TEC	CHROME TOE TOUCH WASTE/OVERFLOW, WASTE IS 12" FROM" T", OVERFLOW IS 16" FROM" T", FLOOR ESC 2 1/2" DIA, OVERFLOW AND DRAIN FLANGE 3" DIA, WILL FIT MOST LEG TUBS MANUFACTURED FROM 1900 ON	80	448.00
P0007TEM	P0007TE MATTE NICKEL	80	476.00
P0007TEN	P0007TE POLISHED NICKEL	80	448.00
P0007TES	P0007TE SUPERCOATED BRASS	80	548.00
P0007TEZ	P0007TE OIL RUBBED BRONZE	80	484.00
P0008C	CHROME SHOWER ENCLOSURE, 45" X 25", 3/4" OD, INCLUDES 12" & 36" BRACES	84	609.00
P0008M	P0008 MATTE NICKEL	84	725.00

P Items - P Items		P0008N - P0013S	
ITEM #	DESCRIPTION	PG	PRICE
P0008N	P0008 POLISHED NICKEL	84	609.00
P0008S	P0008 SUPERCOATED BRASS	84	609.00
P0008Z	P0008 OIL RUBBED BRONZE	84	701.00
P0008EXTC	CHROME SHOWER ENCLOSURE, 57" X 31", 3/4" OD, INCLUDES 12" & 36" BRACES	84	663.00
P0008EXTM	P0008EXT MATTE NICKEL	84	809.00
P0008EXTN	P0008EXT POLISHED NICKEL	84	663.00
P0008EXTS	P0008EXT SUPERCOATED BRASS	84	663.00
P0008EXTZ	P0008EXT OIL RUBBED BRONZE	84	809.00
P0008-2C	CHROME BRACE COUPLER NUT, USE THIS WITH P0008 BRACE THREADED AT BOTH ENDS TO LENGTHEN BRACES INCLUDED IN P0008 ENCLOSURE	85	22.00
P0008-2M	P0008-2 MATTE NICKEL	85	24.00
P0008-2N	P0008-2 POLISHED NICKEL	85	22.00
P0008-2S	P0008-2 SUPERCOATED BRASS	85	22.00
P0008-2Z	P0008-2 OIL RUBBED BRONZE	85	24.00
P0008-12C	CHROME 12" BRACE W/ESC & 3/4" C-CLAMP	85	95.00
P0008-12M	MATTE NICKEL 12" BRACE W/ESC & 3/4" C-CLAMP	85	108.00
P0008-12N	POLISHED NICKEL 12" BRACE W/ESC & 3/4" C-CLAMP	85	95.00
P0008-12S	SUPERCOATED BRASS 12" BRACE W/ESC & 3/4" C-CLAMP	85	95.00
P0008-12Z	OIL RUBBED BRONZE 12" BRACE W/ESC & 3/4" C-CLAMP	85	104.00
P0008-36C	CHROME 36" BRACE W/ESC & 3/4" C-CLAMP	85	123.00
P0008-36M	MATTE NICKEL 36" BRACE W/ESC & 3/4" C-CLAMP	85	143.00
P0008-36N	POLISHED NICKEL 36" BRACE W/ESC & 3/4" C-CLAMP	85	123.00
P0008-36S	SUPERCOATED BRASS 36" BRACE W/ESC & 3/4" C-CLAMP	85	123.00
P0008-36Z	OIL RUBBED BRONZE 36" BRACE W/ESC & 3/4" C-CLAMP	85	143.00
P0008-48C	CHROME 48" BRACE W/ESC & 3/4" C-CLAMP	85	145.00
P0008-48M	MATTE NICKEL 48" BRACE W/ESC & 3/4" C-CLAMP	85	157.00
P0008-48N	POLISHED NICKEL 48" BRACE W/ESC & 3/4" C-CLAMP	85	145.00
P0008-48S	SUPERCOATED BRASS 48" BRACE W/ESC & 3/4" C-CLAMP	85	145.00
P0008-48Z	OIL RUBBED BRONZE 48" BRACE W/ESC & 3/4" C-CLAMP	85	157.00
P0009C	CHROME SHOWER RISER WITH 10" GOOSENECK PROJECTION, HEIGHT OVER 5 FEET, 5/8" OD TUBING, 37" TOP, 27" BOTTOM, 1/2" IPS SHOWER HEAD CONNECTION	36	215.00
P0009M	P0009 MATTE NICKEL	36	237.00
P0009N	P0009 POLISHED NICKEL	36	215.00
P0009S	P0009 SUPERCOATED BRASS	36	215.00
P0009Z	P0009 OIL RUBBED BRONZE	36	245.00
P0010C	CHROME SHOWER HEAD, 1/2" IPS, 4 7/8" DIAMETER	116	206.00
P0010M	P0010 MATTE NICKEL	116	232.00
P0010N	P0010 POLISHED NICKEL	116	206.00
P0010S	P0010 SUPERCOATED BRASS	116	206.00
P0010Z	P0010 OIL RUBBED BRONZE	116	244.00
P0012C	CHROME FAUCET SET, 4 1/2" HIGH, 4" EXTENSION	102	468.00
P0012M	P0012 MATTE NICKEL	102	498.00
P0012N	P0012 POLISHED NICKEL	102	468.00
P0012S	P0012 SUPERCOATED BRASS	102	468.00
P0012Z	P0012 OIL RUBBED BRONZE	102	498.00
P0012XC	CHROME FAUCET SET, W/PORCELAIN CROSS POINT HANDLES.	102	461.00
P0012XS	P0012X SUPERCOATED BRASS	102	461.00
P0013C	CHROME LAVATORY SET, 6" HIGH, 5 3/4" EXTENSION, W/CHAIN & STOPPER	103	650.00
P0013S	P0013 SUPERCOATED BRASS	103	650.00

Suggested Retail Price List Catalog No. 1901

P Items - P Items

P0026C – P0055S

ITEM #	DESCRIPTION	PG	PRICE
P0026C	CHROME 4" SHOWER RISER HOLDER, FITS 5/8" OD TUBE	85	84.00
P0026M	P0026 MATTE NICKEL	85	93.00
P0026N	P0026 POLISHED NICKEL	85	84.00
P0026S	P0026 SUPERCOATED BRASS	85	84.00
P0026Z	P0026 OIL RUBBED BRONZE	85	97.00
P0026-12C	CHROME 12" SHOWER RISER HOLDER, FITS 5/8" OD TUBE	85	101.00
P0026-12M	P0026-12 MATTE NICKEL	85	114.00
P0026-12N	P0026-12 POLISHED NICKEL	85	101.00
P0026-12S	P0026-12 SUPERCOATED BRASS	85	101.00
P0026-12Z	P0026-12 OIL RUBBED BRONZE	85	114.00
P0026-24C	CHROME 24" SHOWER RISER HOLDER, FITS 5/8" DIA TUBE	85	139.00
P0026-24M	P0026-24 MATTE NICKEL	85	156.00
P0026-24N	P0026-24 POLISHED NICKEL	85	139.00
P0026-24S	P0026-24 SUPERCOATED BRASS	85	139.00
P0026-24Z	P0026-24 OIL RUBBED BRONZE	85	149.00
P0034C	CHROME SHOWER ENCLOSURE SET, INCLUDES FAUCET, RISER, 45" x 25" ENCLOSURE & SHOWER HEAD	39	1,578.00
P0034M	P0034 MATTE NICKEL	39	1,773.00
P0034N	P0034 POLISHED NICKEL	39	1,578.00
P0034S	P0034 SUPERCOATED BRASS	39	1,660.00
P0034EXTC	CHROME SHOWER ENCLOSURE SET INCLUDES FAUCET, RISER, EXTENDED 57" X 31" ENCLOSURE & SHOWER HEAD	39	1,632.00
P0034EXTM	P0034EXT MATTE NICKEL	39	1,856.00
P0034EXTN	P0034EXT POLISHED NICKEL	39	1,632.00
P0034EXTS	P0034EXT SUPERCOATED BRASS	39	1,714.00
P0036C	CHROME SHOWER HEAD W/ARM & ESCUTCHEON	116	246.00
P0036M	P0036 MATTE NICKEL	116	273.00
P0036N	P0036 POLISHED NICKEL	116	246.00
P0036S	P0036 SUPERCOATED BRASS	116	246.00
P0036Z	P0036 OIL RUBBED BRONZE	116	291.00
P0037C	CHROME TUB LEGS, SET OF 4, 9 1/2"H, TUB SITS 6" FROM FLOOR, FITS MOST LEG TUBS	83	732.00
P0037M	P0037 MATTE NICKEL	83	732.00
P0037N	P0037 POLISHED NICKEL	83	732.00
P0037S	P0037 SUPERCOATED BRASS	83	732.00
P0037W	P0037 CAST IRON, PAINTED WHITE	83	389.00
P0037Z	P0037 OIL RUBBED BRONZE	83	732.00
P0053C	CHROME ANGLE STOP, 1/2" SLIPJOINT X 1/2" IPS	137	88.00
P0053M	P0053 MATTE NICKEL	137	94.00
P0053N	P0053 POLISHED NICKEL	137	88.00
P0053S	P0053 SUPERCOATED BRASS	137	88.00
P0053Z	P0053 OIL RUBBED BRONZE	137	94.00
P0053PC	CHROME ANGLE STOP, 1/2" SLIPJOINT x 1/2" IPS WITH PORCELAIN HANDLE. SPECIFY HOT OR COLD	137	104.00
P0053PS	P0053P SUPERCOATED BRASS	137	104.00
P0053XC	CHROME ANGLE STOP, 1/2" SLIPJOINT x 1/2" IPS W/X-POINT HANDLE. SPECIFY HOT OR COLD	137	108.00
P0053XM	P0053X MATTE NICKEL	137	119.00
P0053XN	P0053X POLISHED NICKEL	137	108.00
P0053XS	P0053X SUPERCOATED BRASS	137	108.00
P0053XZ	P0053X OIL RUBBED BRONZE	137	120.00
P0054C	CHROME FLEX SUPPLY TUBE, 20" LONG, 1/2" TUBING, FLEX 6" LONG, 1/2" IPS FEMALE CONNECTION	137	43.00
P0054M	P0054 MATTE NICKEL	137	50.00
P0054N	P0054 POLISHED NICKEL	137	43.00
P0054S	P0054 SUPERCOATED BRASS	137	43.00
P0054Z	P0054 OIL RUBBED BRONZE	137	50.00
P0055C	CHROME STRAIGHT STOP, 1/2" IPS X 1/2" SLIP JOINT	137	90.00
P0055M	P0055 MATTE NICKEL	137	101.00
P0055N	P0055 POLISHED NICKEL	137	90.00
P0055S	P0055 SUPERCOATED BRASS	137	90.00

P Items – P Items

P0055Z – P0070M

ITEM #	DESCRIPTION	PG	PRICE
P0055Z	P0055 OIL RUBBED BRONZE	137	101.00
P0055PC	CHROME STRAIGHT STOP, 1/2" IPS X 1/2" SLIP JOINT W/PORCELAIN HANDLE SPECIFY HOT OR COLD	137	106.00
P0055PS	P0055P SUPERCOATED BRASS	137	106.00
P0055XC	CHROME STRAIGHT STOP, 1/2" IPS X 1/2" SLIP JOINT W/X-POINT HANDLE SPECIFY HOT OR COLD	137	112.00
P0055XM	P0055X MATTE NICKEL	137	125.00
P0055XN	P0055X POLISHED NICKEL	137	112.00
P0055XS	P0055X SUPERCOATED BRASS	137	112.00
P0055XZ	P0055X OIL RUBBED BRONZE	137	125.00
P0056C	CHROME ANGLE STOP, 1/2" COPPER COMPRESSION X 1/2" COMP	137	93.00
P0056M	P0056 MATTE NICKEL	137	100.00
P0056N	P0056 POLISHED NICKEL	137	93.00
P0056S	P0056 SUPERCOATED BRASS	137	93.00
P0056Z	P0056 OIL RUBBED BRONZE	137	100.00
P0056PC	CHROME ANGLE STOP, 1/2" COPPER COMPRESSION X 1/2" COMP W/PORCELAIN HANDLE. SPECIFY HOT OR COLD	137	111.00
P0056PS	P0056P SUPERCOATED BRASS	137	111.00
P0056XC	CHROME ANGLE STOP, 1/2" COPPER COMPRESSION X 1/2" COMP W/X-POINT HANDLE. SPECIFY HOT OR COLD	137	113.00
P0056XM	P0056X MATTE NICKEL	137	125.00
P0056XN	P0056X POLISHED NICKEL	137	113.00
P0056XS	P0056X SUPERCOATED BRASS	137	113.00
P0056XZ	P0056X OIL RUBBED BRONZE	137	125.00
P0058C	CHROME FAUCET SET, 4" TALL, 3 1/2" WIDE, BASE 2 3/8" WIDE, EXTENDS 5"	103	616.00
P0058S	P0058 SUPERCOATED BRASS	103	616.00
P0063C	CHROME ADAPTOR NUT, 1/2" IPS MALE X 3/4" IPS FEMALE.	137	20.00
P0063M	P0063 MATTE NICKEL	137	22.00
P0063N	P0063 POLISHED NICKEL	137	20.00
P0063S	P0063 SUPERCOATED BRASS	137	20.00
P0063Z	P0063 OIL RUBBED BRONZE	137	22.00
P0064HC	CHROME DECO STYLE ESCUTCHEON, FITS 1/2" IPS PIPE	137	13.00
P0064HM	P0064H MATTE NICKEL	137	15.00
P0064HN	P0064H POLISHED NICKEL	137	13.00
P0064HS	P0064H SUPERCOATED BRASS	137	13.00
P0065C	CHROME ESCUTCHEON, 2 1/2" DIA, 5/8" HOLE, FITS 1/2" COPPER PIPE	137	13.00
P0065M	P0065 MATTE NICKEL	137	15.00
P0065N	P0065 POLISHED NICKEL	137	13.00
P0065S	P0065 SUPERCOATED BRASS	137	13.00
P0065Z	P0065 OIL RUBBED BRONZE	137	15.00
P0068C	CHROME DIVERTER FOR HAND SHOWER, FITS BETWEEN SHOWER HEAD & ARM TO ADD HANDHELD SHOWER	137	53.00
P0068M	P0068 MATTE NICKEL	137	63.00
P0068N	P0068 POLISHED NICKEL	137	57.00
P0068S	P0068 SUPERCOATED BRASS	137	57.00
P0068Z	P0068 OIL RUBBED BRONZE	137	63.00
P0068KITC	CHROME DIVERTER KIT FOR HANDHELD SHOWER	137	109.00
P0068KITM	P0068KIT MATTE NICKEL	137	121.00
P0068KITN	P0068KIT POLISHED NICKEL	137	113.00
P0068KITS	P0068KIT SUPERCOATED BRASS	137	113.00
P0068KITZ	P0068KIT OIL RUBBED BRONZE	137	121.00
P0069C	CHROME L SHAPED BAR, 36" X 7", EXPANDED END TO ACCEPT 1"	126	124.00
P0069M	P0069 MATTE NICKEL	126	141.00
P0069N	P0069 POLISHED NICKEL	126	124.00
P0069S	P0069 SUPERCOATED BRASS	126	124.00
P0069Z	P0069 OIL RUBBED BRONZE	126	141.00
P0070C	CHROME RING SUPPORT PAIR, FITS 1" TUBES	126	68.00
P0070M	P0070 MATTE NICKEL	126	77.00

Suggested Retail Price List Catalog No. 1901

P Items - P Items		P0070N – P0092C	
ITEM #	DESCRIPTION	PG	PRICE
P0070N	P0070 POLISHED NICKEL	126	68.00
P0070S	P0070 SUPERCOATED BRASS	126	68.00
P0070Z	P0070 OIL RUBBED BRONZE	126	80.00
P0071C	CHROME WALL MOUNT BRACKET PAIR, FITS 1" TUBING	126	134.00
P0071M	P0071 MATTE NICKEL	126	146.00
P0071N	P0071 POLISHED NICKEL	126	134.00
P0071S	P0071 SUPERCOATED BRASS	126	134.00
P0071Z	P0071 OIL RUBBED BRONZE	126	149.00
P0079C	CHROME MISSISSIPPI TUB SPOUT, 5 3/4" LG., 3/4" IPS FEMALE CONNECTION	117	141.00
P0079M	P0079 MATTE NICKEL	117	151.00
P0079N	P0079 POLISHED NICKEL	117	141.00
P0079S	P0079 SUPERCOATED BRASS	117	141.00
P0080C	CHROME SACRAMENTO TUB SPOUT, 5 3/4" LONG, 2 7/8" DIAMETER, 3/4" IPS FEMALE CONNECTION	117	156.00
P0080M	P0080 MATTE NICKEL	117	165.00
P0080N	P0080 POLISHED NICKEL	117	156.00
P0080S	P0080 SUPERCOATED BRASS	117	156.00
P0080Z	P0080 OIL RUBBED BRONZE	117	165.00
P0082C	CHROME DEEP ESCUTCHEON 1 5/8" TALL x 3" DIA FITS 1 1/2" TUBE	137	27.00
P0082M	P0082 MATTE NICKEL	137	31.00
P0082N	P0082 POLISHED NICKEL	137	27.00
P0082S	P0082 SUPERCOATED BRASS	137	27.00
P0082Z	P0082 OIL RUBBED BRONZE	137	31.00
P0085C	CHROME POP-UP DRAIN, 1 1/4" DIA DRAIN TUBE	137	71.00
P0085M	P0085 MATTE NICKEL	137	94.00
P0085N	P0085 POLISHED NICKEL	137	71.00
P0085S	P0085 SUPERCOATED BRASS	137	71.00
P0085Z	P0085 OIL RUBBED BRONZE	137	94.00
P0086C	CHROME 3" DIA SHOWER HEAD W/ARM AND ESCUTCHEON	116	188.00
P0086M	P0086 MATTE NICKEL	116	256.00
P0086N	P0086 POLISHED NICKEL	116	188.00
P0086S	P0086 SUPERCOATED BRASS	116	241.00
P0086Z	P0086 OIL RUBBED BRONZE	116	256.00
P0086AC	CHROME 5 1/2" SHOWER ARM ONLY, 1/2" IPS CONNECTION	116	29.00
P0086AM	P0086A MATTE NICKEL	116	32.00
P0086AN	P0086A POLISHED NICKEL	116	29.00
P0086AS	P0086A SUPERCOATED BRASS	116	29.00
P0086AZ	P0086A OIL RUBBED BRONZE	116	32.00
P0086EC	CHROME SHOWER ARM ESCUTCHEON ONLY, 2 1/2" DIA, 7/8" HOLE	137	12.00
P0086EM	P0086E MATTE NICKEL	137	14.00
P0086EN	P0086E POLISHED NICKEL	137	12.00
P0086ES	P0086E SUPERCOATED BRASS	137	12.00
P0086EZ	P0086E OIL RUBBED BRONZE	137	15.00
P0086HC	CHROME P0086 3" DIA SHOWER HEAD ONLY	116	147.00
P0086HM	P0086H MATTE NICKEL	116	209.00
P0086HN	P0086H POLISHED NICKEL	116	147.00
P0086HS	P0086H SUPERCOATED BRASS	116	200.00
P0086HZ	P0086H OIL RUBBED BRONZE	116	209.00
P0087C	CHROME 90 DEGREE ELBOW FOR P08 BRACE, FITS 3/8" IPS & 1/2" OD ROD	85	20.00
P0087M	P0087 MATTE NICKEL	85	22.00
P0087N	P0087 POLISHED NICKEL	85	20.00
P0087S	P0087 SUPERCOATED BRASS	85	20.00
P0087Z	P0087 OIL RUBBED BRONZE	85	22.00
P0091C	CHROME L RING PACKAGE, 3' x 6' 1" DIA TUBING. INCLUDES P0095-36" BRACE, P71 PR, GB283 2 PC ROD, P0069	126	613.00
P0091M	P0091 MATTE NICKEL	126	685.00
P0091N	P0091 POLISHED NICKEL	126	613.00
P0091S	P0091 SUPERCOATED BRASS	126	613.00
P0091Z	P0091 OIL RUBBED BRONZE	126	685.00
P0092C	CHROME C RING PACKAGE, 3' x 6', 1" DIA TUBING. INCLUDES P0095-36" BRACE, 2-P69, 1-P71 PAIR & 1-GB283 2 PC ROD	126	736.00

P Items - P Items		P0092M – P0140Z	
ITEM #	DESCRIPTION	PG	PRICE
P0092M	P0092 MATTE NICKEL	126	826.00
P0092N	P0092 POLISHED NICKEL	126	736.00
P0092S	P0092 SUPERCOATED BRASS	126	736.00
P0092Z	P0092 OIL RUBBED BRONZE	126	834.00
P0093C	CHROME D RING PKG, 3' x 6', 1" DIA TUBING. INCLUDES P0095-36" BRACE, 2-P69,1-P70 PR,1-P71 PR & 2-GB283 2 PC ROD	126	993.00
P0093M	P0093 MATTE NICKEL	126	1,112.00
P0093N	P0093 POLISHED NICKEL	126	993.00
P0093S	P0093 SUPERCOATED BRASS	126	993.00
P0093Z	P0093 OIL RUBBED BRONZE	126	1,112.00
P0094C	CHROME SHOWER ROD PACKAGE, 6', CAN BE CUT TO SIZE, INCLUDES 1-GB282 PAIR & 1-GB283 2 PC ROD	126	272.00
P0094M	P0094 MATTE NICKEL	126	297.00
P0094N	P0094 POLISHED NICKEL	126	272.00
P0094S	P0094 SUPERCOATED BRASS	126	272.00
P0094Z	P0094 OIL RUBBED BRONZE	126	297.00
P0095-36C	CHROME 36" BRACE FOR 1" DIA TUBING	126	167.00
P0095-36M	P0095-36 MATTE NICKEL	126	189.00
P0095-36N	P0095-36 POLISHED NICKEL	126	167.00
P0095-36S	P0095-36 SUPERCOATED BRASS	126	167.00
P0095-36Z	P0095-36 OIL RUBBED BRONZE	126	189.00
P0097C	CHROME P TRAP 1 1/2" X 1 1/4", 11" LONG, WITH DEEP ESCUTCHEON	127	104.00
P0097M	P0097 MATTE NICKEL	127	116.00
P0097N	P0097 POLISHED NICKEL	127	104.00
P0097S	P0097 SUPERCOATED BRASS	127	104.00
P0097Z	P0097 OIL RUBBED BRONZE	127	116.00
P0099C	CHROME DECO ESC, 2 7/8" DIA	136	46.00
P0099M	P0099 MATTE NICKEL	136	52.00
P0099N	P0099 POLISHED NICKEL	136	46.00
P0099S	P0099 SUPERCOATED BRASS	136	46.00
P0099Z	P0099 OIL RUBBED BRONZE	136	52.00
P0100RC	CHROME ESCUTCHEON NUT	136	9.00
P0100RM	P0100R MATTE NICKEL	136	13.00
P0100RN	P0100R POLISHED NICKEL	136	9.00
P0100RS	P0100R SUPERCOATED BRASS	136	9.00
P0100RZ	P0100R OIL RUBBED BRONZE	136	13.00
P0104C	CHROME SACRAMENTO WIDESPREAD LAV SET INCLUDES SPOUT W/RING (5" L, 4 7/8" HIGH), VALVES, LEVER HANDLES, ESC & POP-UP DRAIN	86	910.00
P0104M	P0104 MATTE NICKEL	86	972.00
P0104N	P0104 POLISHED NICKEL	86	910.00
P0104S	P0104 SUPERCOATED BRASS	86	916.00
P0104Z	P0104 OIL RUBBED BRONZE	86	972.00
P0105C	CHROME SACRAMENTO TUB SET, 5 3/4" SPOUT, 8" CENTERS	87	739.00
P0105M	P0105 MATTE NICKEL	87	771.00
P0105N	P0105 POLISHED NICKEL	87	739.00
P0105S	P0105 SUPERCOATED BRASS	87	736.00
P0105Z	P0105 OIL RUBBED BRONZE	87	771.00
P0112C	CHROME SACRAMENTO SHOWER SET, 8" CENTERS	87	770.00
P0112M	P0112 MATTE NICKEL	87	862.00
P0112N	P0112 POLISHED NICKEL	87	770.00
P0112S	P0112 SUPERCOATED BRASS	87	820.00
P0112Z	P0112 OIL RUBBED BRONZE	87	862.00
P0126C	CHROME LEG TUB FAUCET W/GOOSENECK SPOUT, 9 3/4" HIGH, 5 1/2" W	51	585.00
P0126S	P0126 SUPERCOATED BRASS	51	585.00
P0140C	CHROME SACRAMENTO WIDESPREAD LAV SET INCLUDES SPOUT W/RING (5" L, 4 7/8" HIGH), VALVES, X-PT) HANDLES, ESC & POP-UP DRAIN	86	940.00
P0140M	P0140 MATTE NICKEL	86	1,012.00
P0140N	P0140 POLISHED NICKEL	86	940.00
P0140S	P0140 SUPERCOATED BRASS	86	946.00
P0140Z	P0140 OIL RUBBED BRONZE	86	1,012.00

Suggested Retail Price List Catalog No. 1901

P Items - P Items		P0144C - P0154S	
ITEM #	DESCRIPTION	PG	PRICE
P0144C	CHROME HANDHELD SHOWER WITH 5' HOSE, INCLUDES VACUUM BREAKER	117	211.00
P0144M	P0144 MATTE NICKEL	117	239.00
P0144N	P0144 POLISHED NICKEL	117	211.00
P0144S	P0144 SUPERCOATED BRASS	117	239.00
P0144Z	P0144 OIL RUBBED BRONZE	117	302.00
P0144-1C	CHROME 5' HOSE ONLY, 1/2" IPS x 1/2" IPS CONNECTIONS	117	83.00
P0144-1M	P0144-1 MATTE NICKEL	117	111.00
P0144-1N	P0144-1 POLISHED NICKEL	117	90.00
P0144-1S	P0144-1 SUPERCOATED BRASS	117	92.00
P0144-1Z	P0144-1 OIL RUBBED BRONZE	117	131.00
P0144AC	CHROME ADJUSTABLE BRACKET FOR HANDHELD SHOWER	117	160.00
P0144AM	P0144A MATTE NICKEL	117	174.00
P0144AN	P0144A POLISHED NICKEL	117	160.00
P0144AS	P0144A SUPERCOATED BRASS	117	160.00
P0144AZ	P0144A OIL RUBBED BRONZE	117	174.00
P0144IC	CHROME INLET BRACKET FOR HANDHELD SHOWER	117	94.00
P0144IM	P0144I MATTE NICKEL	117	106.00
P0144IN	P0144I POLISHED NICKEL	117	94.00
P0144IS	P0144I SUPERCOATED BRASS	117	111.00
P0144IZ	P0144I OIL RUBBED BRONZE	117	125.00
P0144RC	CHROME RISER BRACKET FOR HANDHELD SHOWER	117	101.00
P0144RM	P0144R MATTE NICKEL	117	115.00
P0144RN	P0144R POLISHED NICKEL	117	101.00
P0144RS	P0144R SUPERCOATED BRASS	117	101.00
P0144RZ	P0144R OIL RUBBED BRONZE	117	115.00
P0145C	CHROME DECO SHOWER HEAD, 3 3/4" DIA 1/2" IPS CONNECTION	116	208.00
P0145M	P0145 MATTE NICKEL	116	218.00
P0145N	P0145 POLISHED NICKEL	116	208.00
P0145S	P0145 SUPERCOATED BRASS	116	208.00
P0145-1C	CHROME DECO SHOWER HEAD 3 3/4" DIA W/ARM & ESCUTCHEON	116	249.00
P0145-1M	P0145-1 MATTE NICKEL	116	263.00
P0145-1N	P0145-1 POLISHED NICKEL	116	249.00
P0145-1S	P0145-1 SUPERCOATED BRASS	116	249.00
P0146C	CHROME BRITISH TELEPHONE LEG TUB FAUCET W/PORCELAIN HAND HELD SHOWER AND PORCELAIN BUTTONS, INCLUDES ADJUSTABLE SWING ARM COUPLERS, TUB CENTERS ARE 3 3/8" TO 12", BATHROOM WALL MOUNT CENTERS ARE MINIMUM 4 1/2" TO 12", INCLUDES VACUUM BREAKER	44	1,196.00
P0146M	P0146 MATTE NICKEL	44	1,306.00
P0146N	P0146 POLISHED NICKEL	44	1,196.00
P0146S	P0146 SUPERCOATED BRASS	44	1,397.00
P0146Z	P0146 OIL RUBBED BRONZE	44	1,472.00
P0149-1C	CHROME 3 BALL LEG TUB FAUCET WITH 9 3/4"H GOOSENECK SPOUT	49	581.00
P0149-1M	P0149-1 MATTE NICKEL	49	630.00
P0149-1N	P0149-1 POLISHED NICKEL	49	581.00
P0149-1S	P0149-1 SUPERCOATED BRASS	49	640.00
P0149-1Z	P0149-1 OIL RUBBED BRONZE	49	640.00
P0152C	CHROME MISSISSIPPI WIDESPREAD LAV SET INCLUDES SPOUT (3 1/2" LONG, 5 1/2" HIGH), VALVES, X-PT HANDLES, ESC & POP-UP DRAIN	92	997.00
P0152M	P0152 MATTE NICKEL	92	1,059.00
P0152N	P0152 POLISHED NICKEL	92	997.00
P0152S	P0152 SUPERCOATED BRASS	92	1,004.00
P0152Z	P0152 OIL RUBBED BRONZE	92	1,059.00
P0154C	CHROME LEG TUB FAUCET WITH HANDHELD SHOWER, INCLUDES VACUUM BREAKER	50	897.00
P0154M	P0154 MATTE NICKEL	50	991.00
P0154N	P0154 POLISHED NICKEL	50	897.00
P0154S	P0154 SUPERCOATED BRASS	50	1,019.00

P Items - P Items		P0156C - P0180C	
ITEM #	DESCRIPTION	PG	PRICE
P0156C	CHROME HANDHELD CONVERSION UNIT, INCLUDES HANDHELD SHOWER W/VACUUM BREAKER, RISER BRACKET AND DIVERTER KIT	36	463.00
P0156M	P0156 MATTE NICKEL	36	504.00
P0156N	P0156 POLISHED NICKEL	36	463.00
P0156S	P0156 SUPERCOATED BRASS	36	491.00
P0156Z	P0156 OIL RUBBED BRONZE	36	504.00
P0157C	CHROME MISSISSIPPI TUB SET, 8" CTR	92	793.00
P0157M	P0157 MATTE NICKEL	92	816.00
P0157N	P0157 POLISHED NICKEL	92	793.00
P0157S	P0157 SUPERCOATED BRASS	92	790.00
P0158C	CHROME MISSISSIPPI SHOWER SET, 8" CTR	92	900.00
P0158M	P0158 MATTE NICKEL	92	937.00
P0158N	P0158 POLISHED NICKEL	92	881.00
P0158S	P0158 SUPERCOATED BRASS	92	897.00
P0160C	CHROME MISSISSIPPI TUB & SHOWER SET, 9" CTR	92	1,307.00
P0160M	P0160 MATTE NICKEL	92	1,413.00
P0160N	P0160 POLISHED NICKEL	92	1,307.00
P0160S	P0160 SUPERCOATED BRASS	92	1,363.00
P0162C	CHROME SINK TRIM KIT, INCLUDES P-TRAP FOR 1 1/2" ROUGH-IN, SUPPLIES, SHUT OFF VALVES & ESCUTCHEONS	127	397.00
P0162M	P0162 MATTE NICKEL	127	411.00
P0162N	P0162 POLISHED NICKEL	127	397.00
P0162S	P0162 SUPERCOATED BRASS	127	411.00
P0162Z	P0162 OIL RUBBED BRONZE	127	411.00
P0166C	CHROME SWING ARM COUPLERS, 3" LONG, 2 1/8" BASE. FOR USE WITH SIGN OF THE CRAB FAUCETS W/REMOVABLE INLETS, ALLOW 4 1/2" CENTERS FOR BATHROOM WALL MOUNT FAUCET INSTALLATIONS.	139	269.00
P0166M	P0166 MATTE NICKEL	139	283.00
P0166N	P0166 POLISHED NICKEL	139	269.00
P0166S	P0166 SUPERCOATED BRASS	139	269.00
P0166Z	P0166 OIL RUBBED BRONZE	139	288.00
P0166HUC	CHROME HOOK UP KIT, 1/2" IPS	139	55.00
P0166HUS	P0166HU SUPERCOATED BRASS	139	55.00
P0166HUZ	P0166HU OIL RUBBED BRONZE	139	62.00
P0166MARC	CHROME MODIFIED SWING ARM COUPLERS, TO ATTACH BETWEEN THE FAUCET AND THE DECK MOUNT COUPLERS TO VARY THE CENTERS FOR DECK MOUNTING, 3" LONG, ONE PAIR	139	237.00
P0166MARM	P0166MAR MATTE NICKEL	139	258.00
P0166MARN	P0166MAR POLISHED NICKEL	139	237.00
P0166MARS	P0166MAR SUPERCOATED BRASS	139	237.00
P0166MARZ	P0166MAR OIL RUBBED BRONZE	139	248.00
P0168C	CHROME SHOWER ENCLOSURE SET, INCLUDES FAUCET, HANDHELD SHOWER, RISER, 45" x 25" ENCLOSURE & SHOWER HEAD	37	2,433.00
P0168M	P0168 MATTE NICKEL	37	2,825.00
P0168N	P0168 POLISHED NICKEL	37	2,433.00
P0168S	P0168 SUPERCOATED BRASS	37	2,638.00
P0168Z	P0168 OIL RUBBED BRONZE	37	3,081.00
P0168EXTC	CHROME SHOWER ENCLOSURE SET, INCLUDES FAUCET, HANDHELD SHOWER, RISER, EXTENDED 57" x 31" ENCLOSURE & SHOWER HEAD	37	2,486.00
P0168EXTM	P0168EXT MATTE NICKEL	37	2,908.00
P0168EXTN	P0168EXT POLISHED NICKEL	37	2,486.00
P0168EXTS	P0168EXT SUPERCOATED BRASS	37	2,692.00
P0168EXTZ	P0168EXT OIL RUBBED BRONZE	37	3,189.00
P0177C	CHROME SACRAMENTO TUB & SHOWER SET, 9" CENTER	87	1,154.00
P0177M	P0177 MATTE NICKEL	87	1,262.00
P0177N	P0177 POLISHED NICKEL	87	1,154.00
P0177S	P0177 SUPERCOATED BRASS	87	1,202.00
P0177Z	P0177 OIL RUBBED BRONZE	87	1,262.00
P0180C	CHROME & PORCELAIN SHOWER HEAD, 6 1/4" OVERALL, 3 1/2" DIA CHROME SPRAY PORTION	116	275.00

Suggested Retail Price List Catalog No. 1901

P Items - P Items		P0180M – P0206DS	
ITEM #	DESCRIPTION	PG	PRICE
P0180M	P0180 MATTE NICKEL	116	286.00
P0180N	P0180 POLISHED NICKEL	116	275.00
P0180S	P0180 SUPERCOATED BRASS	116	275.00
P0180Z	P0180 OIL RUBBED BRONZE	116	286.00
P0180-1C	CHROME & PORCELAIN SHOWER HEAD W/ARM & ESCUTCHEON	116	327.00
P0180-1M	P0180-1 MATTE NICKEL	116	344.00
P0180-1N	P0180-1 POLISHED NICKEL	116	327.00
P0180-1S	P0180-1 SUPERCOATED BRASS	116	327.00
P0180-1Z	P0180-1 OIL RUBBED BRONZE	116	344.00
P0181C	CHROME & PORC 18" TOWEL BAR	125	214.00
P0181S	P0181 SUPERCOATED BRASS	125	214.00
P0182C	CHROME & PORC 24" TOWEL BAR	125	221.00
P0182S	P0182 SUPERCOATED BRASS	125	221.00
P0183C	CHROME & PORC 30" TOWEL BAR	125	232.00
P0183S	P0183 SUPERCOATED BRASS	125	232.00
P0184C	CHROME & PORC T/P HOLDER	125	204.00
P0184S	P0184 SUPERCOATED BRASS	125	204.00
P0185C	CHROME & PORC TOWEL RING	125	123.00
P0185S	P0185 SUPERCOATED BRASS	125	123.00
P0186C	CHROME & PORC ROBE HOOK	125	89.00
P0186S	P0186 SUPERCOATED BRASS	125	89.00
P0187C	CHROME & PORC SOAP DISH	125	127.00
P0187S	P0187 SUPERCOATED BRASS	125	127.00
P0188C	CHROME SACRAMENTO WIDESPREAD LAV SET INCLUDES SPOUT W/RING (5" L, 4 7/8" HIGH), VALVES, PORC LEVER HANDLES, PORC ESC & POP-UP DRAIN	88	929.00
P0188S	P0188 SUPERCOATED BRASS	88	935.00
P0188XC	CHROME SACRAMENTO WIDESPREAD LAV SET INCLUDES SPOUT W/RING (5" L, 4 7/8" HIGH), VALVES, PORC X-PT HANDLES, PORC ESC & POP-UP DRAIN	88	959.00
P0188XS	P0188X SUPERCOATED BRASS	88	965.00
P0197C	CHROME MISSISSIPPI 18" TOWEL BAR	124	214.00
P0197M	P0197 MATTE NICKEL	86	239.00
P0197N	P0197 POLISHED NICKEL	86	214.00
P0197S	P0197 SUPERCOATED BRASS	86	214.00
P0198C	CHROME MISSISSIPPI 24" TOWEL BAR	86	221.00
P0198M	P0198 MATTE NICKEL	86	246.00
P0198N	P0198 POLISHED NICKEL	86	221.00
P0198S	P0198 SUPERCOATED BRASS	86	221.00
P0199C	CHROME MISSISSIPPI 30" TOWEL BAR	86	232.00
P0199M	P0199 MATTE NICKEL	86	258.00
P0199N	P0199 POLISHED NICKEL	86	232.00
P0199S	P0199 SUPERCOATED BRASS	86	232.00
P0202C	CHROME LEVER HANDLE PAIR	134	93.00
P0202M	P0202 MATTE NICKEL	134	102.00
P0202N	P0202 POLISHED NICKEL	134	93.00
P0202S	P0202 SUPERCOATED BRASS	134	93.00
P0202Z	P0202 OIL RUBBED BRONZE	134	102.00
P0202DC	CHROME LEVER DIVERTER HANDLE	134	47.00
P0202DM	P0202D MATTE NICKEL	134	51.00
P0202DN	P0202D POLISHED NICKEL	134	47.00
P0202DS	P0202D SUPERCOATED BRASS	134	47.00
P0202DZ	P0202D OIL RUBBED BRONZE	134	51.00
P0204C	CHROME & PORCELAIN LEVER HANDLE PAIR	134	98.00
P0204M	P0204 MATTE NICKEL	134	109.00
P0204N	P0204 POLISHED NICKEL	134	98.00
P0204S	P0204 SUPERCOATED BRASS	134	98.00
P0204Z	P0204 OIL RUBBED BRONZE	134	109.00
P0206C	CHROME & PORCELAIN TEARDROP HANDLE PAIR	134	67.00
P0206M	P0206 MATTE NICKEL	134	81.00
P0206N	P0206 POLISHED NICKEL	134	67.00
P0206S	P0206 SUPERCOATED BRASS	134	67.00
P0206Z	P0206 OIL RUBBED BRONZE	134	81.00
P0206DC	CHROME & PORCELAIN SHOWER ONLY HANDLE	134	34.00
P0206DM	P0206D MATTE NICKEL	134	41.00
P0206DN	P0206D POLISHED NICKEL	134	34.00
P0206DS	P0206D SUPERCOATED BRASS	134	34.00

P Items - P Items		P0206DZ – P0305S	
ITEM #	DESCRIPTION	PG	PRICE
P0206DZ	P0206D OIL RUBBED BRONZE	134	41.00
P0207C	PORCELAIN & CHROME 3 1/2" DIA X-PT HANDLE PR	135	69.00
P0207S	P0207 PORCELAIN & SUPERCOATED BRASS	135	69.00
P0208C	PORCELAIN & CHROME 3 1/2" DIA X-POINT DIVERTER HANDLE	135	35.00
P0208S	P0208 PORCELAIN & SUPERCOATED BRASS	135	35.00
P0212C	PORCELAIN & CHROME 2 1/2" DIA X-PT HANDLE PR	135	66.00
P0212S	P0212 PORCELAIN & SUPERCOATED BRASS	135	66.00
P0214C	3 1/2" L CHROME & PORCELAIN DIVERTER HANDLE	134	48.00
P0214M	P0214 MATTE NICKEL	134	53.00
P0214N	P0214 POLISHED NICKEL	134	48.00
P0214S	P0214 SUPERCOATED BRASS	134	48.00
P0214Z	P0214 OIL RUBBED BRONZE	134	53.00
P0215C	3 1/2" L CHROME & PORCELAIN HANDLE PAIR	134	95.00
P0215M	P0215 MATTE NICKEL	134	101.00
P0215N	P0215 POLISHED NICKEL	134	95.00
P0215S	P0215 SUPERCOATED BRASS	134	95.00
P0215Z	P0215 OIL RUBBED BRONZE	134	101.00
P0217C	CHROME DECO X-POINT HANDLE PAIR W/PORC BUTTONS	135	127.00
P0217M	P0217 MATTE NICKEL	135	148.00
P0217N	P0217 POLISHED NICKEL	135	127.00
P0217S	P0217 SUPERCOATED BRASS	135	127.00
P0217Z	P0217 OIL RUBBED BRONZE	135	148.00
P0217DC	CHROME X-POINT DECO DIVERTER HANDLE W/PORC BUTTON	135	64.00
P0217DM	P0217D MATTE NICKEL	135	74.00
P0217DN	P0217D POLISHED NICKEL	135	64.00
P0217DS	P0217D SUPERCOATED BRASS	135	64.00
P0217DZ	P0217D OIL RUBBED BRONZE	135	74.00
P0219C	CHROME X-PT HANDLE PAIR W/PORC BUTTONS	135	128.00
P0219M	P0219 MATTE NICKEL	135	148.00
P0219N	P0219 POLISHED NICKEL	135	128.00
P0219S	P0219 SUPERCOATED BRASS	135	128.00
P0219Z	P0219 OIL RUBBED BRONZE	135	148.00
P0219DC	CHROME X-POINT DIVERTER HANDLE W/PORC BUTTON	135	64.00
P0219DM	P0219D MATTE NICKEL	135	74.00
P0219DN	P0219D POLISHED NICKEL	135	64.00
P0219DS	P0219D SUPERCOATED BRASS	135	64.00
P0219DZ	P0219D OIL RUBBED BRONZE	135	74.00
P0220C	CHROME 2 1/4" DIA X-POINT HANDLE PR W/PORC BUTTONS	135	73.00
P0220M	P0220 MATTE NICKEL	135	83.00
P0220N	P0220 POLISHED NICKEL	135	73.00
P0220S	P0220 SUPERCOATED BRASS	135	73.00
P0220Z	P0220 OIL RUBBED BRONZE	135	83.00
P0301C	CHROME MISSISSIPPI T/P HOLDER	124	204.00
P0301M	P0301 MATTE NICKEL	124	230.00
P0301N	P0301 POLISHED NICKEL	124	204.00
P0301S	P0301 SUPERCOATED BRASS	124	204.00
P0302C	CHROME MISSISSIPPI TOWEL RING	124	123.00
P0302M	P0302 MATTE NICKEL	124	135.00
P0302N	P0302 POLISHED NICKEL	124	123.00
P0302S	P0302 SUPERCOATED BRASS	124	123.00
P0303C	CHROME MISSISSIPPI HOOK	124	89.00
P0303M	P0303 MATTE NICKEL	124	102.00
P0303N	P0303 POLISHED NICKEL	124	89.00
P0303S	P0303 SUPERCOATED BRASS	124	89.00
P0304C	CHROME MISSISSIPPI SOAP DISH	124	127.00
P0304M	P0304 MATTE NICKEL	124	140.00
P0304N	P0304 POLISHED NICKEL	124	127.00
P0304S	P0304 SUPERCOATED BRASS	124	127.00
P0305C	CHROME SACRAMENTO 18" TOWEL BAR, 5/8" OD	125	214.00
P0305M	P0305 MATTE NICKEL	125	240.00
P0305N	P0305 POLISHED NICKEL	125	214.00
P0305S	P0305 SUPERCOATED BRASS	125	214.00

Suggested Retail Price List Catalog No. 1901

P Items - P Items		P0306C – P0341C	
ITEM #	DESCRIPTION	PG	PRICE
P0306C	CHROME SACRAMENTO 24" TOWEL BAR, 5/8" OD	125	221.00
P0306M	P0306 MATTE NICKEL	125	246.00
P0306N	P0306 POLISHED NICKEL	125	221.00
P0306S	P0306 SUPERCOATED BRASS	125	221.00
P0307C	CHROME SACRAMENTO 30" TOWEL BAR, 5/8" OD	125	232.00
P0307M	P0307 MATTE NICKEL	125	258.00
P0307N	P0307 POLISHED NICKEL	125	232.00
P0307S	P0307 SUPERCOATED BRASS	125	232.00
P0307Z	P0307 OIL RUBBED BRONZE	125	258.00
P0308C	CHROME SACRAMENTO T/P HOLDER	125	204.00
P0308M	P0308 MATTE NICKEL	125	230.00
P0308N	P0308 POLISHED NICKEL	125	204.00
P0308S	P0308 SUPERCOATED BRASS	125	204.00
P0308Z	P0308 OIL RUBBED BRONZE	125	230.00
P0309C	CHROME SACRAMENTO TOWEL RING	125	123.00
P0309M	P0309 MATTE NICKEL	125	135.00
P0309N	P0309 POLISHED NICKEL	125	123.00
P0309S	P0309 SUPERCOATED BRASS	125	123.00
P0309Z	P0309 OIL RUBBED BRONZE	125	135.00
P0310C	CHROME SACRAMENTO ROBE HOOK	125	89.00
P0310M	P0310 MATTE NICKEL	125	102.00
P0310N	P0310 POLISHED NICKEL	125	89.00
P0310S	P0310 SUPERCOATED BRASS	125	89.00
P0310Z	P0310 OIL RUBBED BRONZE	125	102.00
P0311C	CHROME SACRAMENTO SOAP DISH	125	127.00
P0311M	P0311 MATTE NICKEL	125	140.00
P0311N	P0311 POLISHED NICKEL	125	127.00
P0311S	P0311 SUPERCOATED BRASS	125	127.00
P0313C	CHROME PORC&BRASS T/B&GLASS HLDR	125	127.00
P0313S	P0313 SUPERCOATED BRASS	125	127.00
P0315C	CHROME DECO T/B & GLASS HOLDER	124	127.00
P0315M	P0315 MATTE NICKEL	124	139.00
P0315N	P0315 POLISHED NICKEL	124	127.00
P0315S	P0315 SUPERCOATED BRASS	124	127.00
P0316C	CHROME SACRAMENTO T/B & GLASS HOLDER	125	127.00
P0316M	P0316 MATTE NICKEL	125	139.00
P0316N	P0316 POLISHED NICKEL	125	127.00
P0316S	P0316 SUPERCOATED BRASS	125	127.00
P0317C	CHROME SACRAMENTO TUB & SHOWER SET, 9" CENTERS PORCELAIN ESCUTCHEONS & HANDLES	89	1,184.00
P0317S	P0317 SUPERCOATED BRASS	89	1,231.00
P0319C	CHROME HEAVY DUTY CHAIN STAY, 1 3/4"DIA	103	55.00
P0319S	P0319 SUPERCOATED BRASS	103	55.00
P0329	STAINLESS STEEL FLEX HOSE, 12" LONG, 1/2" IPS CONNECTIONS	138	12.00
P0330C	CHROME 90 DEGREE COUPLERS, INCLUDES HOOKUPS W/1/2" IPS CONNECTIONS, 2 1/8" BASE	139	260.00
P0330M	P0330 MATTE NICKEL	139	274.00
P0330N	P0330 POLISHED NICKEL	139	260.00
P0330S	P0330 SUPERCOATED BRASS	139	260.00
P0330Z	P0330 OIL RUBBED BRONZE	139	274.00
P0330MARC	CHROME MODIFIED 90 DEGREE ELBOW COUPLERS	139	265.00
P0330MARM	P0330MAR MATTE NICKEL	139	280.00
P0330MARN	P0330MAR POLISHED NICKEL	139	265.00
P0330MARS	P0330MAR SUPERCOATED BRASS	139	265.00
P0330MARZ	P0330MAR OIL RUBBED BRONZE	139	280.00
P0332C	CHROME TUB LEGS, SET OF 4, 9 1/2" H, TUB SITS 6" FROM FLOOR, FITS MOST LEG TUBS	83	776.00
P0332M	P0332 MATTE NICKEL	83	776.00
P0332N	P0332 POLISHED NICKEL	83	776.00
P0332S	P0332 SUPERCOATED BRASS	83	776.00
P0332W	P0332 CAST IRON PAINTED WHITE	83	405.00
P0332Z	P0332 OIL RUBBED BRONZE	83	776.00
P0341C	CHROME DECK MOUNT FAUCET, 7" CENTERS, 7" SPOUT EXTENSION, INCLUDES VACUUM BREAKER	54	1,231.00

P Items - P Items		P0341M – P0377S	
ITEM #	DESCRIPTION	PG	PRICE
P0341M	P0341 MATTE NICKEL	54	1,355.00
P0341N	P0341 POLISHED NICKEL	54	1,231.00
P0341S	P0341 SUPERCOATED BRASS	54	1,180.00
P0341Z	P0341 OIL RUBBED BRONZE	54	1,761.00
P0342C	CHROME LEFT AND RIGHT LEG TUB SUPPLY SET, DOUBLE OFFSET 1/2" OD TUBING, EXTENDS 2 3/4" FROM FAUCET TO CENTER OF VERTICAL TUBE, FITS STANDARD LEG TUB INSTALLATION, 3 3/8" CENTERS ON FAUCET, 8" CTRS ON FLOOR, GOES INTO 1/2" IPS, FITS 3/4" IPS AT FAUCET. COMES WITH POLISHED BRASS NUTS, FLOOR ESC. & WASHERS, READY FOR INSTALLATION, APPROX 26" HIGH. INC 2 STRAIGHT STOPS	81	323.00
P0342M	P0342 MATTE NICKEL	81	346.00
P0342N	P0342 POLISHED NICKEL	81	323.00
P0342S	P0342 SUPERCOATED BRASS	81	365.00
P0342Z	P0342 OIL RUBBED BRONZE	81	368.00
P0342XC	CHROME LEFT AND RIGHT LEG TUB SUPPLY SET, DOUBLE OFFSET 1/2" OD TUBING, EXTENDS 2 3/4" FROM FAUCET TO CENTER OF VERTICAL TUBE, FITS STANDARD LEG TUB INSTALLATION, 3 3/8" CENTERS ON FAUCET, 8" CTRS ON FLOOR, GOES INTO 1/2" IPS, FITS 3/4" IPS AT FAUCET. COMES WITH POLISHED BRASS NUTS, FLOOR ESC. & WASHERS, READY FOR INSTALLATION, APPROX 26" HIGH. INC 2 STRAIGHT STOPS W/X-PT HANDLES	81	386.00
P0342XM	P0342X MATTE NICKEL	81	419.00
P0342XN	P0342X POLISHED NICKEL	81	386.00
P0342XS	P0342X SUPERCOATED BRASS	81	386.00
P0342XZ	P0342X OIL RUBBED BRONZE	81	441.00
P0345C	CHROME ST. LAWRENCE WIDESPREAD WITH 4 1/2" SPOUT, X-POINT HANDLES, ESC & POP-UP DRAIN	90	983.00
P0345M	P0345 MATTE NICKEL	90	1,045.00
P0345N	P0345 POLISHED NICKEL	90	983.00
P0345S	P0345 SUPERCOATED BRASS	90	991.00
P0346C	CHROME ST. LAWRENCE WIDESPREAD, WITH 4 1/2" SPOUT & LEVER HANDLES, ESC & POP-UP DRAIN	90	948.00
P0346M	P0346 MATTE NICKEL	90	1,010.00
P0346N	P0346 POLISHED NICKEL	91	948.00
P0346S	P0346 SUPERCOATED BRASS	90	956.00
P0347C	CHROME ST. LAWRENCE WIDESPREAD, WITH 4 1/2" SPOUT & PORCELAIN X-POINT HANDLES, ESC & POP-UP DRAIN	91	921.00
P0347S	P0347 SUPERCOATED BRASS	91	928.00
P0352C	CHROME ST. LAWRENCE TUB & SHOWER SET, 9" CENTERS	91	1,240.00
P0352M	P0352 MATTE NICKEL	91	1,346.00
P0352N	P0352 POLISHED NICKEL	91	1,240.00
P0352S	P0352 SUPERCOATED BRASS	91	1,287.00
P0360C	CHROME RHINE TUB & SHOWER SET, 9" CTRS	90	1,227.00
P0360M	P0360 MATTE NICKEL	90	1,331.00
P0360N	P0360 POLISHED NICKEL	90	1,227.00
P0360S	P0360 SUPERCOATED BRASS	90	1,275.00
P0360Z	P0360 OIL RUBBED BRONZE	90	1,331.00
P0376C	CHROME THAMES WIDESPREAD LAV SET, INCLUDES VALVES, SPOUT 5 1/2", X-POINT HANDLES, ESC & POP-UP DRAIN.	96	1,047.00
P0376M	P0376 MATTE NICKEL	96	1,122.00
P0376N	P0376 POLISHED NICKEL	96	1,047.00
P0376S	P0376 SUPERCOATED BRASS	96	1,054.00
P0376Z	P0376 OIL RUBBED BRONZE	96	1,122.00
P0377C	CHROME THAMES WIDESPREAD LAV SET, 5 1/2" SPOUT, PORCELAIN X-POINT HANDLES, ESC & POP-UP DRAIN.	96	987.00
P0377S	P0377 SUPERCOATED BRASS	96	995.00

Suggested Retail Price List Catalog No. 1901

P Items - P Items		P0378C – P0402C	
ITEM #	DESCRIPTION	PG	PRICE
P0378C	CHROME THAMES WIDESPREAD LAV SET, INCLUDES VALVES, SPOUT 5 1/2", LEVER HANDLES, ESC & POP-UP DRAIN.	96	1,011.00
P0378M	P0378 MATTE NICKEL	96	1,077.00
P0378N	P0378 POLISHED NICKEL	96	1,011.00
P0378S	P0378 SUPERCOATED BRASS	96	1,019.00
P0378Z	P0378 OIL RUBBED BRONZE	96	1,077.00
P0381C	CHROME THAMES TUB & SHOWER SET, 9" CTRS	96	1,280.00
P0381M	P0381 MATTE NICKEL	96	1,394.00
P0381N	P0381 POLISHED NICKEL	96	1,280.00
P0381S	P0381 SUPERCOATED BRASS	96	1,327.00
P0381Z	P0381 OIL RUBBED BRONZE	96	1,394.00
P0383	DOUBLE HUMP PORCELAIN ESCUTCHEON 3 3/8" DIA	136	20.00
P0384C	CHROME DOUBLE HUMP BRASS ESC., EA	136	34.00
P0384M	P0384 MATTE NICKEL	136	42.00
P0384N	P0384 POLISHED NICKEL	136	34.00
P0384S	P0384 SUPERCOATED BRASS	136	34.00
P0384Z	P0384 OIL RUBBED BRONZE	136	42.00
P0386M	MATTE NICKEL SACRAMENTO ESCUTCHEON 2 1/4" DIA	136	42.00
P0386N	P0386 POLISHED NICKEL	136	34.00
P0386S	P0386 SUPERCOATED BRASS	136	34.00
P0386Z	P0386 OIL RUBBED BRONZE	136	42.00
P0387	CHROME SACRAMENTO ESCUTCHEON 2 1/4" DIA	136	34.00
P0388C	CHROME/PORC ESCUTCHEON W/CHROME RING, 2 7/8" DIA	136	44.00
P0388S	P0388 SUPERCOATED BRASS	136	44.00
P0391C	CHROME COLORADO ESCUTCHEON, 2 1/2" DIA	136	48.00
P0391M	P0391 MATTE NICKEL	136	55.00
P0391N	P0391 POLISHED NICKEL	136	48.00
P0391S	P0391 SUPERCOATED BRASS	136	48.00
P0391Z	P0391 OIL RUBBED BRONZE	136	55.00
P0398C	CHROME FREE STANDING LEG TUB SUPPLY SET W/ SHUTOFFS, 1/2"IPS, 24" HIGH, 2 7/8" DIA FLOOR PLATE, 12" WALL BRACE, 2" DIAWALL ESCUTCHEON, THROW IS 4" FROM VERTICAL CENTER, DO NOT USE WITH RISER OR ENCLOSURE, TUBE IS 3/4" OD	82	1,144.00
P0398M	P0398 MATTE NICKEL	82	1,266.00
P0398N	P0398 POLISHED NICKEL	82	1,144.00
P0398S	P0398 SUPERCOATED BRASS	82	1,144.00
P0398Z	P0398 OIL RUBBED BRONZE	82	1,237.00
P0398-28C	CHROME FREE STANDING LEG TUB SUPPLY SET W/ SHUTOFFS, 1/2" IPS, 28" HIGH, 2 7/8" DIA FLOOR PLATE, 12" WALL BRACE, 2" DIAWALL ESCUTCHEON, THROW IS 4" FROM VERTICAL CENTER, DO NOT USE WITH RISER OR ENCLOSURE, TUBE IS 3/4" OD	82	1,219.00
P0398-28M	P0398-28 MATTE NICKEL	82	1,327.00
P0398-28N	P0398-28 POLISHED NICKEL	82	1,219.00
P0398-28S	P0398-28 SUPERCOATED BRASS	82	1,219.00
P0398-28Z	P0398-28 OIL RUBBED BRONZE	82	1,297.00
P0399C	CHROME RISER ATTACHMENT. FITS 5/8" OD RISER & 1" OD TUBE	126	32.00
P0399M	P0399 MATTE NICKEL	126	39.00
P0399N	P0399 POLISHED NICKEL	126	32.00
P0399S	P0399 SUPERCOATED BRASS	126	32.00
P0399Z	P0399 OIL RUBBED BRONZE	126	39.00
P0400C	CHROME GOOSENECK DIVERTER FAUCET, 3 3/8" CTR	48	678.00
P0400M	P0400 MATTE NICKEL	48	771.00
P0400N	P0400 POLISHED NICKEL	48	678.00
P0400S	P0400 SUPERCOATED BRASS	48	806.00
P0400Z	P0400 OIL RUBBED BRONZE	48	771.00
P0402C	CHROME GOOSENECK FAUCET, 3 3/8" CTR W/HANDHELD SHOWER, INCLUDES VACUUM BREAKER	44	976.00

P Items - P Items		P0402M – P0463S	
ITEM #	DESCRIPTION	PG	PRICE
P0402M	P0402 MATTE NICKEL	44	1,100.00
P0402N	P0402 POLISHED NICKEL	44	976.00
P0402S	P0402 SUPERCOATED BRASS	44	1,169.00
P0402Z	P0402 OIL RUBBED BRONZE	44	1,191.00
P0403C	CHROME SHOWER ENCLOSURE SET, INCLUDES FAUCET, RISER, 45" x 25" ENCLOSURE & SHOWER HEAD	36	1,675.00
P0403M	P0403 MATTE NICKEL	36	1,904.00
P0403N	P0403 POLISHED NICKEL	36	1,675.00
P0403S	P0403 SUPERCOATED BRASS	36	1,836.00
P0403Z	P0403 OIL RUBBED BRONZE	36	1,941.00
P0403EXTC	CHROME SHOWER ENCLOSURE SET INCLUDES FAUCET, RISER, EXTENDED 57" X 31" ENCLOSURE & SHOWER HEAD	36	1,728.00
P0403EXTM	P0403EXT MATTE NICKEL	36	1,987.00
P0403EXTN	P0403EXT POLISHED NICKEL	36	1,728.00
P0403EXTS	P0403EXT SUPERCOATED BRASS	36	1,890.00
P0403EXTZ	P0403EXT OIL RUBBED BRONZE	36	2,049.00
P0406C	CHROME ST.LAWRENCE TUB ONLY SET, 8" CTR	90	795.00
P0406M	P0406 MATTE NICKEL	90	829.00
P0406N	P0406 POLISHED NICKEL	90	795.00
P0406S	P0406 SUPERCOATED BRASS	90	791.00
P0407C	CHROME ST.LAWRENCE SHOWER ONLY SET, 8" CTR	90	825.00
P0407M	P0407 MATTE NICKEL	90	913.00
P0407N	P0407 POLISHED NICKEL	90	825.00
P0407S	P0407 SUPERCOATED BRASS	90	876.00
P0408C	CHROME RHINE TUB ONLY SET, 8" CTR	89	785.00
P0408M	P0408 MATTE NICKEL	89	820.00
P0408N	P0408 POLISHED NICKEL	89	785.00
P0408S	P0408 SUPERCOATED BRASS	89	783.00
P0408Z	P0408 OIL RUBBED BRONZE	89	820.00
P0409C	CHROME RHINE SHOWER ONLY SET, 8" CTR	89	817.00
P0409M	P0409 MATTE NICKEL	89	904.00
P0409N	P0409 POLISHED NICKEL	89	817.00
P0409S	P0409 SUPERCOATED BRASS	89	867.00
P0409Z	P0409 OIL RUBBED BRONZE	89	904.00
P0412C	CHROME THAMES TUB ONLY SET, 8" CTR	96	821.00
P0412M	P0412 MATTE NICKEL	96	855.00
P0412N	P0412 POLISHED NICKEL	96	821.00
P0412S	P0412 SUPERCOATED BRASS	96	818.00
P0412Z	P0412 OIL RUBBED BRONZE	96	855.00
P0413C	CHROME THAMES SHOWER ONLY SET, 8" CTR	96	852.00
P0413M	P0413 MATTE NICKEL	96	946.00
P0413N	P0413 POLISHED NICKEL	96	852.00
P0413S	P0413 SUPERCOATED BRASS	96	902.00
P0413Z	P0413 OIL RUBBED BRONZE	96	946.00
P0449C	CHROME SACRAMENTO TUB ONLY SET, 8" CTR W/PORC HANDLES & ESCUTCHEONS	89	758.00
P0449S	P0449 SUPERCOATED BRASS	89	755.00
P0450C	CHROME SACRAMENTO SHOWER ONLY SET 8" CTR W/PORC HANDLES & ESCUTCHEONS	89	790.00
P0450S	P0450 SUPERCOATED BRASS	89	839.00
P0458	PORCELAIN FLUTED ESCUTCHEON, 2 3/4" DIA	136	17.00
P0459C	CHROME 6" 90 DEGREE COUPLERS, 2 1/8" BASE	139	347.00
P0459M	P0459 MATTE NICKEL	139	358.00
P0459N	P0459 POLISHED NICKEL	139	347.00
P0459S	P0459 SUPERCOATED BRASS	139	347.00
P0459Z	P0459 OIL RUBBED BRONZE	139	365.00
P0462C	CHROME DECK MOUNT FAUCET, 7" CTRS, 7" SPOUT EXTENSION, 6"H DECK MT COUPLERS INCLUDES VACUUM BREAKER	54	1,290.00
P0462M	P0462 MATTE NICKEL	54	1,414.00
P0462N	P0462 POLISHED NICKEL	54	1,290.00
P0462S	P0462 SUPERCOATED BRASS	54	1,514.00
P0462Z	P0462 OIL RUBBED BRONZE	54	1,603.00
P0463C	CHROME FAUCET SET W/ 5 SPOKE HANDLE	102	582.00
P0463M	P0463 MATTE NICKEL	102	624.00
P0463N	P0463 POLISHED NICKEL	102	582.00
P0463S	P0463 SUPERCOATED BRASS	102	582.00

Suggested Retail Price List Catalog No. 1901

P Items - P Items		P0463Z – P0549-8M	
ITEM #	DESCRIPTION	PG	PRICE
P0463Z	P0463 OIL RUBBED BRONZE	102	624.00
P0475C	CHROME 5 SPOKE HANDLE PAIR W/PORC BUTTONS	135	186.00
P0475M	P0475 MATTE NICKEL	135	209.00
P0475N	P0475 POLISHED NICKEL	135	186.00
P0475S	P0475 SUPERCOATED BRASS	135	186.00
P0475Z	P0475 OIL RUBBED BRONZE	135	209.00
P0475DC	CHROME 5 SPOKE DIVERter HANDLE W/PORC BUTTON	135	93.00
P0475DM	P0475D MATTE NICKEL	135	105.00
P0475DN	P0475D POLISHED NICKEL	135	93.00
P0475DS	P0475D SUPERCOATED BRASS	135	93.00
P0475DZ	P0475D OIL RUBBED BRONZE	135	105.00
P0476C	CHROME TEARDROP HANDLE, PAIR	134	77.00
P0476M	P0476 MATTE NICKEL	134	88.00
P0476N	P0476 POLISHED NICKEL	134	77.00
P0476S	P0476 SUPERCOATED BRASS	134	77.00
P0476Z	P0476 OIL RUBBED BRONZE	134	88.00
P0476DC	CHROME DIVERter TEARDROP HANDLE	134	39.00
P0476DM	P0476D MATTE NICKEL	134	44.00
P0476DN	P0476D POLISHED NICKEL	134	39.00
P0476DS	P0476D SUPERCOATED BRASS	134	39.00
P0476DZ	P0476D OIL RUBBED BRONZE	134	44.00
P0478C	CHROME ST. LAWRENCE ESCUTCHEON, 2 3/4" DIA	136	39.00
P0478M	P0478 MATTE NICKEL	136	41.00
P0478N	P0478 POLISHED NICKEL	136	39.00
P0478S	P0478 SUPERCOATED BRASS	136	39.00
P0481C	CHROME THAMES ESCUTCHEON, 2 1/2" DIA	136	52.00
P0481M	P0481 MATTE NICKEL	136	55.00
P0481N	P0481 POLISHED NICKEL	136	52.00
P0481S	P0481 SUPERCOATED BRASS	136	52.00
P0481Z	P0481 OIL RUBBED BRONZE	136	55.00
P0503C	CHROME 18" FLUTED PORC TOWEL BAR	124	214.00
P0503S	P0503 SUPERCOATED BRASS	124	214.00
P0504C	CHROME 24" FLUTED PORC TOWEL BAR	124	221.00
P0504S	P0504 SUPERCOATED BRASS	124	221.00
P0505C	CHROME 30" FLUTED PORC TOWEL BAR	124	232.00
P0505S	P0505 SUPERCOATED BRASS	124	232.00
P0506C	CHROME FLUTED PORC SOAP DISH	124	127.00
P0506S	P0506 SUPERCOATED BRASS	124	127.00
P0507C	CHROME FLUTED PORC T/P HOLDER	124	204.00
P0507S	P0507 SUPERCOATED BRASS	124	204.00
P0508C	CHROME FLUTED PORC ROBE HOOK	124	89.00
P0508S	P0508 SUPERCOATED BRASS	124	89.00
P0509C	CHROME FLUTED PORC TOOTHBRUSH HLDR	124	127.00
P0509S	P0509 SUPERCOATED BRASS	124	127.00
P0510C	CHROME FLUTED PORC TOWEL RING	124	123.00
P0510S	P0510 SUPERCOATED BRASS	124	123.00
P0514C	CHROME REDUCER BUSHING, 3/4" IPS TO 1/2" IPS	138	11.00
P0514S	P0514 SUPERCOATED BRASS	138	13.00
P0514Z	P0514 OIL RUBBED BRONZE	138	17.00
P0516C	CHROME CORNER SHOWER ROD, 36" LONG, END EXPANDED TO ACCEPT 1" BAR	126	124.00
P0516M	P0516 MATTE NICKEL	126	139.00
P0516N	P0516 POLISHED NICKEL	126	124.00
P0516S	P0516 SUPERCOATED BRASS	126	124.00
P0516Z	P0516 OIL RUBBED BRONZE	126	139.00
P0533C	CHROME NEO ANGLE SHOWER ROD PACKAGE, INCLUDES P0095-36" BRACE, 2-P516, 1-P71 PR, 1-GB283 2 PC ROD, 1" DIAMETER	126	736.00
P0533M	P0533 MATTE NICKEL	126	820.00
P0533N	P0533 POLISHED NICKEL	126	736.00
P0533S	P0533 SUPERCOATED BRASS	126	736.00
P0533Z	P0533 OIL RUBBED BRONZE	126	820.00
P0549-8C	CHROME 8" COLUMBIA SET W/STRAIGHT SPOUT, & X-POINT HANDLES. INCLUDES LIFT & TURN DRAIN	101	895.00
P0549-8M	P0549-8 MATTE NICKEL	101	923.00

P Items - P Items		P0549-8N – P0565-12S	
ITEM #	DESCRIPTION	PG	PRICE
P0549-8N	P0549-8 POLISHED NICKEL	101	895.00
P0549-8S	P0549-8 SUPERCOATED BRASS	101	904.00
P0549-8Z	P0549-8 OIL RUBBED BRONZE	101	923.00
P0549-12C	CHROME 12" COLUMBIA SET W/STRAIGHT SPOUT, & X-POINT HANDLES. INCLUDES LIFT & TURN DRAIN	101	984.00
P0549-12M	P0549-12 MATTE NICKEL	101	1,026.00
P0549-12N	P0549-12 POLISHED NICKEL	101	984.00
P0549-12S	P0549-12 SUPERCOATED BRASS	101	992.00
P0549-12Z	P0549-12 OIL RUBBED BRONZE	101	1,026.00
P0550-8C	CHROME 8" COLUMBIA SET W/GOOSENECK SPOUT, X-POINT HANDLES & LIFT & TURN DRAIN	100	894.00
P0550-8M	P0550-8 MATTE NICKEL	100	922.00
P0550-8N	P0550-8 POLISHED NICKEL	100	894.00
P0550-8S	P0550-8 SUPERCOATED BRASS	100	902.00
P0550-8Z	P0550-8 OIL RUBBED BRONZE	100	922.00
P0550-12C	CHROME 12" COLUMBIA SET W/GOOSENECK SPOUT, X-POINT HANDLES & LIFT & TURN DRAIN	100	983.00
P0550-12M	P0550-12 MATTE NICKEL	100	1,027.00
P0550-12N	P0550-12 POLISHED NICKEL	100	983.00
P0550-12S	P0550-12 SUPERCOATED BRASS	100	991.00
P0550-12Z	P0550-12 OIL RUBBED BRONZE	100	1,027.00
P0551C	CHROME HANDLE PAIR, 2" LG	134	102.00
P0551S	P0551 SUPERCOATED BRASS	134	102.00
P0552C	CHROME PORCELAIN HANDLE PAIR, 2"LG	134	77.00
P0552M	P0552 MATTE NICKEL	134	83.00
P0552N	P0552 POLISHED NICKEL	134	77.00
P0552S	P0552 SUPERCOATED BRASS	134	77.00
P0552Z	P0552 OIL RUBBED BRONZE	134	83.00
P0557-8C	CHROME 8" COLUMBIA SET W/GOOSENECK SPOUT, LEVER HANDLES & LIFT & TURN DRAIN	100	843.00
P0557-8M	P0557-8 MATTE NICKEL	100	871.00
P0557-8N	P0557-8 POLISHED NICKEL	100	843.00
P0557-8S	P0557-8 SUPERCOATED BRASS	100	851.00
P0557-8Z	P0557-8 OIL RUBBED BRONZE	100	871.00
P0557-12C	CHROME 12" COLUMBIA SET W/GOOSENECK SPOUT, LEVER HANDLES & LIFT & TURN DRAIN	100	931.00
P0557-12M	P0557-12 MATTE NICKEL	100	973.00
P0557-12N	P0557-12 POLISHED NICKEL	100	931.00
P0557-12S	P0557-12 SUPERCOATED BRASS	100	939.00
P0557-12Z	P0557-12 OIL RUBBED BRONZE	100	973.00
P0558-8C	CHROME 8" COLUMBIA SET W/GOOSENECK SPOUT, X-POINT HANDLES & LIFT & TURN DRAIN	100	951.00
P0558-8M	P0558-8 MATTE NICKEL	100	979.00
P0558-8N	P0558-8 POLISHED NICKEL	100	951.00
P0558-8S	P0558-8 SUPERCOATED BRASS	100	960.00
P0558-8Z	P0558-8 OIL RUBBED BRONZE	100	979.00
P0558-12C	CHROME 12" COLUMBIA SET W/GOOSENECK SPOUT, X-POINT HANDLES & LIFT & TURN DRAIN	100	1,040.00
P0558-12M	P0558-12 MATTE NICKEL	100	1,082.00
P0558-12N	P0558-12 POLISHED NICKEL	100	1,040.00
P0558-12S	P0558-12 SUPERCOATED BRASS	100	1,164.00
P0558-12Z	P0558-12 OIL RUBBED BRONZE	100	1,082.00
P0565-8C	CHROME 8" COLUMBIA SET W/STRAIGHT SPOUT & LEVER HANDLES INCLUDES LIFT & TURN DRAIN	101	844.00
P0565-8M	P0565-8 MATTE NICKEL	101	872.00
P0565-8N	P0565-8 POLISHED NICKEL	101	844.00
P0565-8S	P0565-8 SUPERCOATED BRASS	101	852.00
P0565-8Z	P0565-8 OIL RUBBED BRONZE	101	872.00
P0565-12C	CHROME 12" COLUMBIA SET W/STRAIGHT SPOUT & LEVER HANDLES INCLUDES LIFT & TURN DRAIN	101	932.00
P0565-12M	P0565-12 MATTE NICKEL	101	974.00
P0565-12N	P0565-12 POLISHED NICKEL	101	932.00
P0565-12S	P0565-12 SUPERCOATED BRASS	101	941.00

Suggested Retail Price List Catalog No. 1901

P Items - P Items

P0565-12Z – P0614S

ITEM #	DESCRIPTION	PG	PRICE
P0565-12Z	P0565-12 OIL RUBBED BRONZE	101	974.00
P0587C	CHROME FAUCET SET W/PORCELAIN LEVER HANDLES	103	462.00
P0587M	P0587 MATTE NICKEL	103	496.00
P0587N	P0587 POLISHED NICKEL	103	462.00
P0587S	P0587 SUPERCOATED BRASS	103	462.00
P0587Z	P0587 OIL RUBBED BRONZE	103	496.00
P0588C	CHROME RIO GRANDE WIDESPREAD LAV SET, INCLUDES SPOUT, VALVES, HANDLES, ESCUTCHEONS & POP-UP DRAIN	94	1,100.00
P0588M	P0588 MATTE NICKEL	94	1,163.00
P0588N	P0588 POLISHED NICKEL	94	1,100.00
P0588S	P0588 SUPERCOATED BRASS	94	1,108.00
P0588Z	P0588 OIL RUBBED BRONZE	94	1,196.00
P0589C	CHROME RIO GRANDE TUB & SHOWER SET, 9" CTRS	94	1,325.00
P0589M	P0589 MATTE NICKEL	94	1,432.00
P0589N	P0589 POLISHED NICKEL	94	1,325.00
P0589S	P0589 SUPERCOATED BRASS	94	1,373.00
P0589Z	P0589 OIL RUBBED BRONZE	94	1,469.00
P0590C	CHROME RIO GRANDE TUB ONLY SET, 8" CTRS	94	853.00
P0590M	P0590 MATTE NICKEL	94	888.00
P0590N	P0590 POLISHED NICKEL	94	853.00
P0590S	P0590 SUPERCOATED BRASS	94	850.00
P0590Z	P0590 OIL RUBBED BRONZE	94	897.00
P0591C	CHROME RIO GRANDE SHOWER ONLY SET, 8" CTRS	94	884.00
P0591M	P0591 MATTE NICKEL	94	972.00
P0591N	P0591 POLISHED NICKEL	94	884.00
P0591S	P0591 SUPERCOATED BRASS	94	934.00
P0591Z	P0591 OIL RUBBED BRONZE	94	987.00
P0606C	CHROME VACUUM BREAKER, 1/2" IPS M. X 1/2" IPS F., THIS GOES BETWEEN THE FAUCET AND THE HOSE	124	40.00
P0606M	P0606 MATTE NICKEL	124	41.00
P0606N	P0606 POLISHED NICKEL	124	40.00
P0606S	P0606 SUPERCOATED BRASS	124	40.00
P0606Z	P0606 OIL RUBBED BRONZE	124	41.00
P0607C	CHROME 18" TOWEL BAR	124	214.00
P0607M	P0607 MATTE NICKEL	124	239.00
P0607N	P0607 POLISHED NICKEL	124	214.00
P0607S	P0607 SUPERCOATED BRASS	124	214.00
P0608C	CHROME 24" TOWEL BAR	124	221.00
P0608M	P0608 MATTE NICKEL	124	246.00
P0608N	P0608 POLISHED NICKEL	124	221.00
P0608S	P0608 SUPERCOATED BRASS	124	221.00
P0609C	CHROME 30" TOWEL BAR	124	232.00
P0609M	P0609 MATTE NICKEL	124	258.00
P0609N	P0609 POLISHED NICKEL	124	232.00
P0609S	P0609 SUPERCOATED BRASS	124	232.00
P0610C	CHROME TOILET PAPER HOLDER	124	204.00
P0610M	P0610 MATTE NICKEL	124	230.00
P0610N	P0610 POLISHED NICKEL	124	204.00
P0610S	P0610 SUPERCOATED BRASS	124	204.00
P0611C	CHROME TOWEL RING	124	123.00
P0611M	P0611 MATTE NICKEL	124	135.00
P0611N	P0611 POLISHED NICKEL	124	123.00
P0611S	P0611 SUPERCOATED BRASS	124	123.00
P0612C	CHROME HOOK	124	89.00
P0612M	P0612 MATTE NICKEL	124	102.00
P0612N	P0612 POLISHED NICKEL	124	89.00
P0612S	P0612 SUPERCOATED BRASS	124	89.00
P0613C	CHROME SOAP DISH	124	127.00
P0613M	P0613 MATTE NICKEL	124	140.00
P0613N	P0613 POLISHED NICKEL	124	127.00
P0613S	P0613 SUPERCOATED BRASS	124	127.00
P0614C	CHROME TOOTHBRUSH/ GLASS HOLDER	124	127.00
P0614M	P0614 MATTE NICKEL	124	139.00
P0614N	P0614 POLISHED NICKEL	124	127.00
P0614S	P0614 SUPERCOATED BRASS	124	127.00

P Items - P Items

P0616C – P0630Z

ITEM #	DESCRIPTION	PG	PRICE
P0616C	CHROME OVERFLOW BRACKET PAIR ONLY, TO BE USED WITH WASTE & OVERFLOW & FREE STANDING SUPPLIES FITS 1 1/2" TUBING	82	88.00
P0616M	P0616 MATTE NICKEL	82	98.00
P0616N	P0616 POLISHED NICKEL	82	88.00
P0616S	P0616 SUPERCOATED BRASS	82	88.00
P0616Z	P0616 OIL RUBBED BRONZE	82	98.00
P0618C	CHROME SHORT CHAIN STAY & STOPPER, 1 1/2" DIAMETER	102	52.00
P0618M	P0618 MATTE NICKEL	96	57.00
P0618N	P0618 POLISHED NICKEL	96	52.00
P0618S	P0618 SUPERCOATED BRASS	96	52.00
P0618Z	P0618 OIL RUBBED BRONZE	96	57.00
P0620C	CHROME SINK HOLE COVER, 1 1/2" DIAMETER, 5/16" HIGH	96	27.00
P0620M	P0620 MATTE NICKEL	96	31.00
P0620N	P0620 POLISHED NICKEL	96	27.00
P0620S	P0620 SUPERCOATED BRASS	96	27.00
P0620Z	P0620 OIL RUBBED BRONZE	96	31.00
P0621C	CHROME EXTENDED SHOWER ARM, 15 1/4" LG	116	121.00
P0621M	P0621 MATTE NICKEL	116	133.00
P0621N	P0621 POLISHED NICKEL	116	121.00
P0621S	P0621 SUPERCOATED BRASS	116	121.00
P0621Z	P0621 OIL RUBBED BRONZE	116	133.00
P0622C	CHROME OFFSET PORC. HANDLE PR, 4" LONG	134	76.00
P0622M	P0622 MATTE NICKEL	134	88.00
P0622N	P0622 POLISHED NICKEL	134	76.00
P0622S	P0622 SUPERCOATED BRASS	134	76.00
P0623C	CHROME SHOWER HEAD W/15 1/4" ARM & ESCUTCHEON	116	339.00
P0623M	P0623 MATTE NICKEL	116	365.00
P0623N	P0623 POLISHED NICKEL	116	339.00
P0623S	P0623 SUPERCOATED BRASS	116	339.00
P0623Z	P0623 OIL RUBBED BRONZE	116	392.00
P0625C	CHROME DECK MOUNT FAUCET, VARIABLE CENTERS FROM 3 3/8" TO 9 3/8"	60	947.00
P0625M	P0625 MATTE NICKEL	60	1,019.00
P0625N	P0625 POLISHED NICKEL	60	947.00
P0625S	P0625 SUPERCOATED BRASS	60	947.00
P0625Z	P0625 OIL RUBBED BRONZE	60	1,019.00
P0626C	CHROME DECK MOUNT FAUCET, VARIABLE CTRS FROM 3 3/8" TO 12", INCLUDES VACUUM BREAKER	55	1,527.00
P0626M	P0626 MATTE NICKEL	55	1,850.00
P0626N	P0626 POLISHED NICKEL	55	1,527.00
P0626S	P0626 SUPERCOATED BRASS	55	1,751.00
P0626Z	P0626 OIL RUBBED BRONZE	55	1,850.00
P0627C	CHROME DECK MOUNT FAUCET, VARIABLE CTRS FROM 3 3/8" TO 12", INCLUDES VACUUM BREAKER	55	1,468.00
P0627M	P0627 MATTE NICKEL	55	1,794.00
P0627N	P0627 POLISHED NICKEL	55	1,468.00
P0627S	P0627 SUPERCOATED BRASS	55	1,693.00
P0627Z	P0627 OIL RUBBED BRONZE	55	1,794.00
P0629C	CHROME 4" CTR COLUMBIA LAV SET W/GOOSENECK SPOUT & PORCELAIN LEVER HANDLES. INCLUDES LIFT & TURN DRAIN	98	743.00
P0629M	P0629 MATTE NICKEL	98	771.00
P0629N	P0629 POLISHED NICKEL	98	743.00
P0629S	P0629 SUPERCOATED BRASS	98	746.00
P0629Z	P0629 OIL RUBBED BRONZE	98	771.00
P0630C	CHROME 4" CTR COLUMBIA LAV SET W/STRAIGHT SPOUT & X-POINT HANDLES INCLUDES LIFT & TURN DRAIN	98	740.00
P0630M	P0630 MATTE NICKEL	98	768.00
P0630N	P0630 POLISHED NICKEL	98	740.00
P0630S	P0630 SUPERCOATED BRASS	98	743.00
P0630Z	P0630 OIL RUBBED BRONZE	98	768.00

Suggested Retail Price List Catalog No. 1901

P Items - P Items

P0635C – P0658C

ITEM #	DESCRIPTION	PG	PRICE
P0635C	CHROME LEFT AND RIGHT LEG TUB SUPPLY SET, SINGLE OFFSET 1/2" OD TUBING, CENTERS VARIABLE. GOES INTO 1/2" IPS, FITS 3/4" IPS AT FAUCET. COMES WITH POLISHED BRASS NUTS, FLOOR ESC. & WASHERS, READY FOR INSTALLATION, APPROX 26" HIGH. INC 2 STRAIGHT STOPS	81	300.00
P0635M	P0635 MATTE NICKEL	81	330.00
P0635N	P0635 POLISHED NICKEL	81	300.00
P0635S	P0635 SUPERCOATED BRASS	81	347.00
P0635Z	P0635 OIL RUBBED BRONZE	81	347.00
P0635XC	CHROME LEFT AND RIGHT LEG TUB SUPPLY SET, SINGLE OFFSET 1/2" OD TUBING, CENTERS VARIABLE. GOES INTO 1/2" IPS, FITS 3/4" IPS AT FAUCET. COMES WITH POLISHED BRASS NUTS, FLOOR ESC. & WASHERS, READY FOR INSTALLATION, APPROX 26" HIGH. INC 2 STRAIGHT STOPS W/X-PT HANDLES	81	363.00
P0635XM	P0635X MATTE NICKEL	81	411.00
P0635XN	P0635X POLISHED NICKEL	81	363.00
P0635XS	P0635X SUPERCOATED BRASS	81	419.00
P0635XZ	P0635X OIL RUBBED BRONZE	81	429.00
P0636C	CHROME 1/2" IPS 90 DEGREE ELBOW	136	61.00
P0636M	P0636 MATTE NICKEL	136	76.00
P0636N	P0636 POLISHED NICKEL	136	61.00
P0636S	P0636 SUPERCOATED BRASS	136	61.00
P0636Z	P0636 OIL RUBBED BRONZE	136	76.00
P0641C	CHROME FREE STANDING LEG TUB SUPPLY SET W/ SHUTOFFS, 1/2" IPS, 24" HIGH, 3" DIAMETER FLOOR PLATE, 12" WALL BRACE, 2" DIA WALL ESCUTCHEON, THROW IS 4" FROM VERTICAL CENTER, CAN USE W/FAUCET, RISER OR ENCLOSURE SET	82	1,260.00
P0641M	P0641 MATTE NICKEL	82	1,369.00
P0641N	P0641 POLISHED NICKEL	82	1,260.00
P0641S	P0641 SUPERCOATED BRASS	82	1,260.00
P0641Z	P0641 OIL RUBBED BRONZE	82	1,369.00
P0641-28C	CHROME FREE STANDING LEG TUB SUPPLY SET W/ SHUTOFFS, 1/2" IPS, 28" HIGH, 3" DIAMETER FLOOR PLATE, 12" WALL BRACE, 2" DIA WALL ESCUTCHEON, THROW IS 4" FROM VERTICAL CENTER, CAN USE W/FAUCET, RISER OR ENCLOSURE SET	82	1,334.00
P0641-28M	P0641-28 MATTE NICKEL	82	1,429.00
P0641-28N	P0641-28 POLISHED NICKEL	82	1,335.00
P0641-28S	P0641-28 SUPERCOATED BRASS	82	1,335.00
P0641-28Z	P0641-28 OIL RUBBED BRONZE	82	1,429.00
P0643C	CHROME BATHCOCK ELL, 1 PR, 3/4" IPS NUT TO FAUCET, 1/2" IPS MALE THREADS	138	95.00
P0643M	P0643 MATTE NICKEL	138	109.00
P0643N	P0643 POLISHED NICKEL	138	95.00
P0643S	P0643 SUPERCOATED BRASS	138	95.00
P0643Z	P0643 OIL RUBBED BRONZE	138	109.00
P0644	PORCELAIN OVERFLOW PLATE 3 1/8" DIA	138	27.00
P0645C	CHROME 40" BOTTOM FOR P0009 & P0709 RISER, INCREASES HEIGHT TO 6 FEET OVERALL	116	88.00
P0645M	P0645 MATTE NICKEL	116	92.00
P0645N	P0645 POLISHED NICKEL	116	88.00
P0645S	P0645 SUPERCOATED BRASS	116	88.00
P0645Z	P0645 OIL RUBBED BRONZE	116	92.00
P0654C	CHROME 1/2" IPS MALE x 1/2" IPS FEMALE SHUT OFF VALVE W/LEVER HANDLE	138	126.00
P0654S	P0654 SUPERCOATED BRASS	138	126.00
P0655C	CHROME WALL MOUNT GOOSENECK FAUCET, 3 3/8" CTR	63	703.00
P0655M	P0655 MATTE NICKEL	63	752.00
P0655N	P0655 POLISHED NICKEL	63	703.00
P0655S	P0655 SUPERCOATED BRASS	63	762.00
P0655Z	P0655 OIL RUBBED BRONZE	63	752.00
P0658C	CHROME HOSE ELBOW W/ ESC., 1/2" IPS	138	57.00

P Items – P Items

P0658M – P0684Z

ITEM #	DESCRIPTION	PG	PRICE
P0658M	P0658 MATTE NICKEL	138	63.00
P0658N	P0658 POLISHED NICKEL	138	57.00
P0658S	P0658 SUPERCOATED BRASS	138	57.00
P0658Z	P0658 OIL RUBBED BRONZE	138	63.00
P0659C	CHROME 4" COUPLER PAIR, 2 1/8" BASE	139	280.00
P0659M	P0659 MATTE NICKEL	139	289.00
P0659N	P0659 POLISHED NICKEL	139	280.00
P0659S	P0659 SUPERCOATED BRASS	139	280.00
P0659Z	P0659 OIL RUBBED BRONZE	139	289.00
P0660C	CHROME 10" EXTENSION NIPPLE EACH, 1/2" IPS	138	65.00
P0660M	P0660 MATTE NICKEL	138	73.00
P0660N	P0660 POLISHED NICKEL	138	65.00
P0660S	P0660 SUPERCOATED BRASS	138	65.00
P0660Z	P0660 OIL RUBBED BRONZE	138	73.00
P0661C	CHROME LAVATORY DRAIN - NO OVERFLOW WITH EASY LIFT STOPPER, 6 3/4" x 1 1/4" DIA TUBE	137	62.00
P0661M	P0661 MATTE NICKEL	137	67.00
P0661N	P0661 POLISHED NICKEL	137	62.00
P0661S	P0661 SUPERCOATED BRASS	137	71.00
P0661Z	P0661 OIL RUBBED BRONZE	137	67.00
P0675C	CHROME DECK MOUNT SUPPLY SET, SUPPLY LINES 29" LONG, FLOOR TO DECK 32"	81	286.00
P0675M	P0675 MATTE NICKEL	81	335.00
P0675N	P0675 POLISHED NICKEL	81	286.00
P0675S	P0675 SUPERCOATED BRASS	81	333.00
P0675Z	P0675 OIL RUBBED BRONZE	81	335.00
P0675XC	CHROME DECK MOUNT SUPPLY SET, SUPPLY LINES 29" LONG, FLOOR TO DECK 32". INCLUDES 2 STRAIGHT STOPS W/X-POINT HANDLES	81	350.00
P0675XM	P0675X MATTE NICKEL	81	404.00
P0675XN	P0675X POLISHED NICKEL	81	350.00
P0675XS	P0675X SUPERCOATED BRASS	81	405.00
P0675XZ	P0675X OIL RUBBED BRONZE	81	415.00
P0677C	CHROME 2" COUPLERS, 2 1/8" BASE	139	209.00
P0677M	P0677 MATTE NICKEL	139	224.00
P0677N	P0677 POLISHED NICKEL	139	209.00
P0677S	P0677 SUPERCOATED BRASS	139	209.00
P0677Z	P0677 OIL RUBBED BRONZE	139	224.00
P0678C	CHROME WALL MOUNT SHOWER SET WITH EXPOSED RISER. INCLUDES VALVE BODY, WALL BRACE, RISER AND SHOWER HEAD, 3 3/8" CENTERS, ROUGH IN 1/2" IPS 1/2" PAST FINISHED WALL	111	1,345.00
P0678M	P0678 MATTE NICKEL	111	1,420.00
P0678N	P0678 POLISHED NICKEL	111	1,345.00
P0678S	P0678 SUPERCOATED BRASS	111	1,404.00
P0678Z	P0678 OIL RUBBED BRONZE	111	1,420.00
P0679C	CHROME 12" BRACE. CLAMP FITS 1/2" IPS, 3/4" OD TUBE	82	84.00
P0679M	P0679 MATTE NICKEL	82	98.00
P0679N	P0679 POLISHED NICKEL	82	84.00
P0679S	P0679 SUPERCOATED BRASS	82	84.00
P0679Z	P0679 OIL RUBBED BRONZE	82	98.00
P0680C	CHROME HAND HELD SHOWER SLIDE BAR ONLY, 5/8" OD, 24" LONG	117	244.00
P0680M	P0680 MATTE NICKEL	117	259.00
P0680N	P0680 POLISHED NICKEL	117	244.00
P0680S	P0680 SUPERCOATED BRASS	117	259.00
P0680Z	P0680 OIL RUBBED BRONZE	117	259.00
P0684C	CHROME DECK MOUNT GOOSENECK FAUCET W/HANDHELD. ADJUSTABLE CTRS FROM 3 3/8" TO 9 3/8", INC VACUUM BREAKER	60	1,373.00
P0684M	P0684 MATTE NICKEL	60	1,578.00
P0684N	P0684 POLISHED NICKEL	60	1,373.00
P0684S	P0684 SUPERCOATED BRASS	60	1,582.00
P0684Z	P0684 OIL RUBBED BRONZE	60	1,578.00

Suggested Retail Price List Catalog No. 1901

P Items - P Items

P0691C – P0703XZ

ITEM #	DESCRIPTION	PG	PRICE
P0691C	CHROME SHOWER RISER WITH 10" GOOSENECK PROJECTION, HEIGHT OVER 6 FEET, 5/8" TUBING O.D., 37" TOP, 40" BOTTOM, 1/2" IPS SHOWER HEAD CONNECTION, 1/2 X 20 NATIONAL FINE THREAD INTO COUPLER	36	302.00
P0691M	P0691 MATTE NICKEL	36	337.00
P0691N	P0691 POLISHED NICKEL	36	302.00
P0691S	P0691 SUPERCOATED BRASS	36	302.00
P0691Z	P0691 OIL RUBBED BRONZE	36	337.00
P0694C	36" LONG CHROME RISER, 1/2" IRON PIPE SIZE, 3/4" O.D., 1/2" THREADS ON 1 END	104	174.00
P0694M	P0694 MATTE NICKEL	104	189.00
P0694N	P0694 POLISHED NICKEL	104	174.00
P0694S	P0694 SUPERCOATED BRASS	104	174.00
P0694Z	P0694 OIL RUBBED BRONZE	104	189.00
P0696C	CHROME HANDHELD BRACKET FITS 5/8" OD SLIDE BAR	117	109.00
P0696M	P0696 MATTE NICKEL	117	117.00
P0696N	P0696 POLISHED NICKEL	117	109.00
P0696S	P0696 SUPERCOATED BRASS	117	117.00
P0696Z	P0696 OIL RUBBED BRONZE	117	117.00
P0698C	CHROME SIDE MOUNT SHOWER ENCLOSURE, 57" X 31", INCLUDES 12" & 36" BRACES, USE OUR P0709 SHORT THROW RISER.	85	804.00
P0698M	P0698 MATTE NICKEL	85	954.00
P0698N	P0698 POLISHED NICKEL	85	804.00
P0698S	P0698 SUPERCOATED BRASS	85	804.00
P0698Z	P0698 OIL RUBBED BRONZE	85	954.00
P0699C	CHROME AQUEDUCT STANDING WASTE, INCLUDES SUPPLIES, DRAIN AND VALVES	78	5,488.00
P0699M	P0699 MATTE NICKEL	78	5,830.00
P0699N	P0699 POLISHED NICKEL	78	5,488.00
P0699S	P0699 SUPERCOATED BRASS	78	5,488.00
P0700	P0700 THE GENEVA 5' CAST IRON T RADITIONAL TUB ON LEGS WITH 3 3/8" CENTER TO CENTER FAUCET HOLES. INCLUDES NON-SLIP ADHESIVE STRIPS.		
P0700C	P0700 WITH CHROME LEGS	26	4,200.00
P0700M	P0700 WITH MATTE NICKEL LEGS	26	4,200.00
P0700N	P0700 WITH POLISHED NICKEL LEGS	26	4,200.00
P0700S	P0700 WITH SUPERCOATED BRASS LEGS	26	4,200.00
P0700W	P0700 WITH WHITE LEGS	26	3,920.00
P0700Z	P0700 WITH OIL RUBBED BRONZE LEGS	26	4,200.00
P0703C	CHROME 1/2" SLIP JOINT X 1/2" COPPER COMPRESSION STRAIGHT STOP	137	99.00
P0703M	P0703 MATTE NICKEL	137	105.00
P0703N	P0703 POLISHED NICKEL	137	99.00
P0703S	P0703 SUPERCOATED BRASS	137	99.00
P0703Z	P0703 OIL RUBBED BRONZE	137	105.00
P0703PC	CHROME P0703 WITH PORCELAIN HANDLE. SPECIFY HOT OR COLD	137	132.00
P0703PS	P0703P SUPERCOATED BRASS	137	132.00
P0703XC	CHROME P0703 WITH CROSS POINT HANDLE. SPECIFY HOT OR COLD	137	135.00
P0703XM	P0703X MATTE NICKEL	137	146.00
P0703XN	P0703X POLISHED NICKEL	137	135.00
P0703XS	P0703X SUPERCOATED BRASS	137	135.00
P0703XZ	P0703X OIL RUBBED BRONZE	137	146.00

P Items - P Items

P0704 – P0717M

ITEM #	DESCRIPTION	PG	PRICE
P0704	P0704 THE TAHOE 5 1/2' CAST IRON SLIPPER TUB ON LEGS WITH 7" CENTER TO CENTER DECK MOUNT FAUCET HOLES. INCLUDES NON-SLIP ADHESIVE STRIPS.		
P0704C	P0704 WITH CHROME LEGS	28	5,040.00
P0704M	P0704 WITH MATTE NICKEL LEGS	28	5,040.00
P0704N	P0704 WITH POLISHED NICKEL LEGS	28	5,040.00
P0704S	P0704 WITH SUPERCOATED BRASS LEGS	28	5,040.00
P0704W	P0704 WITH WHITE LEGS	28	4,480.00
P0704Z	P0704 WITH OIL RUBBED BRONZE LEGS	28	5,040.00
P0705	P0705 THE TAHOE 5 1/2' CAST IRON SLIPPER TUB ON LEGS WITHOUT FAUCET HOLES. INCLUDES NON-SLIP ADHESIVE STRIPS.		
P0705C	P0705 WITH CHROME LEGS	28	5,040.00
P0705M	P0705 WITH MATTE NICKEL LEGS	28	5,040.00
P0705N	P0705 WITH POLISHED NICKEL LEGS	28	5,040.00
P0705S	P0705 WITH SUPERCOATED BRASS LEGS	28	5,040.00
P0705W	P0705 WITH WHITE LEGS	28	4,480.00
P0705Z	P0705 WITH OIL RUBBED BRONZE LEGS	28	5,040.00
P0706	PORCELAIN TUB COASTERS, SET OF 4, WILL NOT FIT ON P0037 OR ANY CLAW FOOT LEG WITHOUT BALL, ADDS 7/8" TUB HEIGHT	28	48.00
P0708C	CHROME RECTANGULAR BASE LEG TUB FAUCET, 3 3/8" CENTERS, PLATE IS 1 7/8" X 5 1/4"	51	471.00
P0708M	P0708 MATTE NICKEL	51	515.00
P0708N	P0708 POLISHED NICKEL	51	471.00
P0708S	P0708 SUPERCOATED BRASS	51	471.00
P0709C	CHROME SHOWER RISER WITH 8" GOOSENECK PROJECTION, HEIGHT OVER 5 FEET, 5/8" TUBING O.D., 37" TOP, 27" BOTTOM, 1/2" IPS SHOWER HEAD CONNECTION, 1/2 X 20 NATIONAL FINE THREAD INTO COUPLER	85	211.00
P0709M	P0709 MATTE NICKEL	85	249.00
P0709N	P0709 POLISHED NICKEL	85	211.00
P0709S	P0709 SUPERCOATED BRASS	85	211.00
P0709Z	P0709 OIL RUBBED BRONZE	85	249.00
P0710	CONSOLE SINK WITH LEGS, FRONT 32 1/2" H, BACK 36 1/2"H, 32"W, 22" FROM WALL, OPENING IS 12 1/2" X 18 1/2 X 6" DEEP, 8" CENTERS.	123	1,058.00
P0710L	P0710 LEG PAIR ONLY	123	221.00
P0711C	CHROME REVERSE MODIFIED SWING ARM PAIR	139	237.00
P0711M	P0711 MATTE NICKEL	139	258.00
P0711N	P0711 POLISHED NICKEL	139	237.00
P0711S	P0711 SUPERCOATED BRASS	139	237.00
P0711Z	P0711 OIL RUBBED BRONZE	139	258.00
P0712C	CHROME DECK MOUNT FAUCET W/VARIABLE CENTERS	60	947.00
P0712M	P0712 MATTE NICKEL	60	1,019.00
P0712N	P0712 POLISHED NICKEL	60	947.00
P0712S	P0712 SUPERCOATED BRASS	60	1,006.00
P0712Z	P0712 OIL RUBBED BRONZE	60	1,019.00
P0713C	CHROME EXPOSED WALL MOUNT SHOWER SET,INCLUDES DIVERTER VALVE, HANDHELD SHOWER, BRACKET, WALL BRACE, RISER & SHOWER HEAD 3 3/8" CTR	111	1,853.00
P0713M	P0713 MATTE NICKEL	111	2,186.00
P0713N	P0713 POLISHED NICKEL	111	1,853.00
P0713S	P0713 SUPERCOATED BRASS	111	1,962.00
P0713Z	P0713 OIL RUBBED BRONZE	111	2,186.00
P0717C	CHROME 6" SWING ARM COUPLERS, PAIR	139	274.00
P0717M	P0717 MATTE NICKEL	139	300.00

Suggested Retail Price List Catalog No. 1901

P Items - P Items		P0717N – P0730EXTS	
ITEM #	DESCRIPTION	PG	PRICE
P0717N	P0717 POLISHED NICKEL	139	274.00
P0717S	P0717 SUPERCOATED BRASS	139	274.00
P0717Z	P0717 OIL RUBBED BRONZE	139	300.00
P0718C	CHROME 6" X 1/2" IPS NIPPLE	138	39.00
P0718M	P0718 MATTE NICKEL	138	50.00
P0718N	P0718 POLISHED NICKEL	138	39.00
P0718S	P0718 SUPERCOATED BRASS	138	39.00
P0718Z	P0718 OIL RUBBED BRONZE	138	50.00
P0719C	CHROME 8" X 1/2" IPS NIPPLE	138	50.00
P0719M	P0719 MATTE NICKEL	138	63.00
P0719N	P0719 POLISHED NICKEL	138	50.00
P0719S	P0719 SUPERCOATED BRASS	138	50.00
P0719Z	P0719 OIL RUBBED BRONZE	138	63.00
P0720C	CHROME 12" X 1/2" IPS NIPPLE	138	80.00
P0720M	P0720 MATTE NICKEL	138	94.00
P0720N	P0720 POLISHED NICKEL	138	80.00
P0720S	P0720 SUPERCOATED BRASS	138	80.00
P0720Z	P0720 OIL RUBBED BRONZE	138	94.00
P0721C	CHROME 24" X 1/2" IPS NIPPLE	138	146.00
P0721M	P0721 MATTE NICKEL	138	151.00
P0721N	P0721 POLISHED NICKEL	138	146.00
P0721S	P0721 SUPERCOATED BRASS	138	146.00
P0721Z	P0721 OIL RUBBED BRONZE	138	151.00
P0722C	CHR 1/2" FEMALE X 1/2" FEMALE IPS ELBOW	138	44.00
P0722M	P0722 MATTE NICKEL	138	50.00
P0722N	P0722 POLISHED NICKEL	138	44.00
P0722S	P0722 SUPERCOATED BRASS	138	44.00
P0722Z	P0722 OIL RUBBED BRONZE	138	50.00
P0723C	CHROME 1/2" IPS FEM/FEM/FEM TEE	138	55.00
P0723M	P0723 MATTE NICKEL	138	59.00
P0723N	P0723 POLISHED NICKEL	138	55.00
P0723S	P0723 SUPERCOATED BRASS	138	55.00
P0723Z	P0723 OIL RUBBED BRONZE	138	59.00
P0724C	CHROME 1/2" IPS FEMALE/FEMALE COUPLER	138	36.00
P0724M	P0724 MATTE NICKEL	138	41.00
P0724N	P0724 POLISHED NICKEL	138	36.00
P0724S	P0724 SUPERCOATED BRASS	138	36.00
P0724Z	P0724 OIL RUBBED BRONZE	138	41.00
P0725C	CHROME AQUEDUCT HANDLE PAIR	135	174.00
P0725M	P0725 MATTE NICKEL	135	182.00
P0725N	P0725 POLISHED NICKEL	135	174.00
P0725S	P0725 SUPERCOATED BRASS	135	174.00
P0729C	CHROME DECK MOUNT SHOWER ENCLOSURE SET, INCLUDES FAUCET, RISER, 45" x 25" ENCLOSURE & SHOWER HEAD	28	2,088.00
P0729M	P0729 MATTE NICKEL	28	2,328.00
P0729N	P0729 POLISHED NICKEL	28	2,088.00
P0729S	P0729 SUPERCOATED BRASS	28	2,250.00
P0729Z	P0729 OIL RUBBED BRONZE	28	2,328.00
P0729EXTC	CHROME DECK MOUNT SHOWER ENCLOSURE SET INCLUDES FAUCET, RISER, EXTENDED 57" X 31" ENCLOSURE & SHOWER HEAD	28	2,142.00
P0729EXTM	P0729EXT MATTE NICKEL	28	2,435.00
P0729EXTN	P0729EXT POLISHED NICKEL	28	2,142.00
P0729EXTS	P0729EXT SUPERCOATED BRASS	28	2,303.00
P0729EXTZ	P0729EXT OIL RUBBED BRONZE	28	2,435.00
P0730C	CHROME DECK MOUNT SHOWER ENCLOSURE SET, INCLUDES FAUCET, HANDHELD SHOWER, RISER, 45" x 25" ENCLOSURE & SHOWER HEAD	41	2,510.00
P0730M	P0730 MATTE NICKEL	41	2,902.00
P0730N	P0730 POLISHED NICKEL	41	2,510.00
P0730S	P0730 SUPERCOATED BRASS	41	2,715.00
P0730Z	P0730 OIL RUBBED BRONZE	41	3,212.00
P0730EXTC	CHROME DECK MOUNT SHOWER ENCLOSURE SET INCLUDES FAUCET, HANDHELD SHOWER, RISER, EXTENDED 57" X 31" ENCLOSURE & SHOWER HEAD	41	2,564.00
P0730EXTM	P0730EXT MATTE NICKEL	41	2,985.00
P0730EXTN	P0730EXT POLISHED NICKEL	41	2,564.00
P0730EXTS	P0730EXT SUPERCOATED BRASS	41	2,769.00

P Items – P Items		P0730EXTZ – P0760Z	
ITEM #	DESCRIPTION	PG	PRICE
P0730EXTZ	P0730EXT OIL RUBBED BRONZE	41	3,380.00
P0731	P0731 THE HARMONY 4' CAST IRON TRADITIONAL TUB ON LEGS WITH 3 3/8" CENTER TO CENTER FAUCET HOLES. INCLUDES NON-SLIP ADHESIVE STRIPS.		
P0731C	P0731 WITH CHROME LEGS	27	3,710.00
P0731M	P0731 WITH MATTE NICKEL LEGS	27	3,710.00
P0731N	P0731 WITH POLISHED NICKEL LEGS	27	3,710.00
P0731S	P0731 WITH SUPERCOATED BRASS LEGS	27	3,710.00
P0731W	P0731 WITH WHITE LEGS	27	3,430.00
P0731Z	P0731 WITH OIL RUBBED BRONZE LEGS	27	3,710.00
P0732C	CHROME SHOWER RISER WITH 8" GOOSENECK PROJECTION, HEIGHT OVER 6 FEET, 5/8" TUBING O.D., 37" TOP, 40" BOTTOM, 1/2" IPS SHOWER HEAD CONNECTION, 1/2 X 20 NATIONAL FINE THREAD INTO COUPLER	85	298.00
P0732M	P0732 MATTE NICKEL	85	317.00
P0732N	P0732 POLISHED NICKEL	85	298.00
P0732S	P0732 SUPERCOATED BRASS	85	298.00
P0732Z	P0732 OIL RUBBED BRONZE	85	341.00
P0749C	CHROME 4" x 1/2" IPS NIPPLE	138	29.00
P0749M	P0749 MATTE NICKEL	138	32.00
P0749N	P0749 POLISHED NICKEL	138	29.00
P0749S	P0749 SUPERCOATED BRASS	138	29.00
P0749Z	P0749 OIL RUBBED BRONZE	138	32.00
P0750C	CHROME STRAIGHT STOP WITH PLAIN PORCELAIN HANDLES, 1/2" X 1/2" IPS	138	189.00
P0750M	P0750 MATTE NICKEL	138	193.00
P0750N	P0750 POLISHED NICKEL	138	189.00
P0750S	P0750 SUPERCOATED BRASS	138	189.00
P0750Z	P0750 OIL RUBBED BRONZE	138	193.00
P0757C	CHROME CIRCULAR SHOWER ENCLOSURE, 32" DIAMETER WITH 12" WALL BRACE & 36" CEILING BRACE	85	538.00
P0757M	P0757 MATTE NICKEL	85	616.00
P0757N	P0757 POLISHED NICKEL	85	538.00
P0757S	P0757 SUPERCOATED BRASS	85	515.00
P0757Z	P0757 OIL RUBBED BRONZE	85	616.00
P0758C	CHROME MALE X MALE NIPPLE, 1 1/4" X 1/2"	138	20.00
P0758M	P0758 MATTE NICKEL	138	25.00
P0758N	P0758 POLISHED NICKEL	138	20.00
P0758S	P0758 SUPERCOATED BRASS	138	20.00
P0758Z	P0758 OIL RUBBED BRONZE	138	25.00
P0759C	CHROME CIRCULAR SHOWER ENCLOSURE SET. INCL: FAUCET, RISER, 32" DIAMETER ENCLOSURE & P0010C SHOWER HEAD	27	1,599.00
P0759M	P0759 MATTE NICKEL	27	1,790.00
P0759N	P0759 POLISHED NICKEL	27	1,599.00
P0759S	P0759 SUPERCOATED BRASS	27	1,737.00
P0759Z	P0759 OIL RUBBED BRONZE	27	1,861.00
P0760	P0760 THE LUCERNE 5' CAST IRON SLIPPER TUB ON LEGS WITH 7" CENTER TO CENTER RIM MOUNT FAUCET HOLES. INCLUDES OUR ROLL RIM ADAPTERS, SPECIFY FINISH. INCLUDES NON-SLIP ADHESIVE STRIPS.		
P0760C	P0760 WITH CHROME LEGS	29	4,900.00
P0760M	P0760 WITH MATTE NICKEL LEGS	29	4,900.00
P0760N	P0760 WITH POLISHED NICKEL LEGS	29	4,900.00
P0760S	P0760 WITH SUPERCOATED BRASS LEGS	29	4,900.00
P0760W	P0760 WITH WHITE LEGS	29	4,480.00
P0760Z	P0760 WITH OIL RUBBED BRONZE LEGS	29	4,900.00

Suggested Retail Price List Catalog No. 1901

P Items - P Items

P0762 – P0769

ITEM #	DESCRIPTION	PG	PRICE
P0762	P0762 THE LUCERNE 5' CAST IRON SLIPPER TUB ON LEGS WITHOUT FAUCET HOLES INCLUDES NON-SLIP ADHESIVE STRIPS.		
P0762C	P0762 WITH CHROME LEGS	30	4,760.00
P0762M	P0762 WITH MATTE NICKEL LEGS	30	4,760.00
P0762N	P0762 WITH POLISHED NICKEL LEGS	30	4,760.00
P0762S	P0762 WITH SUPERCOATED BRASS LEGS	30	4,760.00
P0762W	P0762 WITH WHITE LEGS	30	4,340.00
P0762Z	P0762 WITH OIL RUBBED BRONZE LEGS	30	4,760.00
P0763C	CHROME DECK MOUNT ROLL RIM ADAPTERS, ONLY FITS OUR P0760, P0885, P0956, P0964, P1111 & P1167	53	237.00
P0763M	P0763 MATTE NICKEL	53	237.00
P0763N	P0763 POLISHED NICKEL	53	237.00
P0763S	P0763 SUPERCOATED BRASS	53	237.00
P0763Z	P0763 OIL RUBBED BRONZE	53	237.00
P0765	P0765 THE CLOUD 5 1/2' CAST IRON DUAL TUB ON LEGS WITH 7" CENTER TO CENTER DECK MOUNT FAUCET HOLES. INCLUDES NON-SLIP ADHESIVE STRIPS.		
P0765C	P0765 WITH CHROME LEGS	24	4,900.00
P0765M	P0765 WITH MATTE NICKEL LEGS	24	4,900.00
P0765N	P0765 WITH POLISHED NICKEL LEGS	24	4,900.00
P0765S	P0765 WITH SUPERCOATED BRASS LEGS	24	4,900.00
P0765W	P0765 WITH WHITE LEGS	24	4,480.00
P0765Z	P0765 WITH OIL RUBBED BRONZE LEGS	24	4,900.00
P0766	P0766 THE LAGOON 5 1/2' CAST IRON DUAL TUB ON PEDESTAL WITH 7" CENTER TO CENTER DECK MOUNT FAUCET HOLES INC NON-SLIP ADHESIVE STRIPS.	25	4,760.00
P0767	P0767 THE CRESCENT 6' CAST IRON DOUBLE ENDED SLIPPER TUB ON LEGS WITH 7" CENTER TO CENTER DECK MOUNTED FAUCET HOLES. INCLUDES NON-SLIP ADHESIVE STRIPS.		
P0767C	P0767 WITH CHROME LEGS	20	5,810.00
P0767M	P0767 WITH MATTE NICKEL LEGS	20	5,810.00
P0767N	P0767 WITH POLISHED NICKEL LEGS	20	5,810.00
P0767S	P0767 WITH SUPERCOATED BRASS LEGS	20	5,810.00
P0767W	P0767 WITH WHITE LEGS	20	5,390.00
P0767Z	P0767 WITH OIL RUBBED BRONZE	20	5,810.00
P0768	P0768 THE CLOUD 5 1/2' CAST IRON DUAL TUB ON LEGS WITHOUT FAUCET HOLES. INC NON-SLIP ADHESIVE STRIPS.		
P0768C	P0768 WITH CHROME LEGS	24	4,830.00
P0768M	P0768 WITH MATTE NICKEL LEGS	24	4,830.00
P0768N	P0768 WITH POLISHED NICKEL LEGS	24	4,830.00
P0768S	P0768 WITH SUPERCOATED BRASS LEGS	24	4,830.00
P0768W	P0768 WITH WHITE LEGS	24	4,410.00
P0768Z	P0768 WITH OIL RUBBED BRONZE LEGS	24	4,830.00
P0769	P0769 THE LAGOON 5 1/2' CAST IRON DUAL TUB ON PEDESTAL WITHOUT FAUCET HOLES. INCLUDES NON-SLIP ADHESIVE STRIPS.	25	4,760.00

P Items – P Items

P0770 – P0782S

ITEM #	DESCRIPTION	PG	PRICE
P0770	P0770 THE CRESCENT 6' CAST IRON DOUBLE ENDED SLIPPER TUB ON LEGS WITHOUT FAUCET HOLES. INCLUDES NON-SLIP ADHESIVE STRIPS.		
P0770C	P0770 WITH CHROME LEGS	20	5,810.00
P0770M	P0770 WITH MATTE NICKEL LEGS	20	5,810.00
P0770N	P0770 WITH POLISHED NICKEL LEGS	20	5,810.00
P0770S	P0770 WITH SUPERCOATED BRASS LEGS	20	5,810.00
P0770W	P0770 WITH WHITE LEGS	20	5,390.00
P0770Z	P0770 WITH OIL RUBBED BRONZE LEGS	20	5,810.00
P0771C	CHROME SIDE/DECK MOUNT SHOWER ENCLOSURE SET. INCLUDES FAUCET, HANDHELD SHOWER, RISER, EXTENDED 57" X 31" ENCLOSURE & SHOWER HEAD	25	2,701.00
P0771M	P0771 MATTE NICKEL	25	2,957.00
P0771N	P0771 POLISHED NICKEL	25	2,701.00
P0771S	P0771 SUPERCOATED BRASS	25	2,906.00
P0771Z	P0771 OIL RUBBED BRONZE	25	3,428.00
P0772	P0772 THE MAMMOTH 75" ACRYLIC DUAL TUB ON PEDESTAL WITH 7" CENTER TO CENTER DECK MOUNT FAUCET HOLES INCLUDES NON-SLIP ADHESIVE STRIPS.	18	4,410.00
P0773	P0773 THE MAMMOTH 75" ACRYLIC DUAL TUB ON PEDESTAL WITHOUT FAUCET HOLES. INC NON-SLIP ADHESIVE STRIPS.	18	4,410.00
P0774	P0774 THE PANORAMA 42" CAST IRON SHOWER PAN ON LEGS, 2" ROLL, 6" DEEP, LEGS PUT PAN 6" FROM FLOOR, USE OUR P0780 DRAIN. INCLUDES NON-SLIP ADHESIVE STRIPS.		
P0774C	P0774 WITH CHROME LEGS	31	3,220.00
P0774M	P0774 WITH MATTE NICKEL LEGS	31	3,220.00
P0774N	P0774 WITH POLISHED NICKEL LEGS	31	3,220.00
P0774S	P0774 WITH SUPERCOATED BRASS LEGS	31	3,220.00
P0774W	P0774 WITH WHITE LEGS	31	3,080.00
P0774Z	P0774 WITH OIL RUBBED BRONZE LEGS	31	3,220.00
P0775	P0775 THE SONOMA 5' ACRYLIC DUAL TUB ON PEDESTAL WITH 7" CENTER TO CENTER DECK MOUNT FAUCET HOLES. INCLUDES NON-SLIP ADHESIVE STRIPS.	18	4,270.00
P0776	P0776 THE SONOMA 5' ACRYLIC DUAL TUB ON PEDESTAL WITHOUT FAUCET HOLES INCLUDES NON-SLIP ADHESIVE STRIPS.	18	4,270.00
P0777	P0777 THE PENINSULA 5' CAST IRON DUAL TUB ON PEDESTAL WITH 7" CENTER TO CENTER DECK MOUNT FAUCET HOLES INC NON-SLIP ADHESIVE STRIPS.	24	4,480.00
P0778	P0778 THE PENINSULA 5' CAST IRON DUAL TUB ON PEDESTAL WITHOUT HOLES. INC NON-SLIP ADHESIVE STRIPS.	24	4,480.00
P0780C	P0780 CHROME SHOWER PAN DRAIN, 4 1/4" FLANGE, FITS 2" SCHEDULE 40	31	228.00
P0780M	P0780 MATTE NICKEL	31	236.00
P0780N	P0780 POLISHED NICKEL	31	228.00
P0780S	P0780 SUPERCOATED BRASS	31	228.00
P0780Z	P0780 OIL RUBBED BRONZE	31	236.00
P0782C	CHROME DECO LEVER HANDLE PAIR	134	67.00
P0782M	P0782 MATTE NICKEL	134	70.00
P0782N	P0782 POLISHED NICKEL	134	67.00
P0782S	P0782 SUPERCOATED BRASS	134	67.00

Suggested Retail Price List Catalog No. 1901

P Items - P Items

P0782DC – P0794C

ITEM #	DESCRIPTION	PG	PRICE
P0782DC	CHROME DECO DIVERTER LEVER HANDLE	134	33.00
P0782DM	P0782D MATTE NICKEL	134	35.00
P0782DN	P0782D POLISHED NICKEL	134	33.00
P0782DS	P0782D SUPERCOATED BRASS	134	33.00
P0784	P0784 THE MOON 6" CAST IRON PEG LEG DOUBLE ENDED SLIPPER TUB WITH 7" CENTER TO CENTER DECK MOUNT FAUCET HOLES. INCLUDES NON-SLIP ADHESIVE STRIPS.		
P0784C	P0784 WITH CHROME LEGS	20	5,600.00
P0784M	P0784 WITH MATTE NICKEL LEGS	20	5,600.00
P0784N	P0784 WITH POLISHED NICKEL LEGS	20	5,600.00
P0784S	P0784 WITH SUPERCOATED BRASS LEGS	20	5,600.00
P0784W	P0784 WITH WHITE LEGS	20	5,180.00
P0784Z	P0784 WITH OIL RUBBED BRONZE LEGS	20	5,600.00
P0785	P0785 THE MOON 6" CAST IRON PEG LEG DOUBLE ENDED SLIPPER TUB WITHOUT FAUCET HOLES. INCLUDES NON-SLIP ADHESIVE STRIPS.		
P0785C	P0785 WITH CHROME LEGS	20	5,600.00
P0785M	P0785 WITH MATTE NICKEL LEGS	20	5,600.00
P0785N	P0785 WITH POLISHED NICKEL LEGS	20	5,600.00
P0785S	P0785 WITH SUPERCOATED BRASS LEGS	20	5,600.00
P0785W	P0785 WITH WHITE LEGS	20	5,180.00
P0785Z	P0785 WITH OIL RUBBED BRONZE LEGS	20	5,600.00
P0786C	CHROME ALL METAL HAND HELD SHOWER HEAD WITH HOSE, INCLUDES VACUUM BREAKER	117	300.00
P0786M	P0786 MATTE NICKEL	117	354.00
P0786N	P0786 POLISHED NICKEL	117	300.00
P0786S	P0786 SUPERCOATED BRASS	117	300.00
P0786Z	P0786 OIL RUBBED BRONZE	117	393.00
P0787C	CHROME 42" SQUARE ENCLOSURE WITH 3-36" CEILING BRACES	31	994.00
P0787M	P0787 MATTE NICKEL	31	1,134.00
P0787N	P0787 POLISHED NICKEL	31	994.00
P0787S	P0787 SUPERCOATED BRASS	31	994.00
P0788C	CHROME BRACKET FOR HAND HELD SHOWER. FITS 3/4" OD RISER	117	85.00
P0788M	P0788 MATTE NICKEL	117	98.00
P0788N	P0788 POLISHED NICKEL	117	85.00
P0788S	P0788 SUPERCOATED BRASS	117	85.00
P0788Z	P0788 OIL RUBBED BRONZE	117	98.00
P0789C	CHROME 16" X 1/2" IPS NIPPLE, MALE X MALE	138	101.00
P0789M	P0789 MATTE NICKEL	138	106.00
P0789N	P0789 POLISHED NICKEL	138	101.00
P0789S	P0789 SUPERCOATED BRASS	138	101.00
P0789Z	P0789 OIL RUBBED BRONZE	138	106.00
P0790C	CHROME 7" CTR WALL MOUNT BRITISH TELEPHONE FAUCET WITH LEVER HANDLES & ALL METAL HAND HELD SHOWER. INCLUDES VACUUM BREAKER	64	1,314.00
P0790M	P0790 MATTE NICKEL	64	1,495.00
P0790N	P0790 POLISHED NICKEL	64	1,314.00
P0790S	P0790 SUPERCOATED BRASS	64	1,473.00
P0790Z	P0790 OIL RUBBED BRONZE	64	1,560.00
P0793C	CHROME GOOSENECK LEGTUB FAUCET WITH HANDHELD SHOWER, 3 3/8" CTR INCLUDES VACUUM BREAKER	48	1,064.00
P0793M	P0793 MATTE NICKEL	48	1,170.00
P0793N	P0793 POLISHED NICKEL	48	1,064.00
P0793S	P0793 SUPERCOATED BRASS	48	1,244.00
P0793Z	P0793 OIL RUBBED BRONZE	48	1,282.00
P0794C	CHROME OFFSET DECK MOUNT COUPLERS, 6" TALL, 2 1/8" BASE DIA	139	367.00

P Items - P Items

P0794M – P0817Z

ITEM #	DESCRIPTION	PG	PRICE
P0794M	P0794 MATTE NICKEL	139	385.00
P0794N	P0794 POLISHED NICKEL	139	367.00
P0794S	P0794 SUPERCOATED BRASS	139	367.00
P0794Z	P0794 OIL RUBBED BRONZE	139	400.00
P0795C	CHROME DECK MOUNT FAUCET, ADJUSTABLE ENTERS. INCLUDES VACUUM BREAKER	61	1,458.00
P0795M	P0795 MATTE NICKEL	61	1,630.00
P0795N	P0795 POLISHED NICKEL	61	1,458.00
P0795S	P0795 SUPERCOATED BRASS	61	1,682.00
P0795Z	P0795 OIL RUBBED BRONZE	61	1,814.00
P0802C	CHROME DECK MOUNT FAUCET-TUB FILLER ONLY, SHOWER CAPPED OFF. 7" CTRS	55	1,009.00
P0802M	P0802 MATTE NICKEL	55	1,110.00
P0802N	P0802 POLISHED NICKEL	55	1,009.00
P0802S	P0802 SUPERCOATED BRASS	55	1,130.00
P0802Z	P0802 OIL RUBBED BRONZE	55	1,138.00
P0803C	CHROME DECK MOUNT FAUCET W/LEVER HANDLES-TUB FILLER ONLY, SHOWER CAPPED OFF. ADJUSTABLE CENTERS	61	1,026.00
P0803M	P0803 MATTE NICKEL	61	1,114.00
P0803N	P0803 POLISHED NICKEL	61	1,026.00
P0803S	P0803 SUPERCOATED BRASS	61	1,203.00
P0803Z	P0803 OIL RUBBED BRONZE	61	1,226.00
P0804C	CHROME GOOSENECK LEG TUB FAUCET W/ADJUSTABLE CENTERS	49	721.00
P0804M	P0804 MATTE NICKEL	49	747.00
P0804N	P0804 POLISHED NICKEL	49	721.00
P0804S	P0804 SUPERCOATED BRASS	49	780.00
P0804Z	P0804 OIL RUBBED BRONZE	49	778.00
P0805C	CHROME MISSISSIPPI WIDESPREAD LAV SET INCLUDES SPOUT (3 1/2" HIGH, 5 1/2" LONG), VALVES, LEVER HANDLES, ESC & POP-UP DRAIN	93	964.00
P0805M	P0805 MATTE NICKEL	93	998.00
P0805N	P0805 POLISHED NICKEL	93	936.00
P0805S	P0805 SUPERCOATED BRASS	93	936.00
P0806C	CHROME DECO T&S SET W/LEVERS, 9" CTRS	92	1,226.00
P0806M	P0806 MATTE NICKEL	92	1,333.00
P0806N	P0806 POLISHED NICKEL	92	1,226.00
P0806S	P0806 SUPERCOATED BRASS	92	1,226.00
P0807C	CHROME DECO TUB SET W/LEVERS, 8" CTRS	92	733.00
P0807M	P0807 MATTE NICKEL	92	767.00
P0807N	P0807 POLISHED NICKEL	92	733.00
P0807S	P0807 SUPERCOATED BRASS	92	733.00
P0808C	CHROME DECO SHOWER SET W/LEVERS, 8" CTRS	92	840.00
P0808M	P0808 MATTE NICKEL	92	928.00
P0808N	P0808 POLISHED NICKEL	92	840.00
P0808S	P0808 SUPERCOATED BRASS	92	840.00
P0812	P0812 THE CLARION 5' CAST IRON FARMHOUSE DRAINBOARD SINK ONLY WITHOUT LEGS. USE STANDARD 3 1/2" DRAIN.	128	4,760.00
P0813	P0813-LEGS ONLY FOR THE CLARION 5' CAST IRON FARMHOUSE DRAINBOARD SINK, LENGTH VARIES FROM 29 1/2" TO 35 7/8"	128	560.00
P0814	P0814 THE CLARION 5' CAST IRON FARMHOUSE DRAINBOARD SINK WITH P0813 SINK LEGS. USE STANDARD 3 1/2" DRAIN.	128	5,320.00
P0816C	CHROME TUB HOLE COVERS, PAIR, 2 3/8" DIA	80	136.00
P0816M	P0816 MATTE NICKEL	80	146.00
P0816N	P0816 POLISHED NICKEL	80	136.00
P0816S	P0816 SUPERCOATED BRASS	80	136.00
P0816Z	P0816 OIL RUBBED BRONZE	80	146.00
P0817C	CHROME 3/4" IPS CAP OFF NUT	138	22.00
P0817M	P0817 MATTE NICKEL	138	25.00
P0817N	P0817 POLISHED NICKEL	138	22.00
P0817S	P0817 SUPERCOATED BRASS	138	22.00
P0817Z	P0817 OIL RUBBED BRONZE	138	25.00

Suggested Retail Price List Catalog No. 1901

P Items - P Items		P0818C – P0832N	
ITEM #	DESCRIPTION	PG	PRICE
P0818C	CHROME TOWER DRAIN. TOTAL HEIGHT 26 1/2", WASTE TUBE 2 3/8" DIA & 3" DIA DRAIN STRAINER	79	1,843.00
P0818M	P0818 MATTE NICKEL	79	1,955.00
P0818N	P0818 POLISHED NICKEL	79	1,843.00
P0818S	P0818 SUPERCOATED BRASS	79	1,843.00
P0819C	CHROME SINGLES, DECK MOUNT, PAIR	79	967.00
P0819M	P0819 MATTE NICKEL	79	1,030.00
P0819N	P0819 POLISHED NICKEL	79	967.00
P0819S	P0819 SUPERCOATED BRASS	79	967.00
P0820C	CHROME SACRAMENTO WIDESPREAD LAV SET INCLUDES SPOUT W/RING (5" L, 4 7/8" HIGH), VALVES, X-POINT HANDLES, ESC & POP-UP DRAIN	89	957.00
P0820M	P0820 MATTE NICKEL	89	1,016.00
P0820N	P0820 POLISHED NICKEL	89	957.00
P0820S	P0820 SUPERCOATED BRASS	89	963.00
P0820Z	P0820 OIL RUBBED BRONZE	89	1,016.00
P0822C	CHROME SINGLES, DECK MOUNT, PAIR, W/PORCELAIN LEVER HANDLES	79	869.00
P0822M	P0822 MATTE NICKEL	79	932.00
P0822N	P0822 POLISHED NICKEL	79	869.00
P0822S	P0822 SUPERCOATED BRASS	79	886.00
P0823C	CHROME DECK MOUNT SUPPLIES W/6 SPOKE HANDLES	79	1,023.00
P0823M	P0823 MATTE NICKEL	79	1,119.00
P0823N	P0823 POLISHED NICKEL	79	1,023.00
P0823S	P0823 SUPERCOATED BRASS	79	1,023.00
P0824C	CHROME DECK MOUNT SUPPLIES W/PORCELAIN LEVER HANDLES	79	1,035.00
P0824M	P0824 MATTE NICKEL	79	1,050.00
P0824N	P0824 POLISHED NICKEL	79	1,035.00
P0824S	P0824 SUPERCOATED BRASS	79	1,035.00
P0825C	CHROME DECK MT KITCHEN FAUCET, 8" CENTERS. 12" SWIVEL SPOUT WITH SOAP DISH	130	1,163.00
P0825M	P0825 MATTE NICKEL	130	1,226.00
P0825N	P0825 POLISHED NICKEL	130	1,163.00
P0826C	CHROME DECK MT KITCHEN FAUCET, 8" CTRS. 9 1/2" ARCHED SWIVEL SPOUT	130	1,006.00
P0826M	P0826 MATTE NICKEL	130	1,069.00
P0826N	P0826 POLISHED NICKEL	130	1,006.00
P0827C	CHROME DECK MT KITCHEN FAUCET, 8" CENTERS. 12" SWIVEL SPOUT	130	1,105.00
P0827M	P0827 MATTE NICKEL	130	1,168.00
P0827N	P0827 POLISHED NICKEL	130	1,105.00
P0828C	CHROME WALL MT KITCHEN FAUCET. 12" SWIVEL SPOUT, LEVER HANDLES, 8" CTRS	131	974.00
P0828M	P0828 MATTE NICKEL	131	1,037.00
P0828N	P0828 POLISHED NICKEL	131	974.00
P0829C	CHROME WALL MT KITCHEN FAUCET. 6" SWIVEL SPOUT & LEVER HANDLES, 8" CTRS	131	910.00
P0829M	P0829 MATTE NICKEL	131	973.00
P0829N	P0829 POLISHED NICKEL	131	910.00
P0829S	P0829 SUPERCOATED BRASS	131	973.00
P0829Z	P0829Z OIL RUBBED BRONZE	131	973.00
P0830C	CHROME WALL MT KITCHEN FAUCET W/SWIVEL POT FILLER SPOUT & LEVER HANDLES, 8" CENTERS	131	1,023.00
P0830M	P0830 MATTE NICKEL	131	1,086.00
P0830N	P0830 POLISHED NICKEL	131	1,023.00
P0831C	CHROME DECK MT KITCHEN FAUCET 12" SWIVEL SPOUT, X-POINT HANDLES, 8" CENTERS	130	1,146.00
P0831M	P0831 MATTE NICKEL	130	1,209.00
P0831N	P0831 POLISHED NICKEL	130	1,146.00
P0832C	CHROME DECK MT KITCHEN FAUCET 6" SWIVEL SPOUT, LEVER HANDLES, 8" CENTERS	130	1,030.00
P0832M	P0832 MATTE NICKEL	130	1,093.00
P0832N	P0832 POLISHED NICKEL	130	1,030.00

P Items - P Items		P0833C – P0868M	
ITEM #	DESCRIPTION	PG	PRICE
P0833C	CHROME DECK MT KITCHEN FAUCET W/SWIVEL POT FILLER SPOUT & X-POINT, 8" CENTERS	130	1,194.00
P0833M	P0833 MATTE NICKEL	130	1,257.00
P0833N	P0833 POLISHED NICKEL	130	1,194.00
P0834C	CHROME WALL MT KITCHEN FAUCET, 8" CENTERS. 12" SWIVEL SPOUT W/SOAPDISH & LEVER HANDLES	131	1,098.00
P0834M	P0834 MATTE NICKEL	131	1,161.00
P0834N	P0834 POLISHED NICKEL	131	1,098.00
P0835C	CHROME WALL MT KITCHEN FAUCET, 8" CENTERS. 9 1/2" ARCHED SWIVEL SPOUT & LEVER HANDLES	131	942.00
P0835M	P0835 MATTE NICKEL	131	1,005.00
P0835N	P0835 POLISHED NICKEL	131	942.00
P0836C	CHROME WALL MT KITCHEN FAUCET, 8" CENTERS. 9 1/2" ARCHED SWIVEL SPOUT & X-POINT HANDLES	131	993.00
P0836M	P0836 MATTE NICKEL	131	1,056.00
P0836N	P0836 POLISHED NICKEL	131	993.00
P0844C	CHROME SACRAMENTO TUB & SHOWER SET, 9" CENTERS	87	1,202.00
P0844M	P0844 MATTE NICKEL	87	1,334.00
P0844N	P0844 POLISHED NICKEL	87	1,202.00
P0844S	P0844 SUPERCOATED BRASS	87	1,250.00
P0844Z	P0844 OIL RUBBED BRONZE	87	1,334.00
P0845C	CHROME SACRAMENTO TUB ONLY SET, 8" CENTERS	87	769.00
P0845M	P0845 MATTE NICKEL	87	810.00
P0845N	P0845 POLISHED NICKEL	87	769.00
P0845S	P0845 SUPERCOATED BRASS	87	769.00
P0845Z	P0845 OIL RUBBED BRONZE	87	810.00
P0846C	CHROME SACRAMENTO SHOWER ONLY SET, 8" CENTERS	87	800.00
P0846M	P0846 MATTE NICKEL	87	901.00
P0846N	P0846 POLISHED NICKEL	87	800.00
P0846S	P0846 SUPERCOATED BRASS	87	850.00
P0846Z	P0846 OIL RUBBED BRONZE	87	901.00
P0861C	CHROME RIO GRANDE 18" TOWEL BAR	124	214.00
P0861M	P0861 MATTE NICKEL	124	239.00
P0861N	P0861 POLISHED NICKEL	124	214.00
P0861S	P0861 SUPERCOATED BRASS	124	214.00
P0862C	CHROME RIO GRANDE 24" TOWEL BAR	124	221.00
P0862M	P0862 MATTE NICKEL	124	246.00
P0862N	P0862 POLISHED NICKEL	124	221.00
P0862S	P0862 SUPERCOATED BRASS	124	221.00
P0863C	CHROME RIO GRANDE 30" TOWEL BAR	124	232.00
P0863M	P0863 MATTE NICKEL	124	258.00
P0863N	P0863 POLISHED NICKEL	124	232.00
P0863S	P0863 SUPERCOATED BRASS	124	232.00
P0863Z	P0863 OIL RUBBED BRONZE	124	258.00
P0864C	CHROME RIO GRANDE TOILET PAPER HOLDER	124	204.00
P0864M	P0864 MATTE NICKEL	124	230.00
P0864N	P0864 POLISHED NICKEL	124	204.00
P0864S	P0864 SUPERCOATED BRASS	124	204.00
P0864Z	P0864 OIL RUBBED BRONZE	124	230.00
P0865C	CHROME RIO GRANDE TOWEL RING	124	123.00
P0865M	P0865 MATTE NICKEL	124	135.00
P0865N	P0865 POLISHED NICKEL	124	123.00
P0865S	P0865 SUPERCOATED BRASS	124	123.00
P0865Z	P0865 OIL RUBBED BRONZE	124	135.00
P0866C	CHROME RIO GRANDE HOOK	124	89.00
P0866M	P0866 MATTE NICKEL	124	102.00
P0866N	P0866 POLISHED NICKEL	124	89.00
P0866S	P0866 SUPERCOATED BRASS	124	89.00
P0866Z	P0866 OIL RUBBED BRONZE	124	102.00
P0867C	CHROME RIO GRANDE SOAP DISH	124	127.00
P0867M	P0867 MATTE NICKEL	124	140.00
P0867N	P0867 POLISHED NICKEL	124	127.00
P0867S	P0867 SUPERCOATED BRASS	124	127.00
P0868C	CHROME RIO GRANDE T/B & GLASS HOLDER	124	127.00
P0868M	P0868 MATTE NICKEL	124	139.00

Suggested Retail Price List Catalog No. 1901

P Items - P Items		P0868N – P0881Z	
ITEM #	DESCRIPTION	PG	PRICE
P0868N	P0868 POLISHED NICKEL	124	127.00
P0868S	P0868 SUPERCOATED BRASS	124	127.00
P0869C	CHROME SINGLE BODY SPRAY W/ESCUTCHEON, 1/2" IPS FEMALE INLET	117	102.00
P0869M	P0869 MATTE NICKEL	117	128.00
P0869N	P0869 POLISHED NICKEL	117	105.00
P0869S	P0869 SUPERCOATED BRASS	117	128.00
P0869Z	P0869 OIL RUBBED BRONZE	117	128.00
P0873C	CHROME 16" STRAIGHT SHOWER ARM ONLY	116	101.00
P0873M	P0873 MATTE NICKEL	116	106.00
P0873N	P0873 POLISHED NICKEL	116	101.00
P0873S	P0873 SUPERCOATED BRASS	116	101.00
P0873Z	P0873 OIL RUBBED BRONZE	116	106.00
P0875C	CHROME DIVERTER VALVE	115	230.00
P0875M	P0875 MATTE NICKEL	115	246.00
P0875N	P0875 POLISHED NICKEL	115	230.00
P0875S	P0875 SUPERCOATED BRASS	115	230.00
P0875Z	P0875 OIL RUBBED BRONZE	115	246.00
P0876C	CHROME VAULTED CEILING ANGLE BRACKET. FITS 1/2" OD TUBING	85	50.00
P0876M	P0876 MATTE NICKEL	85	57.00
P0876N	P0876 POLISHED NICKEL	85	50.00
P0876S	P0876 SUPERCOATED BRASS	85	50.00
P0876Z	P0876 OIL RUBBED BRONZE	85	57.00
P0877C	CHROME SOLID BRASS OVERFLOW PLATE & STOPPER KEEPER, 2 15/16" DIA	80	92.00
P0877M	P0877 MATTE NICKEL	80	108.00
P0877N	P0877 POLISHED NICKEL	80	92.00
P0877S	P0877 SUPERCOATED BRASS	80	92.00
P0877Z	P0877 OIL RUBBED BRONZE	80	108.00
P0879	P0879 THE WINDEMERE 70" ACRYLIC TUB WITH PEDESTAL ON LEGS, WITHOUT FAUCET HOLES. INCLUDES DRAIN, SPECIFY FINISH. INCLUDES NON-SLIP ADHESIVE STRIPS.		
P0879C	P0879 WITH CHROME DRAIN	9	4,620.00
P0879M	P0879 WITH MATTE NICKEL DRAIN	9	4,620.00
P0879N	P0879 WITH POLISHED NICKEL DRAIN	9	4,620.00
P0879S	P0879 WITH SUPERCOATED BRASS DRAIN	9	4,620.00
P0879Z	P0879 WITH OIL RUBBED BRONZE DRAIN	9	4,620.00
P0880	P0880 THE GENEVA 5' CAST IRON TRADITIONAL TUB ON LEGS WITHOUT FAUCET HOLES. INCLUDES NON-SLIP ADHESIVE STRIPS.		
P0880C	P0880 WITH CHROME LEGS	26	4,060.00
P0880M	P0880 WITH MATTE NICKEL LEGS	26	4,060.00
P0880N	P0880 WITH POLISHED NICKEL LEGS	26	4,060.00
P0880S	P0880 WITH SUPERCOATED BRASS LEGS	26	4,060.00
P0880W	P0880 WITH WHITE LEGS	26	3,780.00
P0880Z	P0880 WITH OIL RUBBED BRONZE LEGS	26	4,060.00
P0881	P0881 THE MENDOCINO 5' CAST IRON DUAL TUB ON LEGS WITH 7" CENTER TO CENTER DECK MOUNT FAUCET HOLES. INCLUDES NON-SLIP ADHESIVE STRIPS.		
P0881C	P0881 WITH CHROME LEGS	23	4,690.00
P0881M	P0881 WITH MATTE NICKEL LEGS	23	4,690.00
P0881N	P0881 WITH POLISHED NICKEL LEGS	23	4,690.00
P0881S	P0881 WITH SUPERCOATED BRASS LEGS	23	4,690.00
P0881W	P0881 WITH WHITE LEGS	23	4,270.00
P0881Z	P0881 WITH OIL RUBBED BRONZE LEGS	23	4,690.00

P Items - P Items		P0882 – P0889C	
ITEM #	DESCRIPTION	PG	PRICE
P0882	P0882 THE MENDOCINO 5' CAST IRON DUAL TUB ON LEGS WITHOUT FAUCET HOLES. INCLUDES NON-SLIP ADHESIVE STRIPS.		
P0882C	P0882 WITH CHROME LEGS	23	4,690.00
P0882M	P0882 WITH MATTE NICKEL LEGS	23	4,690.00
P0882N	P0882 WITH POLISHED NICKEL LEGS	23	4,690.00
P0882S	P0882 WITH SUPERCOATED BRASS LEGS	23	4,690.00
P0882W	P0882 WITH WHITE LEGS	23	4,270.00
P0882Z	P0882 WITH OIL RUBBED BRONZE LEGS	23	4,690.00
P0883	P0883 THE LUNA 6' CAST IRON DOUBLE ENDED SLIPPER TUB ON PEDESTAL WITH 7" CENTER TO CENTER DECK MOUNT FAUCET HOLES. INCLUDES NON-SLIP ADHESIVE STRIPS.	21	5,460.00
P0883B	P0883B THE LUNA BURNISHED & LACQUERED EXTERIOR 6' CAST IRON DOUBLE ENDED SLIPPER TUB ON PEDESTAL WITH 7" CENTER TO CENTER DECK MOUNT FAUCET HOLES. INCLUDES NON-SLIP ADHESIVE STRIPS.	21	6,580.00
P0884	P0884 THE LUNA 6' CAST IRON DOUBLE ENDED SLIPPER TUB ON PEDESTAL WITHOUT FAUCET HOLES. INCLUDES NON-SLIP ADHESIVE STRIPS.	21	5,460.00
P0884B	P0884 THE LUNA BURNISHED & LACQUERED EXTERIOR 6' CAST IRON DOUBLE ENDED SLIPPER TUB ON PEDESTAL WITHOUT FAUCET HOLES. INCLUDES NON-SLIP ADHESIVE STRIPS.	21	6,580.00
P0885	P0885 THE GENEVA 5' CAST IRON TRADITIONAL TUB WITH 7" CENTER TO CENTER RIM MOUNT FAUCET HOLES INCLUDES OUR ROLL RIM ADAPTERS, SPECIFY FINISH. INCLUDES NON-SLIP ADHESIVE STRIPS.		
P0885C	P0885 WITH CHROME LEGS	26	4,200.00
P0885M	P0885 WITH MATTE NICKEL LEGS	26	4,200.00
P0885N	P0885 WITH POLISHED NICKEL LEGS	26	4,200.00
P0885S	P0885 WITH SUPERCOATED BRASS LEGS	26	4,200.00
P0885W	P0885 WITH WHITE LEGS	26	3,920.00
P0885Z	P0885 WITH OIL RUBBED BRONZE LEGS	26	4,200.00
P0886C	CHROME WALL MT KITCHEN FAUCET 6" SWIVEL SPOUT W/SOAP DISH & LEVER HANDLES, 8" CENTERS	131	960.00
P0886M	P0886 MATTE NICKEL	131	1,023.00
P0886N	P0886 POLISHED NICKEL	131	960.00
P0887C	CHROME DECK MT KITCHEN FAUCET 6" SWIVEL SPOUT W/SOAP DISH & LEVER HANDLES, 8" CENTERS	130	1,079.00
P0887M	P0887 MATTE NICKEL	130	1,142.00
P0887N	P0887 POLISHED NICKEL	130	1,079.00
P0888C	CHROME RIO GRANDE WIDESPREAD LAV SET, INCLUDES SPOUT, VALVES, LEVER HANDLES, ESCUTCHEONS & POP-UP DRAIN	94	1,008.00
P0888M	P0888 MATTE NICKEL	94	1,088.00
P0888N	P0888 POLISHED NICKEL	94	1,008.00
P0888S	P0888 SUPERCOATED BRASS	94	1,008.00
P0888Z	P0888 OIL RUBBED BRONZE	94	1,088.00
P0889C	THERMOSTATIC FAUCET WITH HANDHELD, CENTERS 3 3/8" TO 11"	42	1,976.00

Suggested Retail Price List Catalog No. 1901

P Items - P Items

P0889M – P0901Z

ITEM #	DESCRIPTION	PG	PRICE
P0889M	P0889 MATTE NICKEL	42	2,145.00
P0889N	P0889 POLISHED NICKEL	42	1,976.00
P0889S	P0889 SUPERCOATED BRASS	42	2,161.00
P0889Z	P0889 OIL RUBBED BRONZE	42	2,388.00
P0890C	CHROME THERMOSTATIC SHOWER ENCLOSURE SET, INCLUDES FAUCET, HANDHELD SHOWER, RISER, 45" x 25" ENCLOSURE & SHOWER HEAD	38	3,128.00
P0890M	P0890 MATTE NICKEL	38	3,591.00
P0890N	P0890 POLISHED NICKEL	38	3,128.00
P0890S	P0890 SUPERCOATED BRASS	38	3,293.00
P0890Z	P0890 OIL RUBBED BRONZE	38	3,653.00
P0890EXTC	CHROME THERMOSTATIC SHOWER ENCLOSURE SET INCLUDES FAUCET, HANDHELD SHOWER, RISER, EXTENDED 57" X 31" ENCLOSURE & SHOWER HEAD	38	3,182.00
P0890EXTM	P0890EXT MATTE NICKEL	38	3,462.00
P0890EXTN	P0890EXT POLISHED NICKEL	38	3,182.00
P0890EXTS	P0890EXT SUPERCOATED BRASS	38	3,347.00
P0890EXTZ	P0890EXT OIL RUBBED BRONZE	38	3,760.00
P0891C	CHROME THERMOSTATIC DECK MOUNT FAUCET, 7" CENTERS	58	2,042.00
P0891M	P0891 MATTE NICKEL	58	2,247.00
P0891N	P0891 POLISHED NICKEL	58	2,042.00
P0891S	P0891 SUPERCOATED BRASS	58	2,226.00
P0891Z	P0891 OIL RUBBED BRONZE	58	2,462.00
P0892C	CHROME THERMOSTATIC SHOWER SET, 7" CENTERS, INCLUDES SUPPLIES, FAUCET, HAND HELD SHOWER, RISER & P0896C SHOWER HEAD	31	3,642.00
P0892M	P0892 MATTE NICKEL	31	4,018.00
P0892N	P0892 POLISHED NICKEL	31	3,642.00
P0892S	P0892 SUPERCOATED BRASS	31	3,855.00
P0894C	CHROME WALL MOUNT THERMOSTATIC FAUCET W HAND HELD SHOWER, 7" CTRS	67	1,987.00
P0894M	P0894 MATTE NICKEL	67	2,184.00
P0894N	P0894 POLISHED NICKEL	67	1,987.00
P0894S	P0894 SUPERCOATED BRASS	67	2,171.00
P0894Z	P0894 OIL RUBBED BRONZE	67	2,400.00
P0895C	CHROME SIDE/DECK MOUNT THERMOSTATIC SHOWER ENCLOSURE SET INCLUDES FAUCET, RISER, EXTENDED 57" X 31" ENCLOSURE & SHOWER HEAD	40	2,974.00
P0895M	P0895 MATTE NICKEL	40	3,282.00
P0895N	P0895 POLISHED NICKEL	40	2,974.00
P0895S	P0895 SUPERCOATED BRASS	40	3,112.00
P0895Z	P0895 OIL RUBBED BRONZE	40	3,461.00
P0896C	CHROME SHOWER HEAD ONLY, 8" DIAMETER 1/2" IPS FITTING	116	237.00
P0896M	P0896 MATTE NICKEL	116	309.00
P0896N	P0896 POLISHED NICKEL	116	237.00
P0896S	P0896 SUPERCOATED BRASS	116	309.00
P0896Z	P0896 OIL RUBBED BRONZE	116	408.00
P0897C	CHROME 8" SHOWER HEAD W/15" SHOWER ARM & ESCUTCHEON	116	368.00
P0897M	P0897 MATTE NICKEL	116	441.00
P0897N	P0897 POLISHED NICKEL	116	368.00
P0897S	P0897 SUPERCOATED BRASS	116	441.00
P0897Z	P0897 OIL RUBBED BRONZE	116	556.00
P0898C	CHROME CEILING MOUNT 8" SHOWER HEAD WITH 4" ARM & ESCUTCHEON	116	274.00
P0898M	P0898 MATTE NICKEL	116	349.00
P0898N	P0898 POLISHED NICKEL	116	274.00
P0898S	P0898 SUPERCOATED BRASS	116	349.00
P0898Z	P0898 OIL RUBBED BRONZE	116	452.00
P0901C	CHROME THERMOSTATIC EXPOSED SHOWER SET, 7" CENTERS	106	2,033.00
P0901M	P0901 MATTE NICKEL	106	2,243.00
P0901N	P0901 POLISHED NICKEL	106	2,033.00
P0901S	P0901 SUPERCOATED BRASS	106	2,218.00
P0901Z	P0901 OIL RUBBED BRONZE	106	2,503.00

P Items - P Items

P0902C – P0920Z

ITEM #	DESCRIPTION	PG	PRICE
P0902C	P0901 CHROME THERMOSTATIC EXPOSED SHOWER SET W/HANDHELD SHOWER, 7" CENTERS	104	2,587.00
P0902M	P0902 MATTE NICKEL	104	2,867.00
P0902N	P0902 POLISHED NICKEL	104	2,587.00
P0902S	P0902 SUPERCOATED BRASS	104	2,826.00
P0902Z	P0902 OIL RUBBED BRONZE	104	3,207.00
P0903C	CHROME EXPOSED THERMOSTATIC SHOWER SET W/SPOUT, 7" CENTERS	106	2,300.00
P0903M	P0903 MATTE NICKEL	106	2,580.00
P0903N	P0903 POLISHED NICKEL	106	2,300.00
P0903S	P0903 SUPERCOATED BRASS	106	2,511.00
P0903Z	P0903 OIL RUBBED BRONZE	106	2,822.00
P0905C	WALL MOUNT FAUCET W/HANDHELD SHOWER, 7" CTRS, INC VACUUM BREAKER	68	1,328.00
P0905M	P0905 MATTE NICKEL	68	1,468.00
P0905N	P0905 POLISHED NICKEL	68	1,328.00
P0905S	P0905 SUPERCOATED BRASS	68	1,552.00
P0905Z	P0905 OIL RUBBED BRONZE	68	1,656.00
P0907C	CHROME SIDE/WALL MOUNT SHOWER ENCLOSURE SET. INCLUDES FAUCET, RISER, EXTENDED 57" X 31" ENCLOSURE & SHOWER HEAD	33	2,389.00
P0907M	P0907 MATTE NICKEL	33	2,094.00
P0907N	P0907 POLISHED NICKEL	33	2,094.00
P0907S	P0907 SUPERCOATED BRASS	33	2,272.00
P0907Z	P0907 OIL RUBBED BRONZE	33	2,486.00
P0908C	CHROME ANGLED INLETS, CAN BE USED ON ANY SOTC LEG TUB FAUCET W/REMOVABLE INLETS, 1 PAIR	138	117.00
P0908M	P0908 MATTE NICKEL	138	121.00
P0908N	P0908 POLISHED NICKEL	138	117.00
P0908S	P0908 SUPERCOATED BRASS	138	117.00
P0908Z	P0908 OIL RUBBED BRONZE	138	121.00
P0911C	CHROME HANDHELD BRACKET, FITS 3/4" DIA	85	155.00
P0911M	P0911 MATTE NICKEL	85	179.00
P0911N	P0911 POLISHED NICKEL	85	155.00
P0911S	P0911 SUPERCOATED BRASS	85	155.00
P0911Z	P0911 OIL RUBBED BRONZE	85	179.00
P0913C	CHROME VAULTED CEILING ADAPTER, FIT S 1" OD TUBING	126	96.00
P0913M	P0913 MATTE NICKEL	126	117.00
P0913N	P0913 POLISHED NICKEL	126	96.00
P0913S	P0913 SUPERCOATED BRASS	126	96.00
P0913Z	P0913 OIL RUBBED BRONZE	126	117.00
P0914C	CHROME DRAIN ELBOW, 1 3/8" DIA TUBE	80	55.00
P0914M	P0914 MATTE NICKEL	80	67.00
P0914N	P0914 POLISHED NICKEL	80	55.00
P0914S	P0914 SUPERCOATED BRASS	80	55.00
P0914Z	P0914 OIL RUBBED BRONZE	80	67.00
P0916C	CHROME WALL MOUNT, SINGLES PAIR W/6 SPOKE HANDLES. WALL TO SPOUT 11"	79	901.00
P0916M	P0916 MATTE NICKEL	79	963.00
P0916N	P0916 POLISHED NICKEL	79	901.00
P0916S	P0916 SUPERCOATED BRASS	79	901.00
P0918C	CHROME DECK MOUNT THERMOSTATIC SHOWER ENCLOSURE SET. INCLUDES FAUCET, RISER, 45" X 25" ENCLOSURE & SHOWER HEAD	29	2,865.00
P0918M	P0918 MATTE NICKEL	29	3,146.00
P0918N	P0918 POLISHED NICKEL	29	2,865.00
P0918S	P0918 SUPERCOATED BRASS	29	3,002.00
P0918Z	P0918 OIL RUBBED BRONZE	29	3,294.00
P0920C	CHROME THERMOSTATIC CONTROL VALVE WITH ROUND PLATE, 7 3/4" DIA AND 5 SPOKE HANDLE	114	1,056.00
P0920M	P0920 MATTE NICKEL	114	1,097.00
P0920N	P0920 POLISHED NICKEL	114	1,056.00
P0920S	P0920 SUPERCOATED BRASS	114	1,058.00
P0920Z	P0920 OIL RUBBED BRONZE	114	1,097.00

Suggested Retail Price List Catalog No. 1901

P Items - P Items		P0921C – P0942C	
ITEM #	DESCRIPTION	PG	PRICE
P0921C	CHROME THERMOSTATIC CONTROL VALVE WITH ROUND PLATE 7 3/4" DIA AND PORCELAIN LEVER HANDLE	114	1,022.00
P0921M	P0921 MATTE NICKEL	114	1,058.00
P0921N	P0921 POLISHED NICKEL	114	1,022.00
P0921S	P0921 SUPERCOATED BRASS	114	1,025.00
P0921Z	P0921 OIL RUBBED BRONZE	114	1,058.00
P0922C	CHROME THERMOSTATIC CONTROL VALVE WITH ROUND PLATE, 7 3/4" DIA AND 4 SPOKE HANDLE	114	1,031.00
P0922M	P0922 MATTE NICKEL	114	1,072.00
P0922N	P0922 POLISHED NICKEL	114	1,031.00
P0922S	P0922 SUPERCOATED BRASS	114	1,033.00
P0922Z	P0922 OIL RUBBED BRONZE	114	1,072.00
P0925C	CHROME THERMOSTATIC CONTROL VALVE W RECTANGULAR PLATE, 9" X 8", AND DECO 4 SPOKE HANDLE	114	1,053.00
P0925M	P0925 MATTE NICKEL	114	1,093.00
P0925N	P0925 POLISHED NICKEL	114	1,053.00
P0925S	P0925 SUPERCOATED BRASS	114	1,056.00
P0926C	CHROME VOLUME CONTROL VALVE FOR 1 DEVICE WITH TRADITIONAL ESCUTCHEON AND PORCELAIN LEVER HANDLE	115	258.00
P0926M	P0926 MATTE NICKEL	115	270.00
P0926N	P0926 POLISHED NICKEL	115	258.00
P0926S	P0926 SUPERCOATED BRASS	115	258.00
P0926Z	P0926 OIL RUBBED BRONZE	115	270.00
P0927C	CHROME VOLUME CONTROL VALVE FOR 1 DEVICE W/TRADITIONAL ESCUTCHEON AND 4 SPOKE CROSSPOINT HANDLE	115	272.00
P0927M	P0927 MATTE NICKEL	115	286.00
P0927N	P0927 POLISHED NICKEL	115	272.00
P0927S	P0927 SUPERCOATED BRASS	115	272.00
P0927Z	P0927 OIL RUBBED BRONZE	115	286.00
P0928C	CHROME VOLUME CONTROL VALVE FOR 1 DEVICE WITH RIO GRANDE ESC AND 5 SPOKE CROSSPOINT HANDLE	115	311.00
P0928M	P0928 MATTE NICKEL	115	327.00
P0928N	P0928 POLISHED NICKEL	115	311.00
P0928S	P0928 SUPERCOATED BRASS	115	311.00
P0928Z	P0928 OIL RUBBED BRONZE	115	327.00
P0929C	CHROME VOLUME CONTROL VALVE FOR 1 DEVICE WITH DECO ESCUTCHEON AND DECO CROSSPOINT HANDLE	115	292.00
P0929M	P0929 MATTE NICKEL	115	308.00
P0929N	P0929 POLISHED NICKEL	115	292.00
P0929S	P0929 SUPERCOATED BRASS	115	292.00
P0932	PORCELAIN BUTTON, FOR CROSSPOINT HANDLES, RAIN HEAD EMBLEM, 3/4" DIA	115	8.00
P0933	PORCELAIN BUTTON, FOR CROSSPOINT HANDLES, RAIN HEAD LETTERS, 3/4" DIA	115	8.00
P0934	PORCELAIN BUTTON, FOR CROSSPOINT HANDLES, SPOUT EMBLEM, 3/4" DIA	115	8.00
P0935	PORCELAIN BUTTON, FOR CROSSPOINT HANDLES, SPOUT LETTERS, 3/4" DIA	115	8.00
P0936	PORCELAIN BUTTON, FOR CROSSPOINT HANDLES, SHOWER HEAD EMBLEM, 3/4" DIA	115	8.00
P0937	PORCELAIN BUTTON, FOR CROSSPOINT HANDLES, SHOWER HEAD LETTERS, 3/4" DIA	115	8.00
P0938	PORCELAIN BUTTON, FOR CROSSPOINT HANDLES, HAND HELD SHOWER EMBLEM, 3/4" DIA	115	8.00
P0939	PORCELAIN BUTTON, FOR CROSSPOINT HANDLES, HAND HELD SHOWER LETTERS	115	8.00
P0940	PORCELAIN BUTTON, FOR CROSSPOINT HANDLES, BODY SPRAY EMBLEM, 3/4" DIA	115	8.00
P0941	PORCELAIN BUTTON, FOR CROSSPOINT HANDLES, BODY SPRAY LETTERS, 3/4" DIA	115	8.00
P0942C	CHROME BLANK BUTTON FOR CROSSPOINT HANDLES, EACH, 3/4" DIA	115	13.00

P Items - P Items		P0942M – P0949Z	
ITEM #	DESCRIPTION	PG	PRICE
P0942M	P0942 MATTE NICKEL	115	13.00
P0942N	P0942 POLISHED NICKEL	115	13.00
P0942S	P0942 SUPERCOATED BRASS	115	13.00
P0942Z	P0942 OIL RUBBED BRONZE	115	13.00
P0943C	THERMOSTATIC CONTROL VALVE EXTENSION KIT	115	94.00
P0943M	P0943 MATTE NICKEL	115	111.00
P0943N	P0943 POLISHED NICKEL	115	94.00
P0943S	P0943 SUPERCOATED BRASS	115	94.00
P0943Z	P0943 OIL RUBBED BRONZE	115	111.00
P0944C	WALL MOUNT FAUCET WITH HAND HELD SHOWER & PORCELAIN LEVER HANDLES, 7" CENTERS, INCLUDES VACUUM BREAKER	64	1,252.00
P0944M	P0944 MATTE NICKEL	64	1,364.00
P0944N	P0944 POLISHED NICKEL	64	1,252.00
P0944S	P0944 SUPERCOATED BRASS	64	1,476.00
P0944Z	P0944 OIL RUBBED BRONZE	64	1,523.00
P0945	P0945 THE SOLITUDE 70" ACRYLIC TUB, WITHOUT FAUCET HOLES. INCLUDES DRAIN, SPECIFY FINISH. INC NON-SLIP ADHESIVE STRIPS.		
P0945C	P0945 WITH CHROME DRAIN	9	4,480.00
P0945M	P0945 WITH MATTE NICKEL DRAIN	9	4,480.00
P0945N	P0945 WITH POLISHED NICKEL DRAIN	9	4,480.00
P0945S	P0945 WITH SUPERCOATED BRASS DRAIN	9	4,480.00
P0945Z	P0945 WITH OIL RUBBED BRONZE DRAIN	9	4,480.00
P0946C	CHROME EXPOSED THERMO TUB & SHOWER SET, 7" CTRS INCLUDES FAUCET, TUB FILLER, HANDHELD SHOWER, 36" RISER, 12" WALL BRACE & SHOWER HEAD	107	2,853.00
P0946M	P0946 MATTE NICKEL	107	3,273.00
P0946N	P0946 POLISHED NICKEL	107	2,853.00
P0946S	P0946 SUPERCOATED BRASS	107	3,119.00
P0946Z	P0946 OIL RUBBED BRONZE	107	3,527.00
P0948	P0948 THE ARCADIA 5 1/2' ACRYLIC DUAL TUB ON LEGS WITH 7" CENTER TO CENTER DECK MOUNT FAUCET HOLES. INCLUDES NON-SLIP ADHESIVE STRIPS.		
P0948C	P0948 WITH CHROME LEGS	16	4,760.00
P0948M	P0948 WITH MATTE NICKEL LEGS	16	4,760.00
P0948N	P0948 WITH POLISHED NICKEL LEGS	16	4,760.00
P0948S	P0948 WITH SUPERCOATED BRASS LEGS	16	4,760.00
P0948W	P0948 WITH WHITE LEGS	16	4,760.00
P0948Z	P0948 WITH OIL RUBBED BRONZE LEGS	16	4,760.00
P0949	P0949 THE ARCADIA 5 1/2' ACRYLIC DUAL TUB ON LEGS WITHOUT FAUCET HOLES. INCLUDES NON-SLIP ADHESIVE STRIPS.		
P0949C	P0949 WITH CHROME LEGS	16	4,760.00
P0949M	P0949 WITH MATTE NICKEL LEGS	16	4,760.00
P0949N	P0949 WITH POLISHED NICKEL LEGS	16	4,760.00
P0949S	P0949 WITH SUPERCOATED BRASS LEGS	16	4,760.00
P0949W	P0949 WITH WHITE LEGS	16	4,760.00
P0949Z	P0949 WITH OIL RUBBED BRONZE LEGS	16	4,760.00

Suggested Retail Price List Catalog No. 1901

P Items - P Items

P0951 – P0959M

ITEM #	DESCRIPTION	PG	PRICE
P0951	P0951 THE FOLSOM 5 1/2' ACRYLIC SLIPPER TUB ON LEGS WITH 7" CENTER TO CENTER DECK MOUNT FAUCET HOLES INCLUDES NON-SLIP ADHESIVE STRIPS.		
P0951C	P0951 WITH CHROME LEGS	12	4,900.00
P0951M	P0951 WITH MATTE NICKEL LEGS	12	4,900.00
P0951N	P0951 WITH POLISHED NICKEL LEGS	12	4,900.00
P0951S	P0951 WITH SUPERCOATED BRASS LEGS	12	4,900.00
P0951W	P0951 WITH WHITE LEGS	12	4,900.00
P0951Z	P0951 WITH OIL RUBBED BRONZE LEGS	12	4,900.00
P0952	P0952 THE FOLSOM 5 1/2' ACRYLIC SLIPPER TUB ON LEGS WITHOUT FAUCET HOLES. INCLUDES NON-SLIP ADHESIVE STRIPS.		
P0952C	P0952 WITH CHROME LEGS	12	4,900.00
P0952M	P0952 WITH MATTE NICKEL LEGS	12	4,900.00
P0952N	P0952 WITH POLISHED NICKEL LEGS	12	4,900.00
P0952S	P0952 WITH SUPERCOATED BRASS LEGS	12	4,900.00
P0952W	P0952 WITH WHITE LEGS	12	4,900.00
P0952Z	P0952 WITH OIL RUBBED BRONZE LEGS	12	4,900.00
P0953C	3 1/2" x 1/2" IPS CHROME NIPPLE PAIR TO FIT P0166HUC HOOK UP KIT	139	62.00
P0953S	P0953 SUPERCOAT BRASS	139	62.00
P0953Z	P0953 OIL RUBBED BRONZE	139	64.00
P0954C	CHROME ESCUTCHEON, 1" TALL, 1 1/2" DIA OPENING	80	48.00
P0954M	P0954 MATTE NICKEL	80	52.00
P0954N	P0954 POLISHED NICKEL	80	48.00
P0954S	P0954 SUPERCOATED BRASS	80	48.00
P0954Z	P0954 OIL RUBBED BRONZE	80	52.00
P0955	PLAIN PORCELAIN BUTTON, 3/4" DIA	115	8.00
P0955C	COLD PORCELAIN BUTTON, 3/4" DIA	115	8.00
P0955H	HOT PORCELAIN BUTTON, 3/4" DIA	115	8.00
P0956	P0956 THE HURON 5' ACRYLIC SLIPPER TUB ON LEGS WITH 7" CENTER TO CENTER RIM MOUNT FAUCET HOLES. INCLUDES OUR ROLL RIM ADAPTERS, SPECIFY FINISH INCLUDES NON-SLIP ADHESIVE STRIPS.		
P0956C	P0956 WITH CHROME LEGS	11	4,970.00
P0956M	P0956 WITH MATTE NICKEL LEGS	11	4,970.00
P0956N	P0956 WITH POLISHED NICKEL LEGS	11	4,970.00
P0956S	P0956 WITH SUPERCOATED BRASS LEGS	11	4,970.00
P0956W	P0956 WITH WHITE LEGS	11	4,970.00
P0956Z	P0956 WITH OIL RUBBED BRONZE LEGS	11	4,970.00
P0957	P0957 THE HURON 5' ACRYLIC SLIPPER TUB ON LEGS WITHOUT FAUCET HOLES INCLUDES NON-SLIP ADHESIVE STRIP.		
P0957C	P0957 WITH CHROME LEGS	11	4,830.00
P0957M	P0957 WITH MATTE NICKEL LEGS	11	4,830.00
P0957N	P0957 WITH POLISHED NICKEL LEGS	11	4,830.00
P0957S	P0957 WITH SUPERCOATED BRASS LEGS	11	4,830.00
P0957W	P0957 WITH WHITE LEGS	11	4,830.00
P0957Z	P0957 WITH OIL RUBBED BRONZE LEGS	11	4,830.00
P0959C	CHROME OVAL ENCLOSURE, 58" X 24" X 7/8" DIA TUBING. INCLUDES 12" AND 36" BRACES. CAN BE USED AS SIDE MOUNT OR END MOUNT AND INC CLAMPS TO FIT EITHER A 5/8" DIA OR 3/4" DIA RISER	84	928.00
P0959M	P0959 MATTE NICKEL	84	1,028.00

P Items - P Items

P0959N – P0967S

ITEM #	DESCRIPTION	PG	PRICE
P0959N	P0959 POLISHED NICKEL	84	928.00
P0959S	P0959 SUPERCOATED BRASS	84	928.00
P0959Z	P0959 OIL RUBBED BRONZE	84	1,051.00
P0959EXTC	CHROME OVAL ENCLOSURE, 72" X 32" X 7/8" DIA TUBING. INCLUDES 12" AND 36" BRACES. CAN BE USED AS SIDE MOUNT OR END MOUNT AND INC CLAMPS TO FIT EITHER A 5/8" DIA OR 3/4" DIA RISER	84	1,128.00
P0959EXTM	P0959EXT MATTE NICKEL	84	1,240.00
P0959EXTN	P0959EXT POLISHED NICKEL	84	1,128.00
P0959EXTS	P0959EXT SUPERCOATED BRASS	84	1,128.00
P0959EXTZ	P0959EXT OIL RUBBED BRONZE	84	1,296.00
P0959-36C	CHROME 36" BRACE W/ESC & 7/8" C-CLAMP	84	130.00
P0959-36M	P0959-36 MATTE NICKEL	84	152.00
P0959-36N	P0959-36 POLISHED NICKEL	84	130.00
P0959-36S	P0959-36 SUPERCOATED BRASS	84	130.00
P0959-36Z	P0959-36 OIL RUBBED BRONZE	84	152.00
P0960C	CHROME ENCLOSURE TEE WITH CLAMP THAT FITS 3/4" OD TUBING	84	112.00
P0960M	P0960 MATTE NICKEL	84	124.00
P0960N	P0960 POLISHED NICKEL	84	112.00
P0960S	P0960 SUPERCOATED BRASS	84	112.00
P0960Z	P0960 OIL RUBBED BRONZE	84	124.00
P0963C	CHROME EXPOSED THERMO TUB & SHOWER SET, 7" CTRS INCLUDES FAUCET, TUB FILLER, HANDHELD SHOWER, 54" RISER, 12" WALL BRACE & SHOWER HEAD	107	2,989.00
P0963M	P0963 MATTE NICKEL	107	3,409.00
P0963N	P0963 POLISHED NICKEL	107	2,989.00
P0963S	P0963 SUPERCOATED BRASS	107	3,254.00
P0963Z	P0963 OIL RUBBED BRONZE	107	3,671.00
P0964	P0964 THE TUXEDO 5' BLACK & WHITE ACRYLIC SLIPPER TUB ON LEGS WITH 7" CENTER RIM MOUNT FAUCET HOLES INC OUR ROLL RIM ADAPTERS, SPECIFY FINISH. INCLUDES NON-SLIP ADHESIVE STRIPS.		
P0964C	P0964 WITH CHROME LEGS	11	5,110.00
P0964M	P0964 WITH MATTE NICKEL LEGS	11	5,110.00
P0964N	P0964 WITH POLISHED NICKEL LEGS	11	5,110.00
P0964S	P0964 WITH SUPERCOATED BRASS LEGS	11	5,110.00
P0964W	P0964 WITH WHITE LEGS	11	5,110.00
P0964Z	P0964 WITH OIL RUBBED BRONZE LEGS	11	5,110.00
P0965	P0965 THE TUXEDO 5' BLACK & WHITE ACRYLIC SLIPPER TUB ON LEGS WITHOUT FAUCET HOLES. INC NON-SLIP ADHESIVE STRIPS.		
P0965C	P0965 WITH CHROME LEGS	11	4,970.00
P0965M	P0965 WITH MATTE NICKEL LEGS	11	4,970.00
P0965N	P0965 WITH POLISHED NICKEL LEGS	11	4,970.00
P0965S	P0965 WITH SUPERCOATED BRASS LEGS	11	4,970.00
P0965W	P0965 WITH WHITE LEGS	11	4,970.00
P0965Z	P0965 WITH OIL RUBBED BRONZE LEGS	11	4,970.00
P0966C	CHROME THERMOSTATIC CONTROL VALVE WITH RECTANGULAR 9" x 8" PLATE, AND LEVER HANDLE	114	1,086.00
P0966M	P0966 MATTE NICKEL	114	1,128.00
P0966N	P0966 POLISHED NICKEL	114	1,086.00
P0966S	P0966 SUPERCOATED BRASS	114	1,089.00
P0966Z	P0966 OIL RUBBED BRONZE	114	1,128.00
P0967C	CHROME VOLUME CONTROL VALVE FOR 1 DEVICE W ESCUTCHEON & LEVER HANDLE	115	279.00
P0967M	P0967 MATTE NICKEL	115	286.00
P0967N	P0967 POLISHED NICKEL	115	279.00
P0967S	P0967 SUPERCOATED BRASS	115	278.00

Suggested Retail Price List Catalog No. 1901

P Items - P Items

P0967Z – P0974-28Z

ITEM #	DESCRIPTION	PG	PRICE
P0967Z	P0967 OIL RUBBED BRONZE	115	286.00
P0968C	CHROME BRACKET FOR HAND HELD SHOWER FITS 5/8" OD RISER	117	95.00
P0968M	P0968 MATTE NICKEL	117	106.00
P0968N	P0968 POLISHED NICKEL	117	95.00
P0968S	P0968 SUPERCOATED BRASS	117	95.00
P0968Z	P0968 OIL RUBBED BRONZE	117	112.00
P0969C	CHROME THERMOSTATIC DECK MOUNT FAUCET, 7" CENTERS, STRAIGHT SPOUT, W/HANDHELD SHOWER	58	2,191.00
P0969M	P0969 MATTE NICKEL	58	2,331.00
P0969N	P0969 POLISHED NICKEL	58	2,191.00
P0969S	P0969 SUPERCOATED BRASS	58	2,349.00
P0969Z	P0969 OIL RUBBED BRONZE	58	2,596.00
P0970C	CHROME THERMOSTATIC WALL MOUNT FAUCET, 7" CENTERS, STRAIGHT SPOUT, W/HANDHELD SHOWER	67	2,136.00
P0970M	P0970 MATTE NICKEL	67	2,276.00
P0970N	P0970 POLISHED NICKEL	67	2,136.00
P0970S	P0970 SUPERCOATED BRASS	67	2,294.00
P0970Z	P0970 OIL RUBBED BRONZE	67	2,534.00
P0972C	CHROME FAUCET & OVER THE RIM SUPPLY SET KIT. INCLUDES 3 3/8" CTR GOOSENECK FAUCET W/HANDHELD SHOWER & OUR P0641 24" HIGH SUPPLIES	71	2,136.00
P0972M	P0972 MATTE NICKEL	71	2,338.00
P0972N	P0972 POLISHED NICKEL	71	2,136.00
P0972S	P0972 SUPERCOATED BRASS	71	2,344.00
P0972Z	P0972 OIL RUBBED BRONZE	71	2,420.00
P0972-28C	CHROME FAUCET & OVER THE RIM SUPPLY SET KIT. INCLUDES 3 3/8" CENTER GOOSENECK FAUCET W/HANDHELD SHOWER AND OUR P0641 28" HIGH SUPPLIES	71	2,189.00
P0972-28M	P0972-28 MATTE NICKEL	71	2,428.00
P0972-28N	P0972-28 POLISHED NICKEL	71	2,189.00
P0972-28S	P0972-28 SUPERCOATED BRASS	71	2,397.00
P0972-28Z	P0972-28 OIL RUBBED BRONZE	71	2,480.00
P0973C	CHROME FAUCET & OVER THE RIM SUPPLY SET KIT. INCLUDES BRITISH TELEPHONE 7" CTR FAUCET W/HANDHELD SHOWER & OUR P0398 24" HIGH SUPPLIES	71	2,141.00
P0973M	P0973 MATTE NICKEL	71	2,428.00
P0973N	P0973 POLISHED NICKEL	71	2,141.00
P0973S	P0973 SUPERCOATED BRASS	71	2,337.00
P0973Z	P0973 OIL RUBBED BRONZE	71	2,508.00
P0973-28C	CHROME FAUCET & OVER THE RIM SUPPLY SET KIT. INCLUDES BRITISH TELEPHONE 7" CENTER FAUCET W/HANDHELD SHOWER AND OUR P0398 28" HIGH SUPPLIES	71	2,194.00
P0973-28M	P0973-28 MATTE NICKEL	71	2,568.00
P0973-28N	P0973-28 POLISHED NICKEL	71	2,194.00
P0973-28S	P0973-28 SUPERCOATED BRASS	71	2,391.00
P0973-28Z	P0973-28 OIL RUBBED BRONZE	71	2,568.00
P0974C	CHROME FAUCET & OVER THE RIM SUPPLY SET KIT. INCLUDES THERMOSTATIC 7" CENTER FAUCET W/HANDHELD SHOWER AND OUR P0398 24" HIGH SUPPLIES	74	2,851.00
P0974M	P0974 MATTE NICKEL	74	3,144.00
P0974N	P0974 POLISHED NICKEL	74	2,851.00
P0974S	P0974 SUPERCOATED BRASS	74	3,035.00
P0974Z	P0974 OIL RUBBED BRONZE	74	3,348.00
P0974-28C	CHROME FAUCET & OVER THE RIM SUPPLY SET KIT. INCLUDES THERMOSTATIC 7" CENTER FAUCET W/HANDHELD SHOWER AND OUR P0398 28" HIGH SUPPLIES	74	2,904.00
P0974-28M	P0974-28 MATTE NICKEL	74	3,206.00
P0974-28N	P0974-28 POLISHED NICKEL	74	2,904.00
P0974-28S	P0974-28 SUPERCOATED BRASS	74	3,088.00
P0974-28Z	P0974-28 OIL RUBBED BRONZE	74	3,408.00

P Items - P Items

P0975C – P0993Z

ITEM #	DESCRIPTION	PG	PRICE
P0975C	CHROME FAUCET & OVER THE RIM SUPPLY SET KIT. INCLUDES BRITISH TELEPHONE 7" CENTER FAUCET W/HANDHELD SHOWER AND OUR P0398 24" HIGH SUPPLIES	71	2,087.00
P0975M	P0975 MATTE NICKEL	71	2,475.00
P0975N	P0975 POLISHED NICKEL	71	2,087.00
P0975S	P0975 SUPERCOATED BRASS	71	2,312.00
P0975Z	P0975 OIL RUBBED BRONZE	71	2,475.00
P0975-28C	CHROME FAUCET & OVER THE RIM SUPPLY SET KIT. INCLUDES BRITISH TELEPHONE 7" CTR FAUCET W/HANDHELD SHOWER & OUR P0398 28" HIGH SUPPLIES	71	2,141.00
P0975-28M	P0975-28 MATTE NICKEL	71	2,535.00
P0975-28N	P0975-28 POLISHED NICKEL	71	2,141.00
P0975-28S	P0975-28 SUPERCOATED BRASS	71	2,365.00
P0975-28Z	P0975-28 OIL RUBBED BRONZE	71	2,535.00
P0980C	CHROME DECO LEVER HANDLE PAIR	134	90.00
P0980M	P0980 MATTE NICKEL	134	97.00
P0980N	P0980 POLISHED NICKEL	134	90.00
P0980S	P0980 SUPERCOATED BRASS	134	90.00
P0980Z	P0980 OIL RUBBED BRONZE	134	97.00
P0980DC	CHROME DECO DIVERter LEVER HANDLE	134	46.00
P0980DM	P0980D MATTE NICKEL	134	49.00
P0980DN	P0980D POLISHED NICKEL	134	46.00
P0980DS	P0980D SUPERCOAT BRASS	134	46.00
P0980DZ	P0980D OIL RUBBED BRONZE	134	49.00
P0981C	CHROME MISSISSIPPI WIDESPREAD LAV SET INCLUDES SPOUT (5 1/2" LONG, 3 1/2" HIGH), VALVES, LEVER HANDLES, ESC & POP-UP DRAIN	93	960.00
P0981M	P0981 MATTE NICKEL	93	1,022.00
P0981N	P0981 POLISHED NICKEL	93	960.00
P0981S	P0981 SUPERCOATED BRASS	93	960.00
P0981Z	P0981 OIL RUBBED BRONZE	93	1,022.00
P0982C	CHROME MISSISSIPPI TUB & SHOWER SET WITH LEVER HANDLES, 9" CENTERS	93	1,254.00
P0982M	P0982 MATTE NICKEL	93	1,361.00
P0982N	P0982 POLISHED NICKEL	93	1,254.00
P0982S	P0982 SUPERCOATED BRASS	93	1,438.00
P0983C	CHROME MISSISSIPPI TUB ONLY SET WITH LEVER HANDLES, 8" CENTERS	93	756.00
P0983M	P0983 MATTE NICKEL	93	790.00
P0983N	P0983 POLISHED NICKEL	93	756.00
P0983S	P0983 SUPERCOATED BRASS	93	756.00
P0984C	CHROME MISSISSIPPI SHOWER SET WITH LEVER HANDLES, 8" CENTERS	93	863.00
P0984M	P0984 MATTE NICKEL	93	951.00
P0984N	P0984 POLISHED NICKEL	93	863.00
P0984S	P0984 SUPERCOATED BRASS	93	863.00
P0993	P0993 THE SUMMIT 6' ACRYLIC DOUBLE ENDED SLIPPER TUB ON LEGS WITH 7" CENTER DECK MOUNTED FAUCET HOLES INCLUDES NON-SLIP ADHESIVE STRIPS.		
P0993C	P0993 WITH CHROME LEGS	14	5,460.00
P0993M	P0993 WITH MATTE NICKEL LEGS	14	5,460.00
P0993N	P0993 WITH POLISHED NICKEL LEGS	14	5,460.00
P0993S	P0993 WITH SUPERCOATED BRASS LEGS	14	5,460.00
P0993W	P0993 WITH WHITE LEGS	14	5,460.00
P0993Z	P0993 WITH OIL RUBBED BRONZE LEGS	14	5,460.00

Suggested Retail Price List Catalog No. 1901

P Items - P Items

P0994 – P1001M

ITEM #	DESCRIPTION	PG	PRICE
P0994	P0994 THE SUMMIT 6' ACRYLIC DOUBLE ENDED SLIPPER TUB ON LEGS WITHOUT FAUCET HOLES. INCLUDES NON-SLIP ADHESIVE STRIPS.		
P0994C	P0994 WITH CHROME LEGS	14	5,460.00
P0994M	P0994 WITH MATTE NICKEL LEGS	14	5,460.00
P0994N	P0994 WITH POLISHED NICKEL LEGS	14	5,460.00
P0994S	P0994 WITH SUPERCOATED BRASS LEGS	14	5,460.00
P0994W	P0994 WITH WHITE LEGS	14	5,460.00
P0994Z	P0994 WITH OIL RUBBED BRONZE LEGS	14	5,460.00
P0995	P0995 THE ALPINE 6' ACRYLIC PEG LEG DOUBLE ENDED SLIPPER TUB WITH 7" CENTER DECK MOUNT FAUCET HOLES INCLUDES NON-SLIP ADHESIVE STRIPS.		
P0995C	P0995 WITH CHROME LEGS	14	5,180.00
P0995M	P0995 WITH MATTE NICKEL LEGS	14	5,180.00
P0995N	P0995 WITH POLISHED NICKEL LEGS	14	5,180.00
P0995S	P0995 WITH SUPERCOATED BRASS LEGS	14	5,180.00
P0995W	P0995 WITH WHITE LEGS	14	5,180.00
P0995Z	P0995 WITH OIL RUBBED BRONZE LEGS	14	5,180.00
P0996	P0996 THE ALPINE 6' ACRYLIC PEG LEG DOUBLE ENDED SLIPPER TUB WITHOUT FAUCET HOLES. INCLUDES NON-SLIP ADHESIVE STRIPS.		
P0996C	P0996 WITH CHROME LEGS	14	5,180.00
P0996M	P0996 WITH MATTE NICKEL LEGS	14	5,180.00
P0996N	P0996 WITH POLISHED NICKEL LEGS	14	5,180.00
P0996S	P0996 WITH SUPERCOATED BRASS LEGS	14	5,180.00
P0996W	P0996 WITH WHITE LEGS	14	5,180.00
P0996Z	P0996 WITH OIL RUBBED BRONZE LEGS	14	5,180.00
P0997	P0997 THE ECHO 6' ACRYLIC DOUBLE ENDED SLIPPER TUB ON PEDESTAL WITH 7" CENTER DECK MOUNT FAUCET HOLES. INCLUDES NON-SLIP ADHESIVE STRIPS.	13	4,340.00
P0998	P0998 THE ECHO 6' ACRYLIC DOUBLE ENDED SLIPPER TUB ON PEDESTAL WITHOUT FAUCET HOLES. INCLUDES NON-SLIP ADHESIVE STRIPS.	13	4,340.00
P0999C	CHROME WING LEVER HANDLE PAIR	131	101.00
P0999M	P0999 MATTE NICKEL	131	109.00
P0999N	P0999 POLISHED NICKEL	131	101.00
P1000C	CHROME FAUCET & OVER THE RIM SUPPLY SET KIT. INCLUDES DECO BRITISH TELEPHONE 7" CENTER FAUCET W/X-POINT HANDLES, HANDHELD SHOWER AND OUR P0398 24" HIGH SUPPLIES	72	2,133.00
P1000M	P1000 MATTE NICKEL	72	2,374.00
P1000N	P1000 POLISHED NICKEL	72	2,133.00
P1000S	P1000 SUPERCOATED BRASS	72	2,357.00
P1000Z	P1000 OIL RUBBED BRONZE	72	2,484.00
P1000-28C	CHROME FAUCET & OVER THE RIM SUPPLY SET KIT. INCLUDES DECO BRITISH TELEPHONE 7" CENTER FAUCET W/X-POINT HANDLES, HANDHELD SHOWER AND OUR P0398 28" HIGH SUPPLIES	72	2,185.00
P1000-28M	P1000-28 MATTE NICKEL	72	2,435.00
P1000-28N	P1000-28 POLISHED NICKEL	72	2,185.00
P1000-28S	P1000-28 SUPERCOATED BRASS	72	2,410.00
P1000-28Z	P1000-28 OIL RUBBED BRONZE	72	2,544.00
P1001C	CHROME DECO WALL MT TELEPHONE FAUCET W/LEVER HANDLES, HANDHELD SHOWER, 7" CTRS. INC VACUUM BREAKER	62	1,331.00
P1001M	P1001 MATTE NICKEL	62	1,471.00

P Items – P Items

P1001N – P1007-10Z

ITEM #	DESCRIPTION	PG	PRICE
P1001N	P1001 POLISHED NICKEL	62	1,331.00
P1001S	P1001 SUPERCOATED BRASS	62	1,528.00
P1001Z	P1001 OIL RUBBED BRONZE	62	1,608.00
P1002C	CHROME DECO DECK MT TELEPHONE FAUCET W/DECO X-POINT HANDLES, PORCELAIN HANDHELD SHOWER, 7" CTRS & 1/2" IPS HOOKUPS. INCLUDES VACUUM BREAKER	52	1,362.00
P1002M	P1002 MATTE NICKEL	52	1,502.00
P1002N	P1002 POLISHED NICKEL	52	1,362.00
P1002S	P1002 SUPERCOATED BRASS	52	1,586.00
P1002Z	P1002 OIL RUBBED BRONZE	52	1,649.00
P1003C	CHROME DECO TELEPHONE LEG TUB FAUCET W/PORCELAIN HAND HELD SHOWER, X-POINT HANDLES W/PORCELAIN BUTTONS. INCLUDES ADJUSTABLE SWING ARM COUPLERS, TUB CENTERS ARE 3 3/8" TO 12", BATHROOM WALL MOUNT CENTERS ARE MINIMUM 4 1/2" TO 12", INCLUDES VACUUM BREAKER	45	1,234.00
P1003M	P1003 MATTE NICKEL	45	1,372.00
P1003N	P1003 POLISHED NICKEL	45	1,234.00
P1003S	P1003 SUPERCOATED BRASS	45	1,459.00
P1003Z	P1003 OIL RUBBED BRONZE	45	1,516.00
P1004C	CHROME 3 BALL LEG TUB FAUCET W/FIXED ARCHED SPOUT, 3 3/8" CENTERS	46	699.00
P1004M	P1004 MATTE NICKEL	46	748.00
P1004N	P1004 POLISHED NICKEL	46	699.00
P1004S	P1004 SUPERCOATED BRASS	46	763.00
P1004Z	P1004 OIL RUBBED BRONZE	46	781.00
P1005-8C	CHROME 8" RIO GRANDE BRIDGE FAUCET W/FIXED ARCHED SPOUT, X-POINT HANDLES & LIFT & TURN DRAIN	100	1,031.00
P1005-8M	P1005-8 MATTE NICKEL	100	1,074.00
P1005-8N	P1005-8 POLISHED NICKEL	100	1,031.00
P1005-8S	P1005-8 SUPERCOATED BRASS	100	1,039.00
P1005-8Z	P1005-8 OIL RUBBED BRONZE	100	1,074.00
P1005-12C	CHROME 12" RIO GRANDE BRIDGE FAUCET W/FIXED ARCHED SPOUT, X-POINT HANDLES & LIFT & TURN DRAIN	100	1,119.00
P1005-12M	P1005-12 MATTE NICKEL	100	1,161.00
P1005-12N	P1005-12 POLISHED NICKEL	100	1,119.00
P1005-12S	P1005-12 SUPERCOATED BRASS	100	1,128.00
P1005-12Z	P1005-12 OIL RUBBED BRONZE	100	1,161.00
P1006C	CHROME GOOSENECK ADJUSTABLE BRIDGE FAUCET W/CHROME & PORCELAIN LEVER HANDLES. INCLUDES LIFT & TURN DRAIN. CENTERS VARIABLE FROM 4" TO 6"	98	819.00
P1006M	P1006 MATTE NICKEL	98	890.00
P1006N	P1006 POLISHED NICKEL	98	819.00
P1006S	P1006 SUPERCOATED BRASS	98	828.00
P1006Z	P1006 OIL RUBBED BRONZE	98	890.00
P1007C	CHROME GOOSENECK ADJUSTABLE BRIDGE FAUCET W/X-POINT HANDLES. INCLUDES LIFT & TURN DRAIN. CENTERS VARIABLE FROM 6" TO 8"	99	886.00
P1007M	P1007 MATTE NICKEL	99	965.00
P1007N	P1007 POLISHED NICKEL	99	886.00
P1007S	P1007 SUPERCOATED BRASS	99	894.00
P1007Z	P1007 OIL RUBBED BRONZE	99	965.00
P1007-10C	CHROME GOOSENECK ADJUSTABLE BRIDGE FAUCET W/X-POINT HANDLES INCLUDES LIFT & TURN DRAIN. CENTERS VARIABLE FROM 8" TO 10"	99	968.00
P1007-10M	P1007-10 MATTE NICKEL	99	1,054.00
P1007-10N	P1007-10 POLISHED NICKEL	99	968.00
P1007-10S	P1007-10 SUPERCOATED BRASS	99	976.00
P1007-10Z	P1007-10 OIL RUBBED BRONZE	99	1,054.00

Suggested Retail Price List Catalog No. 1901

P Items - P Items		P1008C - P1016Z	
ITEM #	DESCRIPTION	PG	PRICE
P1008C	CHROME WIDESPREAD LAV SET, INCLUDES 12" TALL GOOSENECK SPOUT, VALVES, LEVER HANDLES, ESCUTCHEONS & LIFT & TURN DRAIN	90	909.00
P1008M	P1008 MATTE NICKEL	90	972.00
P1008N	P1008 POLISHED NICKEL	90	909.00
P1008S	P1008 SUPERCOATED BRASS	90	915.00
P1008Z	P1008 OIL RUBBED BRONZE	90	972.00
P1009C	CHROME DECO STYLE, ALL METAL DECK MOUNT FAUCET, 7" CTRS, 8" SPOUT EXTENSION, 6"H DECK MT COUPLERS INCLUDES VACUUM BREAKER	52	1,343.00
P1009M	P1009 MATTE NICKEL	52	1,483.00
P1009N	P1009 POLISHED NICKEL	52	1,343.00
P1009S	P1009 SUPERCOATED BRASS	52	1,540.00
P1009Z	P1009 OIL RUBBED BRONZE	52	1,623.00
P1010C	CHROME WALL MT KITCHEN FAUCET 6" SWIVEL SPOUT & WING LEVER HANDLES, 8" CENTERS	131	934.00
P1010M	P1010 MATTE NICKEL	131	997.00
P1010N	P1010 POLISHED NICKEL	131	934.00
P1011C	CHROME DECK MT KITCHEN FAUCET, 8" CENTERS. 9 1/2" ARCHED SWIVEL SPOUT & PORCELAIN & CHROME LEVER HANDLES	130	953.00
P1011M	P1011 MATTE NICKEL	130	1,016.00
P1011N	P1011 POLISHED NICKEL	130	953.00
P1012C	1 1/2" x 24" WASTE/OVERFLOW TUBE, THREADED ON ONE END. FITS OUR P0007E SERIES	80	111.00
P1012M	P1012 MATTE NICKEL	80	120.00
P1012N	P1012 POLISHED NICKEL	80	111.00
P1012S	P1012 SUPERCOATED BRASS	80	111.00
P1012Z	P1012 OIL RUBBED BRONZE	80	120.00
P1013C	CHROME DECK MOUNT FAUCET, 7" CTRS, 7" SPOUT EXTENSION, 6"H DECK MT COUPLERS, METAL HANDHELD & HANDLES. INCLUDES VACUUM BREAKER	53	1,324.00
P1013M	P1013 MATTE NICKEL	53	1,471.00
P1013N	P1013 POLISHED NICKEL	53	1,324.00
P1013S	P1013 SUPERCOATED BRASS	53	1,520.00
P1013Z	P1013 OIL RUBBED BRONZE	53	1,604.00
P1014C	CHROME BRITISH TELEPHONE LEG TUB FAUCET W/METAL HAND HELD SHOWER & METAL LEVER HANDLES, INCLUDES ADJUSTABLE SWING ARM COUPLERS, TUB CENTERS ARE 3 3/8" TO 12", BATHROOM WALL MOUNT CENTERS ARE MINIMUM 4 1/2" TO 12", INCLUDES VACUUM BREAKER	45	1,265.00
P1014M	P1014 MATTE NICKEL	45	1,427.00
P1014N	P1014 POLISHED NICKEL	45	1,265.00
P1014S	P1014 SUPERCOATED BRASS	45	1,461.00
P1014Z	P1014 OIL RUBBED BRONZE	45	1,548.00
P1015C	CHROME 7" CTR DECK MOUNT THERMOSTATIC FAUCET W/FIXED ARCHED SPOUT AND PORCELAIN HAND HELD SHOWER	59	2,192.00
P1015M	P1015 MATTE NICKEL	59	2,614.00
P1015N	P1015 POLISHED NICKEL	59	2,192.00
P1015S	P1015 SUPERCOATED BRASS	59	2,357.00
P1015Z	P1015 OIL RUBBED BRONZE	59	2,614.00
P1016C	CHROME 7" CTR WALL MOUNT THERMOSTATIC FAUCET W/FIXED ARCHED SPOUT AND PORCELAIN HAND HELD SHOWER	62	2,137.00
P1016M	P1016 MATTE NICKEL	62	2,553.00
P1016N	P1016 POLISHED NICKEL	62	2,137.00
P1016S	P1016 SUPERCOATED BRASS	62	2,302.00
P1016Z	P1016 OIL RUBBED BRONZE	62	2,553.00

P Items - P Items		P1017C - P1021Z	
ITEM #	DESCRIPTION	PG	PRICE
P1017C	CHROME THERMOSTATIC TUB WALL MT FAUCET W/FIXED ARCH SPOUT & PORCELAIN HAND HELD SHOWER. INCLUDES ADJUSTABLE SWING ARM COUPLERS, TUB CENTERS ARE 3 3/8" TO 12", BATHROOM WALL MOUNT CENTERS ARE MINIMUM 4 1/2" TO 12"	42	2,134.00
P1017M	P1017 MATTE NICKEL	42	2,561.00
P1017N	P1017 POLISHED NICKEL	42	2,134.00
P1017S	P1017 SUPERCOATED BRASS	42	2,300.00
P1017Z	P1017 OIL RUBBED BRONZE	42	2,561.00
P1018C	CHROME THERMOSTATIC TUB WALL MT FAUCET W/FIXED ARCH SPOUT. INCLUDES ADJUSTABLE SWING ARM COUPLERS, TUB CENTERS ARE 3 3/8" TO 12", BATHROOM WALL MOUNT CENTERS ARE MINIMUM 4 1/2" TO 12"	43	1,662.00
P1018M	P1018 MATTE NICKEL	43	1,933.00
P1018N	P1018 POLISHED NICKEL	43	1,662.00
P1018S	P1018 SUPERCOATED BRASS	43	1,772.00
P1018Z	P1018 OIL RUBBED BRONZE	43	1,933.00
P1019C	CHROME OVER THE RIM MOUNT THERMOSTATIC SHOWER ENCLOSURE SET. INCLUDES 7" CTR THERMOSTATIC FAUCET, RISER, 57" X 31" ENCLOSURE, SHOWER HEAD & OUR P0641 24" TALL OVER THE RIM SUPPLIES	34	4,371.00
P1019M	P1019 MATTE NICKEL	34	4,371.00
P1019N	P1019 POLISHED NICKEL	34	3,925.00
P1019S	P1019 SUPERCOATED BRASS	34	4,005.00
P1019Z	P1019 OIL RUBBED BRONZE	34	4,480.00
P1019-28C	CHROME OVER THE RIM MOUNT THERMOSTATIC SHOWER ENCLOSURE SET. INCLUDES 7" CTR THERMOSTATIC FAUCET, RISER, 57" X 31" ENCLOSURE, SHOWER HEAD & OUR P0641 28" TALL OVER THE RIM SUPPLIES	34	3,978.00
P1019-28M	P1019-28 MATTE NICKEL	34	4,432.00
P1019-28N	P1019-28 POLISHED NICKEL	34	3,978.00
P1019-28S	P1019-28 SUPERCOATED BRASS	34	4,058.00
P1019-28Z	P1019-28 OIL RUBBED BRONZE	34	4,540.00
P1020C	CHROME OVER THE RIM MOUNT SHOWER ENCLOSURE SET. INCLUDES 3 3/8" CTR GOOSENECK DIVERTER FAUCET, RISER, 57" X 31" ENCLOSURE, PORCELAIN HANDHELD CONVERSION KIT, SHOWER HEAD & OUR P0641 24" TALL OVER THE RIM SUPPLIES	35	3,448.00
P1020M	P1020 MATTE NICKEL	35	3,896.00
P1020N	P1020 POLISHED NICKEL	35	3,448.00
P1020S	P1020 SUPERCOATED BRASS	35	3,637.00
P1020Z	P1020 OIL RUBBED BRONZE	35	3,991.00
P1020-28C	CHROME OVER THE RIM MOUNT SHOWER ENCLOSURE SET. INCLUDES 3 3/8" CTR GOOSENECK DIVERTER FAUCET, RISER, 57" X 31" ENCLOSURE, PORCELAIN HANDHELD CONVERSION KIT, SHOWER HEAD & OUR P0641 28" TALL OVER THE RIM SUPPLIES	35	3,500.00
P1020-28M	P1020-28 MATTE NICKEL	35	3,958.00
P1020-28N	P1020-28 POLISHED NICKEL	35	3,500.00
P1020-28S	P1020-28 SUPERCOATED BRASS	35	3,690.00
P1020-28Z	P1020-28 OIL RUBBED BRONZE	35	4,052.00
P1021C	CHROME WALL MOUNT SHOWER ENCLOSURE SET INCLUDES 3 3/8" CTR WALL MT FAUCET, RISER, 45" x 25" ENCLOSURE & SHOWER HEAD	32	1,844.00
P1021M	P1021 MATTE NICKEL	32	2,073.00
P1021N	P1021 POLISHED NICKEL	32	1,844.00
P1021S	P1021 SUPERCOATED BRASS	32	2,005.00
P1021Z	P1021 OIL RUBBED BRONZE	32	2,060.00

Suggested Retail Price List Catalog No. 1901

P Items - P Items		P1022C – P1026C	
ITEM #	DESCRIPTION	PG	PRICE
P1022C	CHROME THERMOSTATIC EXPOSED SHOWER SET, 7" CENTERS	108	1,913.00
P1022M	P1022 MATTE NICKEL	108	2,123.00
P1022N	P1022 POLISHED NICKEL	108	1,913.00
P1022S	P1022 SUPERCOATED BRASS	108	2,023.00
P1022Z	P1022 OIL RUBBED BRONZE	108	2,238.00
P1023C	CHROME FAUCET & OVER THE RIM SUPPLY SET KIT. INC THERMOSTATIC 7" CENTER FAUCET W/HANDHELD SHOWER & OUR P0398 24" HIGH SUPPLIES	71	3,000.00
P1023M	P1023 MATTE NICKEL	71	3,294.00
P1023N	P1023 POLISHED NICKEL	71	3,000.00
P1023S	P1023 SUPERCOATED BRASS	71	3,158.00
P1023Z	P1023 OIL RUBBED BRONZE	71	3,482.00
P1023-28C	CHROME FAUCET & OVER THE RIM SUPPLY SET KIT. INC THERMOSTATIC 7" CENTER FAUCET W/HANDHELD SHOWER AND OUR P0398 28" HIGH SUPPLIES	71	3,053.00
P1023-28M	P1023-28 MATTE NICKEL	71	3,355.00
P1023-28N	P1023-28 POLISHED NICKEL	71	3,053.00
P1023-28S	P1023-28 SUPERCOATED BRASS	71	3,212.00
P1023-28Z	P1023-28 OIL RUBBED BRONZE	71	3,542.00
P1024C	CHROME FAUCET & OVER THE RIM SUPPLY SET KIT. INCLUDES 7" CENTER FAUCET W/HANDHELD SHOWER AND OUR P0398 24" HIGH SUPPLIES	72	2,445.00
P1024M	P1024 MATTE NICKEL	72	2,753.00
P1024N	P1024 POLISHED NICKEL	72	2,445.00
P1024S	P1024 SUPERCOATED BRASS	72	2,669.00
P1024Z	P1024 OIL RUBBED BRONZE	72	2,854.00
P1024-28C	CHROME FAUCET & OVER THE RIM SUPPLY SET KIT. INCLUDES 7" CENTER FAUCET W/HANDHELD SHOWER AND OUR P0398 28" HIGH SUPPLIES	72	2,498.00
P1024-28M	P1024-28 MATTE NICKEL	72	2,815.00
P1024-28N	P1024-28 POLISHED NICKEL	72	2,498.00
P1024-28S	P1024-28 SUPERCOATED BRASS	72	2,722.00
P1024-28Z	P1024-28 OIL RUBBED BRONZE	72	2,914.00
P1025C	CHROME FAUCET & OVER THE RIM SUPPLY SET KIT. INCLUDES BRITISH TELEPHONE 7" CENTER FAUCET W/LEVER HANDLES, METAL HANDHELD SHOWER AND OUR P0398 24" HIGH SUPPLIES ALSO FEATURING METAL LEVER HANDLES. SHOWN WITH P0616 (SOLD SEPARATELY)	72	2,229.00
P1025M	P1025 MATTE NICKEL	72	2,528.00
P1025N	P1025 POLISHED NICKEL	72	2,229.00
P1025S	P1025 SUPERCOATED BRASS	72	2,425.00
P1025Z	P1025 OIL RUBBED BRONZE	72	2,575.00
P1025-28C	CHROME FAUCET & OVER THE RIM SUPPLY SET KIT. INCLUDES BRITISH TELEPHONE 7" CENTER FAUCET W/LEVER HANDLES, METAL HANDHELD SHOWER AND OUR P0398 28" HIGH SUPPLIES ALSO FEATURING METAL LEVER HANDLES	72	2,282.00
P1025-28M	P1025-28 MATTE NICKEL	72	2,590.00
P1025-28N	P1025-28 POLISHED NICKEL	72	2,282.00
P1025-28S	P1025-28 SUPERCOATED BRASS	72	2,478.00
P1025-28Z	P1025-28 OIL RUBBED BRONZE	72	2,636.00
P1025-30C	CHROME FAUCET & OVER THE RIM SUPPLY SET KIT. INCLUDES BRITISH TELEPHONE 7" CENTER FAUCET W/LEVER HANDLES, METAL HANDHELD SHOWER AND 30" HIGH SUPPLIES ALSO FEATURING METAL LEVER HANDLES	72	2,300.00
P1025-30M	P1025-30 MATTE NICKEL	72	2,619.00
P1025-30N	P1025-30 POLISHED NICKEL	72	2,300.00
P1025-30S	P1025-30 SUPERCOATED BRASS	72	2,496.00
P1025-30Z	P1025-30 OIL RUBBED BRONZE	72	2,665.00
P1026C	CHROME 3 BALL LEG TUB FAUCET WITH 9 3/4" H GOOSENECK SPOUT & METAL LEVER HANDLES	47	608.00

P Items - P Items		P1026M – P1041S	
ITEM #	DESCRIPTION	PG	PRICE
P1026M	P1026 MATTE NICKEL	47	657.00
P1026N	P1026 POLISHED NICKEL	47	608.00
P1026S	P1026 SUPERCOATED BRASS	47	666.00
P1026Z	P1026 OIL RUBBED BRONZE	47	660.00
P1027C	CHROME 7" CENTER WALL MOUNT BRITISH TELEPHONE FAUCET W/PORCELAIN HAND HELD SHOWER AND PORCELAIN BUTTONS, INCLUDES VACUUM BREAKER	63	1,286.00
P1027M	P1027 MATTE NICKEL	63	1,392.00
P1027N	P1027 POLISHED NICKEL	63	1,286.00
P1027S	P1027 SUPERCOATED BRASS	63	1,510.00
P1027Z	P1027 OIL RUBBED BRONZE	63	1,570.00
P1032C	CHROME FAUCET & OVER THE RIM SUPPLY SET KIT. INCLUDES THERMOSTATIC 7" CTR, FIXED ARCH SPOUT FAUCET, SIDE MT HANDHELD SHOWER AND OUR P0398 24" HIGH SUPPLIES	74	3,072.00
P1032M	P1032 MATTE NICKEL	74	3,368.00
P1032N	P1032 POLISHED NICKEL	74	3,072.00
P1032S	P1032 SUPERCOATED BRASS	74	3,237.00
P1032Z	P1032 OIL RUBBED BRONZE	74	3,566.00
P1032-28C	CHROME FAUCET & OVER THE RIM SUPPLY SET KIT. INC THERMOSTATIC 7" CTR, FIXED ARCH SPOUT FAUCET, SIDE MT HANDHELD SHOWER AND OUR P0398 28" HIGH SUPPLIES	74	3,125.00
P1032-28M	P1032-28 MATTE NICKEL	74	3,430.00
P1032-28N	P1032-28 POLISHED NICKEL	74	3,125.00
P1032-28S	P1032-28 SUPERCOATED BRASS	74	3,290.00
P1032-28Z	P1032-28 OIL RUBBED BRONZE	74	3,626.00
P1033C	CHROME RIO GRANDE WIDESPREAD LAV SET, INCLUDES SPOUT, VALVES, HANDLES, ESCUTCHEONS & POP-UP DRAIN	94	1,043.00
P1033M	P1033 MATTE NICKEL	94	1,105.00
P1033N	P1033 POLISHED NICKEL	94	1,043.00
P1033S	P1033 SUPERCOATED BRASS	94	1,051.00
P1033Z	P1033 OIL RUBBED BRONZE	94	1,134.00
P1036	P1036 THE SENECA 65" ACRYLIC TUB, WITHOUT FAUCET HOLES. INCLUDES DRAIN, SPECIFY FINISH. INC NON-SLIP ADHESIVE STRIPS.		
P1036C	P1036 WITH CHROME DRAIN	6	5,460.00
P1036M	P1036 WITH MATTE NICKEL DRAIN	6	5,460.00
P1036N	P1036 WITH POLISHED NICKEL DRAIN	6	5,460.00
P1036S	P1036 WITH SUPERCOATED BRASS DRAIN	6	5,460.00
P1036Z	P1036 WITH OIL RUBBED BRONZE DRAIN	6	5,460.00
P1037C	CHROME WALL MOUNT GOOSENECK FAUCET, 3 3/8" CTR W/HANDHELD SHOWER, INCLUDES VACUUM BREAKER	63	1,155.00
P1037M	P1037 MATTE NICKEL	63	1,248.00
P1037N	P1037 POLISHED NICKEL	63	1,155.00
P1037S	P1037 SUPERCOATED BRASS	63	1,364.00
P1037Z	P1037 OIL RUBBED BRONZE	63	1,339.00
P1038	EXTENDED STRAINER BUSHING -FITS OUR P0007E SERIES	80	31.00
P1040C	CHROME THERMOSTATIC CONTROL VALVE WITH ROUND PORCELAIN PLATE, 7 1/4" DIA AND 4 SPOKE HANDLE	114	1,110.00
P1040M	P1040 MATTE NICKEL	114	1,143.00
P1040N	P1040 POLISHED NICKEL	114	1,110.00
P1040S	P1040 SUPERCOATED BRASS	114	1,113.00
P1040Z	P1040 OIL RUBBED BRONZE	114	1,143.00
P1041C	CHROME THERMOSTATIC CONTROL VALVE WITH ROUND PLATE, 7 3/4" DIA AND DECO LEVER HANDLE	114	1,028.00
P1041M	P1041 MATTE NICKEL	114	1,061.00
P1041N	P1041 POLISHED NICKEL	114	1,028.00
P1041S	P1041 SUPERCOATED BRASS	114	1,030.00

Suggested Retail Price List Catalog No. 1901

P Items - P Items		P1042C – P1053N	
ITEM #	DESCRIPTION	PG	PRICE
P1042C	CHROME VOLUME CONTROL VALVE FOR 1 DEVICE WITH PORC/CHROME ESCUTCHEON AND 4 SPOKE HANDLE	115	281.00
P1042M	P1042 MATTE NICKEL	115	288.00
P1042N	P1042 POLISHED NICKEL	115	281.00
P1042S	P1042 SUPERCOATED BRASS	115	281.00
P1042Z	P1042 OIL RUBBED BRONZE	115	288.00
P1043C	CHROME VOLUME CONTROL VALVE FOR 1 DEVICE WITH DECO ESCUTCHEON AND DECO LEVER HANDLE	115	276.00
P1043M	P1043 MATTE NICKEL	115	292.00
P1043N	P1043 POLISHED NICKEL	115	276.00
P1043S	P1043 SUPERCOATED BRASS	115	276.00
P1044C	CHROME 10 1/2" TUB SPOUT, 1/2" IPS FEMALE CONNECTION	117	248.00
P1044M	P1044 MATTE NICKEL	117	268.00
P1044N	P1044 POLISHED NICKEL	117	248.00
P1044S	P1044 SUPERCOATED BRASS	117	248.00
P1044Z	P1044 OIL RUBBED BRONZE	117	268.00
P1045C	CHROME WALL MT DECO KITCHEN FAUCET. 8" CENTERS. 6" SWIVEL SPOUT DECO LEVER HANDLES	132	718.00
P1045M	P1045 MATTE NICKEL	132	781.00
P1045N	P1045 POLISHED NICKEL	132	718.00
P1046C	CHROME DECK MT DECO KITCHEN FAUCET. 8" CENTERS. 6" SWIVEL SPOUT. DECO LEVER HANDLES	132	790.00
P1046M	P1046 MATTE NICKEL	132	853.00
P1046N	P1046 POLISHED NICKEL	132	790.00
P1047C	CHROME WALL MT DECO KITCHEN FAUCET. 8" CENTERS. 6" SWIVEL SPOUT W/SOAP DISH. DECO LEVER HANDLES	132	770.00
P1047M	P1047 MATTE NICKEL	132	833.00
P1047N	P1047 POLISHED NICKEL	132	770.00
P1048C	CHROME DECK MT DECO KITCHEN FAUCET. 8" CENTERS. 6" SWIVEL SPOUT W/SOAP DISH. DECO LEVER HANDLES	132	842.00
P1048M	P1048 MATTE NICKEL	132	905.00
P1048N	P1048 POLISHED NICKEL	132	842.00
P1049C	CHROME EXPOSED THERMO TUB & SHOWER SET, 7" CTRS INCLUDES FAUCET, TUB FILLER, HANDHELD SHOWER, 54" RISER, 12" WALL BRACE & SHOWER HEAD	107	2,868.00
P1049M	P1049 MATTE NICKEL	107	3,332.00
P1049N	P1049 POLISHED NICKEL	107	2,868.00
P1049S	P1049 SUPERCOATED BRASS	107	3,060.00
P1049Z	P1049 OIL RUBBED BRONZE	107	3,396.00
P1050	CONSOLE SINK WITH LEGS, FRONT 35" H, BACK 39 1/2" H, 36 1/2" W, 22" FROM WALL, OPENING IS 13" X 21" X 6 1/4" DEEP, 8" CENTER FAUCET HOLES.	123	1,050.00
P1050L	P1050 LEG PAIR ONLY	123	195.00
P1051	SMALL PORCELAIN DECO PEDESTAL SINK TOTAL HEIGHT 33 3/4", 23"W, 18 1/2" FROM WALL, OPENING IS 10 1/2" X 16 1/2" X 5 1/2" DEEP PEDESTAL HEIGHT 27 1/2", BASE 12" X 10" 8" CENTER FAUCET HOLES	123	812.00
P1051L	P1051 PEDESTAL ONLY	123	165.00
P1052	PORCELAIN DECO PEDESTAL SINK W/BACKSPASH. TOTAL HEIGHT 38 3/4", FRONT 34 1/2", 26 3/4" W, 20" FROM WALL, OPENING IS 11 1/2" X 19 1/2" X 6 3/4" DEEP. PEDESTAL HEIGHT 28 1/2", BASE 13" X 12 1/2" 8" CENTER FAUCET HOLES.	123	854.00
P1052L	P1052 PEDESTAL ONLY	123	195.00
P1053C	CHROME LEG TUB FAUCET, 3 3/8" CTR W/HANDHELD SHOWER, INCLUDES VACUUM BREAKER	46	1,110.00
P1053M	P1053 MATTE NICKEL	46	1,198.00
P1053N	P1053 POLISHED NICKEL	46	1,110.00

P Items - P Items		P1053S – P1068Z	
ITEM #	DESCRIPTION	PG	PRICE
P1053S	P1053 SUPERCOATED BRASS	46	1,318.00
P1053Z	P1053 OIL RUBBED BRONZE	46	1,362.00
P1054C	CHROME DECK MOUNT FAUCET W/HANDHELD SHOWER, ADJUSTABLE CTRS FROM 3 3/8" TO 9 3/8", INCLUDES VACUUM BREAKER	53	1,511.00
P1054M	P1054 MATTE NICKEL	53	1,624.00
P1054N	P1054 POLISHED NICKEL	53	1,511.00
P1054S	P1054 SUPERCOATED BRASS	53	1,726.00
P1054Z	P1054 OIL RUBBED BRONZE	53	1,757.00
P1055C	CHROME WALL MOUNT FAUCET, W/HANDHELD SHOWER, 3 3/8" CTR	66	1,278.00
P1055M	P1055 MATTE NICKEL	66	1,366.00
P1055N	P1055 POLISHED NICKEL	66	1,278.00
P1055S	P1055 SUPERCOATED BRASS	66	1,487.00
P1055Z	P1055 OIL RUBBED BRONZE	66	1,490.00
P1056C	CHROME FAUCET & OVER THE RIM SUPPLY SET KIT. INCLUDES 3 3/8" CTR FAUCET W/HANDHELD SHOWER AND OUR P0398 24" HIGH SUPPLIES	73	2,137.00
P1056M	P1056 MATTE NICKEL	73	2,352.00
P1056N	P1056 POLISHED NICKEL	73	2,137.00
P1056S	P1056 SUPERCOAT BRASS	73	2,332.00
P1056Z	P1056 OIL RUBBED BRONZE	73	2,429.00
P1056-28C	CHROME FAUCET & OVER THE RIM SUPPLY SET KIT. INCLUDES 3 3/8" CTR FAUCET W/HANDHELD SHOWER AND OUR P0398 28" HIGH SUPPLIES	73	2,190.00
P1056-28M	P1056-28 MATTE NICKEL	73	2,415.00
P1056-28N	P1056-28 POLISHED NICKEL	73	2,190.00
P1056-28S	P1056-28 SUPERCOAT BRASS	73	2,360.00
P1056-28Z	P1056-28 OIL RUBBED BRONZE	73	2,489.00
P1060C	CHROME VOLUME CONTROL VALVE FOR 1 DEVICE WITH RIO GRANDE ESC AND 4 SPOKE CROSSPOINT HANDLE	115	285.00
P1060M	P1060 MATTE NICKEL	115	299.00
P1060N	P1060 POLISHED NICKEL	115	285.00
P1060S	P1060 SUPERCOATED BRASS	115	285.00
P1060Z	P1060 OIL RUBBED BRONZE	115	299.00
P1063C	CHROME WALL MOUNTED KITCHEN SET, 8" CENTERS	133	1,292.00
P1063M	P1063 MATTE NICKEL	133	1,355.00
P1063N	P1063 POLISHED NICKEL	133	1,292.00
P1064C	CHROME DECK MOUNTED KITCHEN SET, 8" CENTERS	133	1,338.00
P1064M	P1064 MATTE NICKEL	133	1,400.00
P1064N	P1064 POLISHED NICKEL	133	1,338.00
P1065C	CHROME DECK MOUNTED KITCHEN SET WITH TALL SPOUT	133	882.00
P1065M	P1065 MATTE NICKEL	133	944.00
P1065N	P1065 POLISHED NICKEL	133	882.00
P1066C	CHROME DECK MOUNTED KITCHEN SET WITH ARCHED SPOUT	133	854.00
P1066M	P1066 MATTE NICKEL	133	917.00
P1066N	P1066 POLISHED NICKEL	133	854.00
P1067C	CHROME LEG TUB THERMOSTATIC TUB FILLER WITH HAND HELD SHOWER, CENTERS ARE 3 3/8" TO 12"	42	2,074.00
P1067M	P1067 MATTE NICKEL	42	2,261.00
P1067N	P1067 POLISHED NICKEL	42	2,074.00
P1067S	P1067 SUPERCOATED BRASS	42	2,213.00
P1067Z	P1067 OIL RUBBED BRONZE	42	2,463.00
P1068C	CHROME DECK MOUNTED THERMOSTATIC TUB FILLER AND DIVERTER, WITH OUR HANDHELD SHOWER	59	2,081.00
P1068M	P1068 MATTE NICKEL	59	2,250.00
P1068N	P1068 POLISHED NICKEL	59	2,081.00
P1068S	P1068 SUPERCOATED BRASS	59	2,220.00
P1068Z	P1068 OIL RUBBED BRONZE	59	2,468.00

Suggested Retail Price List Catalog No. 1901

P Items - P Items P1069C – P1076Z

ITEM #	DESCRIPTION	PG	PRICE
P1069C	CHROME FAUCET & OVER THE RIM SUPPLY SET KIT. INCLUDES THERMOSTATIC 7" CENTER FAUCET W/HANDHELD SHOWER AND OUR P0398 24" HIGH SUPPLIES	74	3,011.00
P1069M	P1069 MATTE NICKEL	74	3,304.00
P1069N	P1069 POLISHED NICKEL	74	3,011.00
P1069S	P1069 SUPERCOATED BRASS	74	3,151.00
P1069Z	P1069 OIL RUBBED BRONZE	74	3,468.00
P1069-28C	CHROME FAUCET & OVER THE RIM SUPPLY SET KIT. INCLUDES THERMOSTATIC 7" CENTER FAUCET W/HANDHELD SHOWER AND OUR P0398 28" HIGH SUPPLIES	74	3,065.00
P1069-28M	P1069-28 MATTE NICKEL	74	3,364.00
P1069-28N	P1069-28 POLISHED NICKEL	74	3,065.00
P1069-28S	P1069-28 SUPERCOATED BRASS	74	3,203.00
P1069-28Z	P1069-28 OIL RUBBED BRONZE	74	3,528.00
P1071C	CHROME THERMOSTATIC SHOWER ENCLOSURE SET, INCLUDES FAUCET, RISER, 45" x 25" ENCLOSURE & SHOWER HEAD	26	2,802.00
P1071M	P1071 MATTE NICKEL	26	3,087.00
P1071N	P1071 POLISHED NICKEL	26	2,802.00
P1071S	P1071 SUPERCOATED BRASS	26	2,894.00
P1071Z	P1071 OIL RUBBED BRONZE	26	3,226.00
P1071EXTC	CHROME THERMOSTATIC SHOWER ENCLOSURE SET INCLUDES FAUCET, RISER, EXTENDED 57" X 31" ENCLOSURE & SHOWER HEAD	26	2,856.00
P1071EXTM	P1071EXT MATTE NICKEL	26	3,170.00
P1071EXTN	P1071EXT POLISHED NICKEL	26	2,856.00
P1071EXTS	P1071EXT SUPERCOATED BRASS	26	2,948.00
P1071EXTZ	P1071EXT OIL RUBBED BRONZE	26	3,333.00
P1072C	CHROME HANDHELD CONVERSION UNIT	32	545.00
P1072M	P1072 MATTE NICKEL	32	652.00
P1072N	P1072 POLISHED NICKEL	32	545.00
P1072S	P1072 SUPERCOATED BRASS	32	545.00
P1072Z	P1072 OIL RUBBED BRONZE	32	652.00
P1073C	CHROME DECK MOUNT TRADITIONAL TELEPHONE FAUCET WITH 2 1/2"-12" CENTERS, TRADITIONAL SPOUT, CROSSPOINT H&C HANDLES & 1/2" IPS HOOK-UPS. INCLUDES VACUUM BREAKER	56	1,516.00
P1073M	P1073 MATTE NICKEL	56	1,624.00
P1073N	P1073 POLISHED NICKEL	56	1,516.00
P1073S	P1073 SUPERCOATED BRASS	56	1,740.00
P1073Z	P1073 OIL RUBBED BRONZE	56	1,861.00
P1074C	CHROME DECK MOUNT TRADITIONAL TELEPHONE FAUCET W/METAL HANDHELD SHOWER 7" CENTER TRADITIONAL SPOUT, LEVER HANDLES & 1/2" IPS HOOK-UPS	57	1,492.00
P1074M	P1074 MATTE NICKEL	57	1,630.00
P1074N	P1074 POLISHED NICKEL	57	1,492.00
P1074S	P1074 SUPERCOATED BRASS	57	1,689.00
P1074Z	P1074 OIL RUBBED BRONZE	57	1,788.00
P1075C	CHROME DECK MOUNT FAUCET, 7" CTRS, TRADITIONAL SPOUT, 5 SPOKE HANDLES & 1/2" IPS HOOK-UPS.	56	1,175.00
P1075M	P1075 MATTE NICKEL	56	1,260.00
P1075N	P1075 POLISHED NICKEL	56	1,175.00
P1075S	P1075 SUPERCOATED BRASS	56	1,352.00
P1075Z	P1075 OIL RUBBED BRONZE	56	1,365.00
P1076C	CHROME DECK MOUNT TRADITIONAL TELEPHONE FAUCET W/METAL HANDHELD SHOWER 7" CENTER TRADITIONAL SPOUT, LEVER HANDLES & 1/2" IPS HOOK-UPS INCLUDES VACUUM BREAKER	57	1,488.00
P1076M	P1076 MATTE NICKEL	57	1,624.00
P1076N	P1076 POLISHED NICKEL	57	1,488.00
P1076S	P1076 SUPERCOATED BRASS	57	1,684.00
P1076Z	P1076 OIL RUBBED BRONZE	57	1,786.00

P Items - P Items P1077C – P1082-28Z

ITEM #	DESCRIPTION	PG	PRICE
P1077C	CHROME DECK MOUNT FAUCET, 7" CENTERS, DECO SPOUT, DECO CROSS POINT HANDLES & 1/2" IPS HOOK-UPS INCLUDES VACUUM BREAKER	52	1,042.00
P1077M	P1077 MATTE NICKEL	52	1,120.00
P1077N	P1077 POLISHED NICKEL	52	1,042.00
P1077S	P1077 SUPERCOATED BRASS	52	1,219.00
P1077Z	P1077 OIL RUBBED BRONZE	52	1,199.00
P1078C	WALL MOUNT FAUCET W/7" CENTERS, CROSS POINT HANDLES. INCLUDES 4" WALL MT COUPLERS WITH 1/2" IPS FEMALE CONNECTION	68	997.00
P1078M	P1078 MATTE NICKEL	68	1,078.00
P1078N	P1078 POLISHED NICKEL	68	997.00
P1078S	P1078 SUPERCOATED BRASS	68	1,174.00
P1078Z	P1078 OIL RUBBED BRONZE	68	1,166.00
P1079C	CHROME WALL MOUNT TRADITIONAL TELEPHONE FAUCET, 7" CENTERS, 4" WALL MOUNT COUPLERS WITH 1/2" IPS FEMALE CONNECTIONS. INCLUDES VACUUM BREAKER	65	1,448.00
P1079M	P1079 MATTE NICKEL	65	1,588.00
P1079N	P1079 POLISHED NICKEL	65	1,448.00
P1079S	P1079 SUPERCOATED BRASS	65	1,644.00
P1079Z	P1079 OIL RUBBED BRONZE	65	1,726.00
P1080C	CHROME WALL MOUNT TRADITIONAL TELEPHONE FAUCET, 7" CENTERS, METAL HANDHELD, LEVER HANDLES & 6" WALL MT COUPLERS WITH 1/2" IPS FEMALE CONNECTIONS	65	1,499.00
P1080M	P1080 MATTE NICKEL	65	1,764.00
P1080N	P1080 POLISHED NICKEL	65	1,499.00
P1080S	P1080 SUPERCOATED BRASS	65	1,695.00
P1080Z	P1080 OIL RUBBED BRONZE	65	1,798.00
P1081C	CHROME DECO FAUCET & OVER THE RIM SUPPLY SET KIT. INCLUDES METAL HANDHELD, 7" CENTER FAUCET W/DECO SPOUT & LEVER HANDLES AND OUR P0398 24" HIGH SUPPLIES	73	2,222.00
P1081M	P1081 MATTE NICKEL	73	2,481.00
P1081N	P1081 POLISHED NICKEL	73	2,222.00
P1081S	P1081 SUPERCOATED BRASS	73	2,418.00
P1081Z	P1081 OIL RUBBED BRONZE	73	2,631.00
P1081-28C	CHROME DECO FAUCET & OVER THE RIM SUPPLY SET KIT. INCLUDES METAL HANDHELD, 7" CENTER FAUCET W/DECO SPOUT & LEVER HANDLES AND OUR P0398 28" HIGH SUPPLIES	73	2,275.00
P1081-28M	P1081-28 MATTE NICKEL	73	2,542.00
P1081-28N	P1081-28 POLISHED NICKEL	73	2,275.00
P1081-28S	P1081-28 SUPERCOATED BRASS	73	2,471.00
P1081-28Z	P1081-28 OIL RUBBED BRONZE	73	2,291.00
P1082C	CHROME TRADITIONAL TELEPHONE FAUCET & OVER THE RIM SUPPLY SET KIT. INCLUDES PORCELAIN HANDHELD, 7" CENTER FAUCET W/TRADITIONAL SPOUT, CROSS POINT HANDLES AND OUR P0398 24" HIGH SUPPLIES	73	2,258.00
P1082M	P1082 MATTE NICKEL	73	2,482.00
P1082N	P1082 POLISHED NICKEL	73	2,258.00
P1082S	P1082 SUPERCOATED BRASS	73	2,483.00
P1082Z	P1082 OIL RUBBED BRONZE	73	2,640.00
P1082-28C	CHROME TRADITIONAL TELEPHONE FAUCET & OVER THE RIM SUPPLY SET KIT INCLUDES PORCELAIN HANDHELD, 7" CENTER FAUCET W/TRADITIONAL SPOUT, CROSS POINT HANDLES AND OUR P0398 28" HIGH SUPPLIES	73	2,311.00
P1082-28M	P1082-28 MATTE NICKEL	73	2,544.00
P1082-28N	P1082-28 POLISHED NICKEL	73	2,311.00
P1082-28S	P1082-28 SUPERCOATED BRASS	73	2,536.00
P1082-28Z	P1082-28 OIL RUBBED BRONZE	73	2,701.00

Suggested Retail Price List Catalog No. 1901

P Items - P Items		P1083C - P1090C	
ITEM #	DESCRIPTION	PG	PRICE
P1083C	CHROME TRADITIONAL FAUCET & OVER THE RIM SUPPLY SET KIT. INCLUDES METAL HANDHELD, 7" CENTER FAUCET W/TRADITIONAL SPOUT, PORC LEVER HANDLES & OUR P0398 24" HIGH SUPPLIES	73	2,312.00
P1083M	P1083 MATTE NICKEL	73	2,574.00
P1083N	P1083 POLISHED NICKEL	73	2,312.00
P1083S	P1083 SUPERCOATED BRASS	73	2,508.00
P1083Z	P1083 OIL RUBBED BRONZE	73	2,674.00
P1083-28C	CHROME TRADITIONAL FAUCET & OVER THE RIM SUPPLY SET KIT. INCLUDES METAL HANDHELD, 7" CENTER FAUCET W/TRADITIONAL SPOUT, PORC LEVER HANDLES & OUR P0398 28" HIGH SUPPLIES	73	2,365.00
P1083-28M	P1083-28 MATTE NICKEL	73	2,636.00
P1083-28N	P1083-28 POLISHED NICKEL	73	2,365.00
P1083-28S	P1083-28 SUPERCOATED BRASS	73	2,561.00
P1083-28Z	P1083-28 OIL RUBBED BRONZE	73	2,734.00
P1084C	CHROME 8" SHOWER HEAD W/16" STRAIGHT ARM & ESCUTCHEON	116	347.00
P1084M	P1084 MATTE NICKEL	116	416.00
P1084N	P1084 POLISHED NICKEL	116	347.00
P1084S	P1084 SUPERCOATED BRASS	116	421.00
P1084Z	P1084 OIL RUBBED BRONZE	116	529.00
P1085C	CHROME WATER SAVING EXPOSED THERMOSTATIC 7" CENTER SHOWER UNIT WITH MULTI FUNCTION DIVERTER INCLUDES HANDHELD SHOWER	104	2,440.00
P1085M	P1085 MATTE NICKEL	104	2,738.00
P1085N	P1085 POLISHED NICKEL	104	2,440.00
P1085S	P1085 SUPERCOATED BRASS	104	2,633.00
P1085Z	P1085 OIL RUBBED BRONZE FINISH	104	2,989.00
P1086C	CHROME 3/4" OD, 36" TALL CROOK STYLE RISER. 1/2" IPS CONNECTION TO SHOWER HEAD	105	309.00
P1086M	P1086 MATTE NICKEL	105	337.00
P1086N	P1086 POLISHED NICKEL	105	309.00
P1086S	P1086 SUPERCOATED BRASS	105	309.00
P1086Z	P1086 OIL RUBBED BRONZE FINISH	105	337.00
P1086-48C	CHROME 3/4" OD, 48" TALL CROOK STYLE RISER. 1/2" IPS CONNECTION TO SHOWER HEAD	105	442.00
P1086-48M	P1086-48 MATTE NICKEL	105	473.00
P1086-48N	P1086-48 POLISHED NICKEL	105	442.00
P1086-48S	P1086-48 SUPERCOATED BRASS	105	442.00
P1086-48Z	P1086-48 OIL RUBBED BRONZE FINISH	105	487.00
P1087C	CHROME THERMOSTATIC EXPOSED SHOWER SET W/CROOK STYLE 36" RISER, 7" CENTERS	106	1,999.00
P1087M	P1087 MATTE NICKEL	106	2,209.00
P1087N	P1087 POLISHED NICKEL	106	1,999.00
P1087S	P1087 SUPERCOATED BRASS	106	2,183.00
P1087Z	P1087 OIL RUBBED BRONZE FINISH	106	2,454.00
P1088C	CHROME THERMOSTATIC EXPOSED SHOWER SET W/CROOK STYLE 36" RISER, 7" CENTERS & HANDHELD SHOWER	105	2,552.00
P1088M	P1088 MATTE NICKEL	105	2,832.00
P1088N	P1088 POLISHED NICKEL	105	2,552.00
P1088S	P1088 SUPERCOATED BRASS	105	2,791.00
P1088Z	P1088 OIL RUBBED BRONZE FINISH	105	3,159.00
P1089C	CHROME THERMOSTATIC EXPOSED SHOWER SET W/SPOUT & CROOK STYLE 36" RISER, 7" CENTERS	106	2,265.00
P1089M	P1089 MATTE NICKEL	106	2,545.00
P1089N	P1089 POLISHED NICKEL	106	2,265.00
P1089S	P1089 SUPERCOATED BRASS	106	2,476.00
P1089Z	P1089 OIL RUBBED BRONZE FINISH	106	2,773.00
P1090C	CHROME WATER SAVING EXPOSED THERMOSTATIC 7" CENTER SHOWER UNIT W/ MULTI FUNCTION DIVERTER & 36" CROOK STYLE RISER. INCLUDES HANDHELD SHOWER	105	2,399.00

P Items - P Items		P1090M - P1098M	
ITEM #	DESCRIPTION	PG	PRICE
P1090M	P1090 MATTE NICKEL	105	2,679.00
P1090N	P1090 POLISHED NICKEL	105	2,399.00
P1090S	P1090 SUPERCOATED BRASS	105	2,599.00
P1090Z	P1090 OIL RUBBED BRONZE FINISH	105	2,941.00
P1091C	CHROME WALL MOUNT SHOWER SET W/EXPOSED 36" CROOK STYLE RISER. INCLUDES VALVE BODY, WALL BRACE, RISER AND SHOWER HEAD, 8" CENTERS, ROUGH IN 1/2" IPS 1/2" PAST FINISHED WALL	111	1,366.00
P1091M	P1091 MATTE NICKEL	111	1,576.00
P1091N	P1091 POLISHED NICKEL	111	1,366.00
P1091S	P1091 SUPERCOATED BRASS	111	1,440.00
P1091Z	P1091 OIL RUBBED BRONZE FINISH	111	1,626.00
P1092C	CHROME EXPOSED WALL MOUNT SHOWER SET, INCLUDES DIVERTER VALVE, HANDHELD SHOWER, BRACKET, WALL BRACE, 36" CROOK STYLE RISER & SHOWER HEAD. 7" CENTERS, ROUGH IN 1/2" IPS 1/2" PAST FINISHED WALL	109	1,795.00
P1092M	P1092 MATTE NICKEL	109	2,005.00
P1092N	P1092 POLISHED NICKEL	109	1,795.00
P1092S	P1092 SUPERCOATED BRASS	109	2,076.00
P1092Z	P1092 OIL RUBBED BRONZE FINISH	109	2,267.00
P1093C	CHROME WALL MOUNT SHOWER SET W/EXPOSED 36" CROOK STYLE RISER. INCLUDES VALVE BODY, WALL BRACE, RISER & SHOWER HEAD, 7" CENTERS, ROUGH IN 1/2" IPS 1/2" PAST FINISHED WALL	109	1,439.00
P1093M	P1093 MATTE NICKEL	109	1,649.00
P1093N	P1093 POLISHED NICKEL	109	1,439.00
P1093S	P1093 SUPERCOATED BRASS	109	1,690.00
P1093Z	P1093 OIL RUBBED BRONZE FINISH	109	1,805.00
P1094C	CHROME WATER SAVING EXPOSED THERMOSTATIC 7" CENTER SHOWER UNIT W/ MULTI FUNCTION DIVERTER & 36" RISER, SHOWER HEAD, HANDHELD SHOWER & WALL BRACE.	108	2,319.00
P1094M	P1094 MATTE NICKEL	108	2,535.00
P1094N	P1094 POLISHED NICKEL	108	2,319.00
P1094S	P1094 SUPERCOATED BRASS	108	2,438.00
P1094Z	P1094 OIL RUBBED BRONZE FINISH	108	2,724.00
P1095C	CHROME EXPOSED WALL MOUNT SHOWER SET, INCLUDES DIVERTER VALVE, HANDHELD SHOWER, BRACKET, WALL BRACE, 36" RISER & SHOWER HEAD. 7" CENTERS, ROUGH IN 1/2" IPS 1/2" PAST FINISHED WALL	109	1,773.00
P1095M	P1095 MATTE NICKEL	109	2,141.00
P1095N	P1095 POLISHED NICKEL	109	1,773.00
P1095S	P1095 SUPERCOATED BRASS	109	2,054.00
P1095Z	P1095 OIL RUBBED BRONZE FINISH	109	2,253.00
P1096C	CHROME WALL MOUNT SHOWER SET W/ EXPOSED 36" TALL RISER. INCLUDES VALVE BODY, WALL BRACE AND SHOWER HEAD, 7" CENTERS, ROUGH IN 1/2" IPS 1/2" PAST FINISHED WALL	111	1,397.00
P1096M	P1096 MATTE NICKEL	111	1,607.00
P1096N	P1096 POLISHED NICKEL	111	1,397.00
P1096S	P1096 SUPERCOATED BRASS	111	1,576.00
P1096Z	P1096 OIL RUBBED BRONZE FINISH	111	1,639.00
P1097C	CHROME DIVERTER VALVE W/STOP FOR 2 OR 3 DEVICES. INCLUDES TRADITIONAL ESCUTCHEON & PORCELAIN LEVER HANDLE	115	244.00
P1097M	P1097 MATTE NICKEL	115	257.00
P1097N	P1097 POLISHED NICKEL	115	244.00
P1097S	P1097 SUPERCOATED BRASS	115	244.00
P1097Z	P1097 OIL RUBBED BRONZE FINISH	115	280.00
P1098C	CHROME DIVERTER VALVE W/STOP FOR 2 OR 3 DEVICES. INCLUDES TRADITIONAL ESCUTCHEON AND 4 SPOKE CROSSPOINT HANDLE	115	280.00
P1098M	P1098 MATTE NICKEL	115	308.00

Suggested Retail Price List Catalog No. 1901

P Items - P Items

P1098N – P1108Z

ITEM #	DESCRIPTION	PG	PRICE
P1098N	P1098 POLISHED NICKEL	115	280.00
P1098S	P1098 SUPERCOATED BRASS	115	280.00
P1098Z	P1098 OIL RUBBED BRONZE FINISH	115	322.00
P1099C	CHROME DIVERTER VALVE W/STOP FOR 2 OR 3 DEVICES. INCLUDES RIO GRANDE ESC AND 5 SPOKE CROSSPOINT HANDLE	115	308.00
P1099M	P1099 MATTE NICKEL	115	350.00
P1099N	P1099 POLISHED NICKEL	115	308.00
P1099S	P1099 SUPERCOATED BRASS	115	308.00
P1099Z	P1099 OIL RUBBED BRONZE FINISH	115	350.00
P1100C	CHROME DIVERTER VALVE W/STOP FOR 2 OR 3 DEVICES. INCLUDES DECO ESCUTCHEON & DECO CROSSPOINT HANDLE	115	297.00
P1100M	P1100 MATTE NICKEL	115	339.00
P1100N	P1100 POLISHED NICKEL	115	297.00
P1100S	P1100 SUPERCOATED BRASS	115	297.00
P1101C	CHROME DIVERTER VALVE W/STOP FOR 2 OR 3 DEVICES. INCLUDES ESCUTCHEON AND LEVER HANDLE	115	280.00
P1101M	P1101 MATTE NICKEL	115	308.00
P1101N	P1101 POLISHED NICKEL	115	280.00
P1101S	P1101 SUPERCOATED BRASS	115	280.00
P1101Z	P1101 OIL RUBBED BRONZE FINISH	115	322.00
P1102C	CHROME DIVERTER VALVE W/STOP FOR 2 OR 3 DEVICES. INCLUDES PORC/CHROME ESCUTCHEON AND 4 SPOKE HANDLE	115	286.00
P1102M	P1102 MATTE NICKEL	115	328.00
P1102N	P1102 POLISHED NICKEL	115	286.00
P1102S	P1102 SUPERCOATED BRASS	115	286.00
P1102Z	P1102 OIL RUBBED BRONZE FINISH	115	328.00
P1103C	CHROME DIVERTER VALVE W/STOP FOR 2 OR 3 DEVICES. INCLUDES DECO ESCUTCHEON AND DECO LEVER HANDLE	115	273.00
P1103M	P1103 MATTE NICKEL	115	315.00
P1103N	P1103 POLISHED NICKEL	115	273.00
P1103S	P1103 SUPERCOATED BRASS	115	273.00
P1104C	CHROME DIVERTER VALVE W/STOP FOR 2 OR 3 DEVICES. INCLUDES RIO GRANDE ESC AND 4 SPOKE CROSSPOINT HANDLE	115	283.00
P1104M	P1104 MATTE NICKEL	115	325.00
P1104N	P1104 POLISHED NICKEL	115	283.00
P1104S	P1104 SUPERCOATED BRASS	115	283.00
P1104Z	P1104 OIL RUBBED BRONZE FINISH	115	325.00
P1106	P1106 THE GREAT LAKE 71" ACRYLIC RECTANGULAR SOAKING TUB, WITHOUT FAUCET HOLES. INCLUDES DRAIN, SPECIFY FINISH. INCLUDES NON-SLIP ADHESIVE STRIPS.		
P1106C	P1106 WITH CHROME DRAIN	7	5,040.00
P1106M	P1106 WITH MATTE NICKEL DRAIN	7	5,040.00
P1106N	P1106 WITH POLISHED NICKEL DRAIN	7	5,040.00
P1106S	P1106 WITH SUPERCOATED BRASS DRAIN	7	5,040.00
P1106Z	P1106 WITH OIL RUBBED BRONZE FINISH DRAIN	7	5,040.00
P1108	P1108 THE AUSTIN 67" CONTEMPORARY ACRYLIC SLIPPER SOAKING TUB, WITHOUT FAUCET HOLES. INCLUDES DRAIN, SPECIFY FINISH. INCLUDES NON-SLIP ADHESIVE STRIPS.		
P1108C	P1108 WITH CHROME DRAIN	6	5,040.00
P1108M	P1108 WITH MATTE NICKEL DRAIN	6	5,040.00
P1108N	P1108 WITH POLISHED NICKEL DRAIN	6	5,040.00
P1108S	P1108 WITH SUPERCOATED BRASS DRAIN	6	5,040.00
P1108Z	P1108 WITH OIL RUBBED BRONZE DRAIN	6	5,040.00

P Items - P Items

P1109 – P1116Z

ITEM #	DESCRIPTION	PG	PRICE
P1109	P1109 THE CHAMPLAIN 5 1/2' ACRYLIC DUAL TUB ON PEDESTAL WITH 7" CENTER TO CENTER DECK MOUNT FAUCET HOLES INCLUDES NON-SLIP ADHESIVE STRIPS.	16	4,690.00
P1110	P1110 THE CHAMPLAIN 5 1/2' ACRYLIC DUAL TUB ON PEDESTAL WITHOUT FAUCET HOLES INCLUDES NON-SLIP ADHESIVE STRIPS.	16	4,690.00
P1111	P1111 THE MADRONE 5' ACRYLIC SLIPPER PEDESTAL TUB WITH 7" CENTER TO CENTER RIM MOUNT FAUCET HOLES. INCLUDES OUR ROLL RIM ADAPTERS, SPECIFY FINISH. INCLUDES NON-SLIP ADHESIVE STRIPS.	10	4,620.00
P1112	P1112 THE MADRONE 5' ACRYLIC SLIPPER PEDESTAL TUB WITHOUT FAUCET HOLES. - INCLUDES NON-SLIP ADHESIVE STRIPS.	10	4,480.00
P1113	P1113 THE AUDREY 5 1/2' ACRYLIC 2 SEATER BATHTUB COUCH ON LEGS, CUSHION NOT INCLUDED		
P1113C	P1113 WITH CHROME LEGS	12	4,620.00
P1113M	P1113 WITH MATTE NICKEL LEGS	12	4,620.00
P1113N	P1113 WITH POLISHED NICKEL LEGS	12	4,620.00
P1113S	P1113 WITH SUPERCOAT BRASS LEGS	12	4,620.00
P1113W	P1113 WITH WHITE LEGS	12	4,620.00
P1113Z	P1113 WITH OIL RUBBED BRONZE FINISH LEGS	12	4,620.00
P1114	P1114 THE COMO 5' CAST IRON DUAL TUB ON DECO STYLE LEGS WITH 7" CENTER TO CENTER DECK MOUNT FAUCET HOLES INCLUDES NON-SLIP ADHESIVE STRIPS.		
P1114C	P1114 WITH CHROME LEGS	23	4,900.00
P1114M	P1114 WITH MATTE NICKEL LEGS	23	4,900.00
P1114N	P1114 WITH POLISHED NICKEL LEGS	23	4,900.00
P1114S	P1114 WITH SUPERCOAT BRASS LEGS	23	4,900.00
P1114W	P1114 WITH WHITE CAST IRON LEGS	23	4,060.00
P1114Z	P1114 WITH OIL RUBBED BRONZE FINISH LEGS	23	4,900.00
P1115	P1115 THE COMO 5' CAST IRON DUAL TUB ON DECO STYLE LEGS WITHOUT FAUCET HOLES. INCLUDES NON-SLIP ADHESIVE STRIPS.		
P1115C	P1115 WITH CHROME LEGS	23	4,900.00
P1115M	P1115 WITH MATTE NICKEL LEGS	23	4,900.00
P1115N	P1115 WITH POLISHED NICKEL LEGS	23	4,900.00
P1115S	P1115 WITH SUPERCOAT BRASS LEGS	23	4,900.00
P1115W	P1115 WITH WHITE CAST IRON LEGS	23	4,060.00
P1115Z	P1115 WITH OIL RUBBED BRONZE FINISH LEGS	23	4,900.00
P1116	P1116 THE ABERDEEN 5 1/2' CAST IRON DUAL TUB ON DECO STYLE LEGS WITH 7" CENTER TO CENTER DECK MOUNT FAUCET HOLES. INCLUDES NON-SLIP ADHESIVE STRIPS.		
P1116C	P1116 WITH CHROME LEGS	23	5,180.00
P1116M	P1116 WITH MATTE NICKEL LEGS	23	5,180.00
P1116N	P1116 WITH POLISHED NICKEL LEGS	23	5,180.00
P1116S	P1116 WITH SUPERCOAT BRASS LEGS	23	5,180.00
P1116W	P1116 WITH WHITE CAST IRON LEGS	23	4,340.00
P1116Z	P1116 WITH OIL RUBBED BRONZE FINISH LEGS	23	5,180.00

Suggested Retail Price List Catalog No. 1901

P Items - P Items

P1117 - P1126N

ITEM #	DESCRIPTION	PG	PRICE
P1117	P1117 THE ABERDEEN 5 1/2" CAST IRON DUAL TUB ON DECO STYLE LEGS WITHOUT FAUCET HOLES. INCLUDES NON-SLIP ADHESIVE STRIPS.		
P1117C	P1117 WITH CHROME LEGS	23	5,180.00
P1117M	P1115 WITH MATTE NICKEL LEGS	23	5,180.00
P1117N	P1117 WITH POLISHED NICKEL LEGS	23	5,180.00
P1117S	P1117 WITH SUPERCOAT BRASS LEGS	23	5,180.00
P1117W	P1117 WITH WHITE CAST IRON LEGS	23	4,340.00
P1117Z	P1117 WITH OIL RUBBED BRONZE FINISH LEGS	23	5,180.00
P1118	P1118 THE WHITNEY 42" CAST IRON FARMHOUSE SINGLE LEFTHAND DRAINBOARD SINK ONLY WITHOUT LEGS. USE STANDARD 3 1/2" DRAIN.	129	3,500.00
P1119	DROP IN PORCELAIN VESSEL SINK - 22" WIDE, 16 5/8" FRONT TO BACK, 5 1/2" DEEP BOWL	122	420.00
P1120	SMALL PORCELAIN MODERN STYLE PEDESTAL SINK. TOTAL HEIGHT 34 1/2", FRONT 31 3/4", 21 1/4"W, OPENING IS 20 3/4" X 13" X 6" DEEP 8" CENTER FAUCET HOLES, BASE 13" X 12 1/2" PEDESTAL BASE 9 1/4" x 6 3/4", BACK FULLY OPEN	122	1,064.00
P1120L	P1120 PEDESTAL ONLY	122	196.00
P1121	SMALL MODERN STYLE CONSOLE SINK TOTAL HEIGHT 33 3/4", FRONT 33 1/4", 21 1/4" DEPTH, OPENING IS 20 3/4" X 13" X 6" DEEP 8" CENTER FAUCET HOLES.	122	1,092.00
P1121L	PORCELAIN LEG PAIR- FITS P1121 & P1122	122	230.00
P1122	LARGE MODERN STYLE CONSOLE SINK WITH LEGS, TOTAL HEIGHT 33 3/4", FRONT 31 1/4", 21 1/4" DEPTH, OPENING IS 21" X 12 3/4" X 6" DEEP 8" CENTER FAUCET HOLES	122	1,288.00
P1121L	PORCELAIN LEG PAIR- FITS P1121 & P1122	122	230.00
P1123C	CHROME OUTDOOR SHOWER UNIT. 7" CENTER WALL MT FAUCET W/1/2" IPS FEMALE CONNECTION, 36" RISER & 16" SHOWER ARM. FAUCET BOTTOM CAP IS REMOVEABLE TO DRAIN FAUCET FOR WINTERIZATION	140	1,469.00
P1123M	P1123 MATTE NICKEL	140	1,610.00
P1123N	P1123 POLISHED NICKEL	140	1,469.00
P1123S	P1123 SUPERCOAT BRASS	140	1,648.00
P1123Z	P1123 OIL RUBBED BRONZE	140	1,713.00
P1124C	CHROME WALL MOUNT FAUCET W/7" CENTERS, CROSS POINT HANDLES & ARCH SPOUT. INC 4" WALL MT COUPLERS WITH 1/2" IPS FEMALE CONNECTION	69	1,217.00
P1124M	1124 MATTE NICKEL	69	1,302.00
P1124N	1124 POLISHED NICKEL	69	1,217.00
P1124S	1124 SUPERCOATED BRASS	69	1,525.00
P1124Z	1124 OIL RUBBED BRONZE	69	1,406.00
P1125C	CHROME WALL MOUNT FAUCET W/7" CENTERS, LEVER HANDLES & 5 1/2" DROP TUBE SPOUT. INC 4" WALL MT COUPLERS WITH 1/2" IPS FEMALE CONNECTION	70	1,070.00
P1125M	P1125 MATTE NICKEL	70	1,155.00
P1125N	P1125 POLISHED NICKEL	70	1,070.00
P1125S	P1125 SUPERCOAT BRASS	70	1,247.00
P1125Z	P1125 OIL RUBBED BRONZE	70	1,243.00
P1126C	CHROME WALL MOUNT DECO FAUCET W/7" CENTERS, CROSS POINT HANDLES & DECO SPOUT, SPOUT DROP 5" INCLUDES 4" WALL MT COUPLERS WITH 1/2" IPS FEMALE CONNECTION	68	1,030.00
P1126M	P1126 MATTE NICKEL	68	1,114.00
P1126N	P1126 POLISHED NICKEL	68	1,030.00

P Items - P Items

P1126S - P1134Z

ITEM #	DESCRIPTION	PG	PRICE
P1126S	P1126 SUPERCOAT BRASS	68	1,208.00
P1126Z	P1126 OIL RUBBED BRONZE	68	1,205.00
P1127C	CHROME WALL MOUNT FAUCET W/LEVER HANDLES, TUBE SPOUT & 6" WALL MT COUPLERS WITH 1/2" IPS FEMALE CONNECTION, 7" CENTERS	70	1,022.00
P1127M	P1127 MATTE NICKEL	70	1,106.00
P1127N	P1127 POLISHED NICKEL	70	1,022.00
P1127S	P1127 SUPERCOATED BRASS	70	1,199.00
P1127Z	P1127 OIL RUBBED BRONZE	70	1,190.00
P1128C	CHROME WALL MOUNT FAUCET W/LEVER HANDLES, DECO SPOUT & 6" WALL MT COUPLERS WITH 1/2" IPS FEMALE CONNECTION, 7" CENTERS.	69	1,005.00
P1128M	P1128 MATTE NICKEL	69	1,089.00
P1128N	P1128 POLISHED NICKEL	69	1,005.00
P1128S	P1128 SUPERCOAT BRASS	69	1,182.00
P1128Z	P1128 OIL RUBBED BRONZE	69	1,170.00
P1129C	CHROME FAUCET & OVER THE RIM SUPPLY SET KIT. INCLUDES GOOSENECK FAUCET W/VARIABLE CTRS FROM 3 3/8" TO 9 3/8" & OUR P0398 24" HIGH SUPPLIES	72	1,851.00
P1129M	P1129 MATTE NICKEL	72	2,022.00
P1129N	P1129 POLISHED NICKEL	72	1,851.00
P1129S	P1129 SUPERCOAT BRASS	72	1,909.00
P1129Z	P1129 OIL RUBBED BRONZE	72	2,022.00
P1129-28C	CHROME FAUCET & OVER THE RIM SUPPLY SET KIT. INCLUDES GOOSENECK FAUCET W/VARIABLE CTRS FROM 3 3/8" TO 9 3/8" AND OUR P0398 28" HIGH SUPPLIES	72	1,904.00
P1129-28M	P1129-28 MATTE NICKEL	72	2,084.00
P1129-28N	P1129-28 POLISHED NICKEL	72	1,904.00
P1129-28S	P1129-28 SUPERCOATED BRASS	72	1,962.00
P1129-28Z	P1129-28 OIL RUBBED BRONZE	72	2,084.00
P1130C	CHROME THERMOSTATIC EXPOSED SHOWER SET, 36" RISER, VARIABLE CTRS BATHROOM WALL MOUNT CENTERS ARE MINIMUM 4 1/2"	110	1,933.00
P1130M	P1130 MATTE NICKEL	110	2,143.00
P1130N	P1130 POLISHED NICKEL	110	1,933.00
P1130S	P1130 SUPERCOAT BRASS	110	2,043.00
P1130Z	P1130 OIL RUBBED BRONZE	110	2,259.00
P1131C	CHROME THERMOSTATIC EXPOSED SHOWER SET W/HANDHELD SHOWER, 36" RISER, VARIABLE CTRS BATHROOM WALL MOUNT CTRS ARE MINIMUM 4 1/2"	110	2,362.00
P1131M	P1131 MATTE NICKEL	110	2,642.00
P1131N	P1131 POLISHED NICKEL	110	2,362.00
P1131S	P1131 SUPERCOAT BRASS	110	2,581.00
P1131Z	P1131 OIL RUBBED BRONZE	110	2,909.00
P1132C	CHROME THERMOSTATIC DECK MOUNT FAUCET-TUB FILLER ONLY W/ADJUSTABLE CTRS	58	1,575.00
P1132M	P1132 MATTE NICKEL	58	1,715.00
P1132N	P1132 POLISHED NICKEL	58	1,575.00
P1132S	P1132 SUPERCOAT BRASS	58	1,686.00
P1132Z	P1132 OIL RUBBED BRONZE	58	1,854.00
P1133C	CHROME THERMOSTATIC WALL MOUNT FAUCET-TUB FILLER ONLY W/7" CENTERS	66	1,495.00
P1133M	P1133 MATTE NICKEL	66	1,635.00
P1133N	P1133 POLISHED NICKEL	66	1,495.00
P1133S	P1133 SUPERCOAT BRASS	66	1,605.00
P1133Z	P1133 OIL RUBBED BRONZE	66	1,744.00
P1134C	CHROME WALL MT RISER BASE ASSEMBLY 1/2" IPS MALE CONNECTION TO THE WALL, 3/4" IPS MALE CONNECTION TO THE RISER	112	186.00
P1134M	P1134 MATTE NICKEL	112	221.00
P1134N	P1134 POLISHED NICKEL	112	186.00
P1134S	P1134 SUPERCOAT BRASS	112	186.00
P1134Z	P1134 OIL RUBBED BRONZE	112	221.00

Suggested Retail Price List Catalog No. 1901

P Items - P Items		P1135C - P1139N	
ITEM #	DESCRIPTION	PG	PRICE
P1135C	CHROME FREE STANDING SUPPLY SET W/SHUTOFFS, 1/2" IPS, 24" HIGH, 3" DIAMETER FLOOR PLATE, 12" WALL BRACE, 2" DIA WALL ESCUTCHEON	82	1,084.00
P1135M	P1135 MATTE NICKEL	82	1,193.00
P1135N	P1135 POLISHED NICKEL	82	1,084.00
P1135S	P1135 SUPERCOAT BRASS	82	1,084.00
P1135Z	P1135 OIL RUBBED BRONZE	82	1,193.00
P1135-28C	CHROME FREE STANDING SUPPLY SET W/SHUTOFFS, 1/2" IPS, 28" HIGH, 3" DIAMETER FLOOR PLATE, 12" WALL BRACE, 2" DIA WALL ESCUTCHEON	82	1,138.00
P1135-28M	P1135-28 MATTE NICKEL	82	1,253.00
P1135-28N	P1135-28 POLISHED NICKEL	82	1,138.00
P1135-28S	P1135-28 SUPERCOAT BRASS	82	1,138.00
P1135-28Z	P1135-28 OIL RUBBED BRONZE	82	1,253.00
P1136C	CHROME FAUCET AND OVER THE RIM SUPPLY SET KIT. INCLUDES BRITISH STLYE 7" CENTER FAUCET AND OUR P398 24" SUPPLIES	75	1,805.00
P1136M	P1136 MATTE NICKEL	75	2,021.00
P1136N	P1136 POLISHED NICKEL	75	1,805.00
P1136S	P1136 SUPERCOAT BRASS	75	1,982.00
P1136Z	P1136 OIL RUBBED BRONZE	75	2,071.00
P1136-28C	CHROME FAUCET AND OVER THE RIM SUPPLY SET KIT. INCLUDES BRITISH STLYE 7" CENTER FAUCET AND OUR P398 28" SUPPLIES	75	1,858.00
P1136-28M	P1136-28 MATTE NICKEL	75	2,139.00
P1136-28N	P1136-28 POLISHED NICKEL	75	1,858.00
P1136-28S	P1136-28 SUPERCOAT BRASS	75	2,035.00
P1136-28Z	P1136-28 OIL RUBBED BRONZE	75	2,131.00
P1137C	CHROME FAUCET AND OVER THE RIM SUPPLY SET KIT. INCLUDES HIGH ARCH SPOUT 7" CENTER FAUCET AND OUR P398 24" SUPPLIES	79	2,026.00
P1137M	P1137 MATTE NICKEL	79	2,240.00
P1137N	P1137 POLISHED NICKEL	79	2,026.00
P1137S	P1137 SUPERCOAT BRASS	79	2,205.00
P1137Z	P1137 OIL RUBBED BRONZE	79	2,311.00
P1137-28C	CHROME FAUCET AND OVER THE RIM SUPPLY SET KIT. INCLUDES HIGH ARCH SPOUT 7" CENTER FAUCET AND OUR P398 28" SUPPLIES	79	2,078.00
P1137-28M	P1137-28 MATTE NICKEL	79	2,283.00
P1137-28N	P1137-28 POLISHED NICKEL	79	2,078.00
P1137-28S	P1137-28 SUPERCOAT BRASS	79	2,258.00
P1137-28Z	P1137-28 OIL RUBBED BRONZE	79	2,371.00
P1138C	CHROME FAUCET AND OVER THE RIM SUPPLY SET KIT. INCLUDES THERMOSTATIC 7" CENTER FAUCET AND OUR P398 24" SUPPLIES. THE SPOUT ON THIS UNIT DROPS 5" BELOW THE CONNECTION	75	2,358.00
P1138M	P1138 MATTE NICKEL	75	2,498.00
P1138N	P1138 POLISHED NICKEL	75	2,358.00
P1138S	P1138 SUPERCOAT BRASS	75	2,477.00
P1138Z	P1138 OIL RUBBED BRONZE	75	2,692.00
P1138-28C	CHROME FAUCET AND OVER THE RIM TUB SUPPLY SET KIT. INCLUDES THERMOSTATIC 7" CENTER FAUCET AND OUR P398 28" SUPPLIES. THE SPOUT ON UNIT DROPS 5" BELOW THE CONNECTION	75	2,412.00
P1138-28M	P1138-28 MATTE NICKEL	75	2,552.00
P1138-28N	P1138-28 POLISHED NICKEL	75	2,412.00
P1138-28S	P1138-28 SUPERCOAT BRASS	75	2,529.00
P1138-28Z	P1138-28 OIL RUBBED BRONZE	75	2,752.00
P1139C	CHROME FAUCET & OVER THE RIM SUPPLY SET KIT. INCLUDES 7" CENTER DECO FAUCET W/ DECO LEVER HANDLES AND OUR P398 24" SUPPLIES	75	1,801.00
P1139M	P1139 MATTE NICKEL	75	1,992.00
P1139N	P1139 POLISHED NICKEL	75	1,801.00

P Items - P Items		P1139S - P1143-28C	
ITEM #	DESCRIPTION	PG	PRICE
P1139S	P1139 SUPERCOAT BRASS	75	1,978.00
P1139Z	P1139 OIL RUBBED BRONZE	75	2,175.00
P1139-28C	CHROME FAUCET & OVER THE RIM SUPPLY SET KIT. INCLUDES 7" CENTER DECO FAUCET W/ DECO LEVER HANDLES AND OUR P398 28" SUPPLIES	75	1,854.00
P1139-28M	P1139-28 MATTE NICKEL	75	2,035.00
P1139-28N	P1139-28 POLISHED NICKEL	75	1,854.00
P1139-28S	P1139-28 SUPERCOAT BRASS	75	2,031.00
P1139-28Z	P1139-28 OIL RUBBED BRONZE	75	2,235.00
P1140C	CHROME FAUCET & OVER THE RIM SUPPLY SET KIT. INC THERMOSTATIC 7" CENTER, FIXED ARCH SPOUT FAUCET, AND OUR P398 24" HIGH SUPPLIES	74	2,518.00
P1140M	P1140 MATTE NICKEL	74	2,658.00
P1140N	P1140 POLISHED NICKEL	74	2,518.00
P1140S	P1140 SUPERCOAT BRASS	74	2,629.00
P1140Z	P1140 OIL RUBBED BRONZE	74	2,860.00
P1140-28C	CHROME FAUCET & OVER THE RIM SUPPLY SET KIT. INC THERMOSTATIC 7" CENTER, FIXED ARCH SPOUT FAUCET, AND OUR P398 28" HIGH SUPPLIES	74	2,571.00
P1140-28M	P1140-28 MATTE NICKEL	74	2,711.00
P1140-28N	P1140-28 POLISHED NICKEL	74	2,571.00
P1140-28S	P1140-28 SUPERCOAT BRASS	74	2,682.00
P1140-28Z	P1140-28 OIL RUBBED BRONZE	74	2,920.00
P1141C	CHROME TRADITIONAL FAUCET & OVER THE RIM SUPPLY SET KIT INCLUDES TRADITIONAL STYLE SPOUT, LEVER HANDLES AND OUR P398 24" HIGH SUPPLIES. THE SPOUT ON THIS UNIT DROPS 5" FROM THE CONNECTION	75	1,878.00
P1141M	P1141 MATTE NICKEL	75	2,089.00
P1141N	P1141 POLISHED NICKEL	75	1,878.00
P1141S	P1141 SUPERCOAT BRASS	75	2,056.00
P1141Z	P1141 OIL RUBBED BRONZE	75	2,148.00
P1141-28C	CHROME TRADITIONAL FAUCET & OVER THE RIM SUPPLY SET KIT. INCLUDES TRADITIONAL STYLE SPOUT, LEVER HANDLES AND OUR P398 28" HIGH SUPPLIES. THE SPOUT ON THIS UNIT DROPS 5" FROM THE CONNECTION	75	1,931.00
P1141-28M	P1141-28 MATTE NICKEL	75	2,132.00
P1141-28N	P1141-28 POLISHED NICKEL	75	1,931.00
P1141-28S	P1141-28 SUPERCOAT BRASS	75	2,108.00
P1141-28Z	P1141-28 OIL RUBBED BRONZE	75	2,208.00
P1142C	CHROME FAUCET AND 24" OVER THE RIM SUPPLY SET KIT. INCLUDES ARCHED SPOUT FAUCET W/VARIABLE CTRS FROM 3 3/8" TO 9 3/8" & OUR P0398 24" SUPPLIES	76	1,927.00
P1142M	P1142 MATTE NICKEL	76	2,106.00
P1142N	P1142 POLISHED NICKEL	76	1,927.00
P1142S	P1142 SUPERCOAT BRASS	76	1,993.00
P1142Z	P1142 OIL RUBBED BRONZE	76	2,088.00
P1142-28C	CHROME FAUCET AND 24" OVER THE RIM SUPPLY SET KIT. INCLUDES ARCHED SPOUT FAUCET W/VARIABLE CTRS FROM 3 3/8" TO 9 3/8" & OUR P0398 28" SUPPLIES	76	1,980.00
P1142-28M	P1142-28 MATTE NICKEL	76	2,149.00
P1142-28N	P1142-28 POLISHED NICKEL	76	1,980.00
P1142-28S	P1142-28 SUPERCOAT BRASS	76	2,046.00
P1142-28Z	P1142-28 OIL RUBBED BRONZE	76	2,148.00
P1143C	CHROME FAUCET & OVER THE RIM SUPPLY SET KIT. INCLUDES 7" CENTER FAUCET & OUR P1135 24" HIGH SUPPLIES	77	1,742.00
P1143M	P1143 MATTE NICKEL	77	1,920.00
P1143N	P1143 POLISHED NICKEL	77	1,742.00
P1143S	P1143 SUPERCOAT BRASS	77	1,919.00
P1143Z	P1143 OIL RUBBED BRONZE	77	1,980.00
P1143-28C	CHROME FAUCET & OVER THE RIM SUPPLY SET KIT. INCLUDES 7" CENTER FAUCET & OUR P1135 28" HIGH SUPPLIES	77	1,798.00

Suggested Retail Price List Catalog No. 1901

P Items - P Items		P1143-28M – P1152Z	
ITEM #	DESCRIPTION	PG	PRICE
P1143-28M	P1143-28 MATTE NICKEL	77	1,963.00
P1143-28N	P1143-28 POLISHED NICKEL	77	1,798.00
P1143-28S	P1143-28 SUPERCOAT BRASS	77	1,973.00
P1143-28Z	P1143-28 OIL RUBBED BRONZE	77	2,040.00
P1144C	CHROME FAUCET & OVER THE RIM SUPPLY SET KIT. INCLUDES 7" CENTER FAUCET WITH TRADITIONAL SPOUT AND OUR P1135 24" HIGH SUPPLIES	77	1,758.00
P1144M	P1144 MATTE NICKEL	77	1,954.00
P1144N	P1144 POLISHED NICKEL	77	1,758.00
P1144S	P1144 SUPERCOAT BRASS	77	1,935.00
P1144Z	P1144 OIL RUBBED BRONZE	77	1,997.00
P1144-28C	CHROME FAUCET & OVER THE RIM SUPPLY SET KIT. INCLUDES 7" CENTER FAUCET WITH TRADITIONAL SPOUT AND OUR P1135 28" HIGH SUPPLIES	77	1,810.00
P1144-28M	P1144-28 MATTE NICKEL	77	1,997.00
P1144-28N	P1144-28 POLISHED NICKEL	77	1,810.00
P1144-28S	P1144-28 SUPERCOAT BRASS	77	1,987.00
P1144-28Z	P1144-28 OIL RUBBED BRONZE	77	2,057.00
P1146C	CHROME FAUCET & OVER THE RIM SUPPLY SET KIT. INCLUDES 7" CENTER DECO STYLE FAUCET AND OUR P1135 24" HIGH SUPPLIES	77	1,777.00
P1146M	P1146 MATTE NICKEL	77	1,955.00
P1146N	P1146 POLISHED NICKEL	77	1,777.00
P1146S	P1146 SUPERCOAT BRASS	77	1,954.00
P1146Z	P1146 OIL RUBBED BRONZE	77	2,007.00
P1146-28C	CHROME FAUCET & OVER THE RIM SUPPLY SET KIT. INCLUDES 7" CENTER DECO STYLE FAUCET AND OUR P1135 28" HIGH SUPPLIES	77	1,831.00
P1146-28M	P1146-28 MATTE NICKEL	77	1,998.00
P1146-28N	P1146-28 POLISHED NICKEL	77	1,831.00
P1146-28S	P1146-28 SUPERCOAT BRASS	77	2,008.00
P1146-28Z	P1146-28 OIL RUBBED BRONZE	77	2,067.00
P1147C	CHROME FAUCET & OVER THE RIM SET KIT. INCLUDES THERMOSTATIC 7" CENTER FIXED ARCH SPOUT FAUCET AND OUR P1135 24" HIGH SUPPLIES	77	2,458.00
P1147M	P1147 MATTE NICKEL	77	2,567.00
P1147N	P1147 POLISHED NICKEL	77	2,458.00
P1147S	P1147 SUPERCOAT BRASS	77	2,568.00
P1147Z	P1147 OIL RUBBED BRONZE	77	2,666.00
P1147-28C	CHROME FAUCET & OVER THE RIM SUPPLY SET KIT. INC THERMOSTATIC 7" CENTER FIXED ARCH SPOUT FAUCET AND OUR P1135 28" HIGH SUPPLIES	77	2,511.00
P1147-28M	P1147-28 MATTE NICKEL	77	2,620.00
P1147-28N	P1147-28 POLISHED NICKEL	77	2,511.00
P1147-28S	P1147-28 SUPERCOAT BRASS	77	2,622.00
P1147-28Z	P1147-28 OIL RUBBED BRONZE	77	2,727.00
P1148	SOLID BAMBOO RECTANGULAR SINK, NATURAL COLOR, 21" x 14" X 5"	119	622.00
P1149	SOLID BAMBOO VESSEL SINK, NATURAL COLOR, 21 1/2" x 13 7/8" X 3 1/2"	119	459.00
P1152	P1152 THE MEREDITH 66" ACRYLIC TUB, WITHOUT FAUCET HOLES. INCLUDES DRAIN, SPECIFY FINISH. INCLUDES NON-SLIP ADHESIVE STRIPS.		
P1152C	P1152 WITH CHROME DRAIN	5	4,620.00
P1152M	P1152 WITH MATTE NICKEL DRAIN	5	4,620.00
P1152N	P1152 WITH POLISHED NICKEL DRAIN	5	4,620.00
P1152S	P1152 WITH SUPERCOAT BRASS DRAIN	5	4,620.00
P1152Z	P1152 WITH OIL RUBBED BRONZE DRAIN	5	4,620.00

P Items – P Items		P1153 – P1158Z	
ITEM #	DESCRIPTION	PG	PRICE
P1153	P1153 THE MEREDITH BLACK AND WHITE 66" ACRYLIC TUB, WITHOUT FAUCET HOLES INCLUDES DRAIN, SPECIFY FINISH. INCLUDES NON-SLIP ADHESIVE STRIPS.		
P1153C	P1153 WITH CHROME DRAIN	4	4,760.00
P1153M	P1153 WITH MATTE NICKEL DRAIN	4	4,760.00
P1153N	P1153 WITH POLISHED NICKEL DRAIN	4	4,760.00
P1153S	P1153 WITH SUPERCOAT BRASS DRAIN	4	4,760.00
P1153Z	P1153 WITH OIL RUBBED BRONZE DRAIN	4	4,760.00
P1154	P1154 THE ELIZABETH 70" ACRYLIC TUB, WITHOUT FAUCET HOLES. INCLUDES DRAIN, SPECIFY FINISH. INCLUDES NON-SLIP ADHESIVE STRIPS.		
P1154C	P1154 WITH CHROME DRAIN	7	4,340.00
P1154M	P1154 WITH MATTE NICKEL DRAIN	7	4,340.00
P1154N	P1154 WITH POLISHED NICKEL DRAIN	7	4,340.00
P1154S	P1154 WITH SUPERCOAT BRASS DRAIN	7	4,340.00
P1154Z	P1154 WITH OIL RUBBED BRONZE DRAIN	7	4,340.00
P1155	P1155 THE JENNY 60" ACRYLIC TUB, WITHOUT FAUCET HOLES. LEDGE SIZE IS 4" INCLUDES DRAIN, SPECIFY FINISH. INCLUDES NON-SLIP ADHESIVE STRIPS.		
P1155C	P1155 WITH CHROME DRAIN	8	4,200.00
P1155M	P1155 WITH MATTE NICKEL DRAIN	8	4,200.00
P1155N	P1155 WITH POLISHED NICKEL DRAIN	8	4,200.00
P1155S	P1155 WITH SUPERCOAT BRASS DRAIN	8	4,200.00
P1155Z	P1155 WITH OIL RUBBED BRONZE DRAIN	8	4,200.00
P1156	P1156 THE ST. CLAIRE 60" ACRYLIC TUB, WITHOUT FAUCET HOLES. INC DRAIN, SPECIFY FINISH. INC NON-SLIP ADHESIVE STRIPS.		
P1156C	P1156 WITH CHROME DRAIN	7	4,200.00
P1156M	P1156 WITH MATTE NICKEL DRAIN	7	4,200.00
P1156N	P1156 WITH POLISHED NICKEL DRAIN	7	4,200.00
P1156S	P1156 WITH SUPERCOAT BRASS DRAIN	7	4,200.00
P1156Z	P1156 WITH OIL RUBBED BRONZE DRAIN	7	4,200.00
P1157	P1157 THE ARCADIA BLACK AND WHITE 5 1/2' ACRYLIC TUB ON LEGS WITH 7" CENTER DECK MOUNT FAUCET HOLES INCLUDES NON-SLIP ADHESIVE STRIPS.		
P1157C	P1157 WITH CHROME LEGS	17	4,760.00
P1157M	P1157 WITH MATTE NICKEL LEGS	17	4,760.00
P1157N	P1157 WITH POLISHED NICKEL LEGS	17	4,760.00
P1157S	P1157 WITH SUPERCOAT BRASS LEGS	17	4,760.00
P1157W	P1157 WITH WHITE LEGS	17	4,760.00
P1157Z	P1157 WITH OIL RUBBED BRONZE LEGS	17	4,760.00
P1158	P1158 THE ARCADIA BLACK AND WHITE 5 1/2' ACRYLIC TUB ON LEGS WITHOUT FAUCET HOLES. INC NON-SLIP ADHESIVE STRIPS.		
P1158C	P1158 WITH CHROME LEGS	17	4,760.00
P1158M	P1158 WITH MATTE NICKEL LEGS	17	4,760.00
P1158N	P1158 WITH POLISHED NICKEL LEGS	17	4,760.00
P1158S	P1158 WITH SUPERCOAT BRASS LEGS	17	4,760.00
P1158W	P1158 WITH WHITE LEGS	17	4,760.00
P1158Z	P1158 WITH OIL RUBBED BRONZE LEGS	17	4,760.00

Suggested Retail Price List Catalog No. 1901

P Items - P Items

P1159 – P1165

ITEM #	DESCRIPTION	PG	PRICE
P1159	P1159 THE SUMMIT BLACK AND WHITE 6' ACRYLIC DOUBLE ENDED SLIPPER TUB ON LEGS WITH 7" CENTER DECK MOUNTED FAUCET HOLES. INCLUDES DRAIN, SPECIFY FINISH. INCLUDES NON-SLIP ADHESIVE STRIPS.		
P1159G	P1159 WITH CHROME LEGS	15	5,390.00
P1159M	P1159 WITH MATTE NICKEL LEGS	15	5,390.00
P1159N	P1159 WITH POLISHED NICKEL LEGS	15	5,390.00
P1159S	P1159 WITH SUPERCOAT BRASS LEGS	15	5,390.00
P1159W	P1159 WITH WHITE LEGS	15	5,390.00
P1159Z	P1159 WITH OIL RUBBED BRONZE LEGS	15	5,390.00
P1160	P1160 THE SUMMIT BLACK AND WHITE 6' ACRYLIC DOUBLE ENDED SLIPPER TUB ON LEGS WITHOUT FAUCET HOLES. INCLUDES NON-SLIP ADHESIVE STRIPS.		
P1160G	P1160 WITH CHROME LEGS	15	5,390.00
P1160M	P1160 WITH MATTE NICKEL LEGS	15	5,390.00
P1160N	P1160 WITH POLISHED NICKEL LEGS	15	5,390.00
P1160S	P1160 WITH SUPERCOAT BRASS LEGS	15	5,390.00
P1160W	P1160 WITH WHITE LEGS	15	5,390.00
P1160Z	P1160 WITH OIL RUBBED BRONZE LEGS	15	5,390.00
P1161	P1161 THE ALPINE BLACK AND WHITE 6' ACRYLIC PEG LEG DOUBLE ENDED SLIPPER TUB WITH 7" CENTER DECK MOUNT FAUCET HOLES. INCLUDES NON-SLIP ADHESIVE STRIPS.		
P1161C	P1161 WITH CHROME LEGS	15	5,180.00
P1161M	P1161 WITH MATTE NICKEL LEGS	15	5,180.00
P1161N	P1161 WITH POLISHED NICKEL LEGS	15	5,180.00
P1161S	P1161 WITH SUPERCOAT BRASS LEGS	15	5,180.00
P1161W	P1161 WITH WHITE LEGS	15	5,180.00
P1161Z	P1161 WITH OIL RUBBED BRONZE LEGS	15	5,180.00
P1162	P1162 THE ALPINE BLACK AND WHITE 6' ACRYLIC PEG LEG DOUBLE ENDED SLIPPER TUB WITHOUT FAUCET HOLES INCLUDES NON-SLIP ADHESIVE STRIPS.		
P1162C	P1162 WITH CHROME LEGS	15	5,180.00
P1162M	P1162 WITH MATTE NICKEL LEGS	15	5,180.00
P1162N	P1162 WITH POLISHED NICKEL LEGS	15	5,180.00
P1162S	P1162 WITH SUPERCOAT BRASS LEGS	15	5,180.00
P1162W	P1162 WITH WHITE LEGS	15	5,180.00
P1162Z	P1162 WITH OIL RUBBED BRONZE LEGS	15	5,180.00
P1163	P1163 THE ECHO BLACK & WHITE 6' ACRYLIC DOUBLE ENDED SLIPPER TUB ON PEDESTAL WITH 7" CENTER DECK MOUNT FAUCET HOLES. INC NON-SLIP ADHESIVE STRIPS.	13	4,480.00
P1164	P1164 THE ECHO BLACK & WHITE 6' ACRYLIC DOUBLE ENDED SLIPPER TUB ON PEDESTAL WITHOUT FAUCET HOLES INCLUDES NON-SLIP ADHESIVE STRIPS.	13	4,480.00
P1165	P1165 THE CHAMPLAIN BLACK & WHITE 5 1/2' ACRYLIC DUAL TUB ON PEDESTAL WITH 7" CENTER DECK MOUNT FAUCET HOLES. INCLUDES NON-SLIP ADHESIVE STRIPS.	17	4,970.00

P Items – P Items

P1166 – P1174Z

ITEM #	DESCRIPTION	PG	PRICE
P1166	P1166 THE CHAMPLAIN BLACK & WHITE 5 1/2' ACRYLIC DUAL TUB ON PEDESTAL WITHOUT FAUCET HOLES. INCLUDES NON-SLIP ADHESIVE STRIPS.	17	4,970.00
P1167	P1167 THE MADRONE BLACK & WHITE 5' ACRYLIC SLIPPER PEDESTAL TUB WITH 7" CENTER RIM MOUNT FAUCET HOLES INCLUDES OUR ROLL RIM ADAPTERS, SPECIFY FINISH. INCLUDES NON-SLIP ADHESIVE STRIPS.	10	4,900.00
P1168	P1168 THE MADRONE BLACK & WHITE 5' ACRYLIC SLIPPER PEDESTAL TUB WITHOUT FAUCET HOLES. INCLUDES NON-SLIP ADHESIVE STRIPS.	10	4,760.00
P1169	OVAL SOLID SURFACE ACRYLIC MATTE WHITE VESSEL SINK. DOES NOT INCLUDE AN OVERFLOW. 23 1/2" X 13 3/4" X 5 1/2" DEEP	118	444.00
P1170	RECTANGULAR SOLID SURFACE ACRYLIC MATTE WHITE VESSEL SINK. DOES NOT INC AN OVERFLOW. 23 1/2" X 15 3/4" X 6" DEEP	118	525.00
P1171	RECTANGULAR SOLID SURFACE ACRYLIC MATTE GRAY DARK VESSEL SINK. DOES NOT INCLUDE AN OVERFLOW. 23 1/2" X 15 3/4" X 6" DEEP.	118	606.00
P1172	P1172 THE CHARLES 5' CAST IRON RECTANGULAR TUB ON DECO STYLE LEGS WITH 7" CENTER TO CENTER DECK MOUNT FAUCET HOLES. INC NON-SLIP ADHESIVE STRIPS.		
P1172C	P1172 WITH CHROME LEGS	19	5,180.00
P1172M	P1172 WITH MATTE LEGS	19	5,180.00
P1172N	P1172 WITH POLISHED NICKEL LEGS	19	5,180.00
P1172S	P1172 WITH SUPERCOAT BRASS LEGS	19	5,180.00
P1172W	P1172 WITH WHITE LEGS	19	4,200.00
P1172Z	P1172 WITH OIL RUBBED BRONZE LEGS	19	5,180.00
P1173	P1173 THE CHARLES 5' CAST IRON RECTANGULAR TUB ON DECO STYLE LEGS WITH NO FAUCET HOLES. INCLUDES NON-SLIP ADHESIVE STRIPS.		
P1173C	P1173 WITH CHROME LEGS	19	5,180.00
P1173M	P1173 WITH MATTE LEGS	19	5,180.00
P1173N	P1173 WITH POLISHED NICKEL LEGS	19	5,180.00
P1173S	P1173 WITH SUPERCOAT BRASS LEGS	19	5,180.00
P1173W	P1173 WITH WHITE LEGS	19	4,200.00
P1173Z	P1173 WITH OIL RUBBED BRONZE LEGS	19	5,180.00
P1174	P1174 THE LEWIS 5 1/2' CAST IRON RECTANGULAR TUB ON DECO STYLE LEGS WITH 7" CENTER TO CENTER DECK MOUNT FAUCET HOLES. INCLUDES NON-SLIP ADHESIVE STRIPS.		
P1174C	P1174 WITH CHROME LEGS	19	5,320.00
P1174M	P1174 WITH MATTE LEGS	19	5,320.00
P1174N	P1174 WITH POLISHED NICKEL LEGS	19	5,320.00
P1174S	P1174 WITH SUPERCOAT BRASS LEGS	19	5,320.00
P1174W	P1174 WITH WHITE LEGS	19	4,340.00
P1174Z	P1174 WITH OIL RUBBED BRONZE LEGS	19	5,320.00

Suggested Retail Price List Catalog No. 1901

P Items - P Items

P1175 – P1182

ITEM #	DESCRIPTION	PG	PRICE
P1175	P1175 THE LEWIS 5 1/2' CAST IRON RECTANGULAR TUB ON DECO STYLE LEGS WITH NO FAUCET HOLES. INCLUDES NON-SLIP ADHESIVE STRIPS.		
P1175C	P1175 WITH CHROME LEGS	19	5,320.00
P1175M	P1175 WITH MATTE LEGS	19	5,320.00
P1175N	P1175 WITH POLISHED NICKEL LEGS	19	5,320.00
P1175S	P1175 WITH SUPERCOAT BRASS LEGS	19	5,320.00
P1175W	P1175 WITH WHITE LEGS	19	4,340.00
P1175Z	P1175 WITH OIL RUBBED BRONZE LEGS	19	5,320.00
P1176	P1176 THE CONSTANCE 5 1/2' CAST IRON EUROPEAN STYLE DOUBLE ENDED SLIPPER TUB ON PEDESTAL WITHOUT FAUCET HOLES. INCLUDES NON-SLIP ADHESIVE STRIPS.	22	4,970.00
P1177	P1177 THE CLAIBORNE CAST IRON SINGLE FARMHOUSE SINK ONLY. USE STANDARD 3 1/2" DRAIN.	129	2,660.00
P1178	FIRECLAY OVAL SEMI DROP-IN LAVATORY SINK, GLOSS WHITE, 18" X 12 1/4" X 5 1/2", BOWL DEPTH 4 1/2"	120	482.00
P1179	FIRECLAY ROUND SEMI DROP-IN LAVATORY SINK, GLOSS WHITE, 16" X 3", BOWL DEPTH 5"	120	373.00
P1180	FIRECLAY SQUARE SEMI DROP-IN LAVATORY SINK, GLOSS WHITE, 16" X 16" X 3", BOWL DEPTH 5"	121	462.00
P1181	FIRECLAY RECTANGULAR SEMI DROP-IN LAVATORY SINK, GLOSS WHITE, 20" X 14" X 3", BOWL DEPTH 5"	121	515.00
P1182	BAMBOO TUB SHELF, OVERALL DIMENSION 29 1/2" X 8" X 3", INSIDE SHELF DIMENSION IS 21 5/8" X 6" X 2 1/2"	125	237.00

CAST IRON - TRADITIONAL									
ITEM #	OVERALL LENGTH	OVERALL WIDTH	OVERALL HEIGHT	FAUCET HOLES CENTER TO CENTER	BOTTOM OF TUB TO FLOOR	OVERFLOW HEIGHT TO BOTTOM OF TUB	SEAT AREA	WATER VOLUME GALLON	UNCRATED / CRATED WEIGHT - LBS
P0700	60.5"	30.5"	24"	3 3/8"	5.3"	12.5"	37" x 17"	36	352 / 485
P0731	48.5"	30.5"	22"	3 3/8"	4.7"	12.5"	27" x 15"	23	220 / 383
P0880	60.5"	30.5"	24"	N/A	5.3"	15.5"	37" x 17"	41	352 / 485
P0885	60.5"	30.5"	24"	7"	5.3"	15.5"	37" x 17"	41	352 / 485

CAST IRON - SLIPPER									
ITEM #	OVERALL LENGTH	OVERALL WIDTH	OVERALL HEIGHT	FAUCET HOLES CENTER TO CENTER	BOTTOM OF TUB TO FLOOR	OVERFLOW HEIGHT TO BOTTOM OF TUB	SEAT AREA	WATER VOLUME GALLON	UNCRATED / CRATED WEIGHT - LBS
P0704	66.5"	30"	23" x 29"*	7"	6.3"	14.5"	41" x 17"	48	394 / 540
P0705	66.5"	30"	23" x 29"*	N/A	6.3"	14.5"	41" x 17"	48	394 / 540
P0760	61"	31"	25" x 32.3"*	7"	5.3"	15.5"	38" x 15"	39	374 / 515
P0762	61"	31"	25" x 32.3"*	N/A	5.3"	15.5"	38" x 15"	39	374 / 515

* LOW SIDE / HIGH SIDE

CAST IRON - DOUBLE ENDED SLIPPER									
ITEM #	OVERALL LENGTH	OVERALL WIDTH	OVERALL HEIGHT	FAUCET HOLES CENTER TO CENTER	BOTTOM OF TUB TO FLOOR	OVERFLOW HEIGHT TO BOTTOM OF TUB	SEAT AREA	WATER VOLUME GALLON	UNCRATED / CRATED WEIGHT - LBS
P0767	72"	31.5"	29.5" / 21.5"	7"	5.3"	13.7"	34" x 15"	68	418 / 624
P0770	72"	31.5"	29.5" / 21.5"	N/A	5.3"	13.7"	34" x 15"	68	462 / 624
P0784	72"	31.5"	29.5" / 21.5"	7"	5.3"	13.7"	34" x 15"	68	418 / 624
P0785	72"	31.5"	29.5" / 21.5"	N/A	5.3"	13.7"	34" x 15"	68	462 / 624
P0883/P0883B	72"	31.5"	30" / 21.5"	7"	7.5"	12.5"	34" x 15"	68	506 / 640
P0884/P0884B	72"	31.5"	30" / 21.5"	N/A	7.5"	12.5"	34" x 15"	68	506 / 640
P1176	66"	28 1/2"	29" / 26"	N/A	5"	16 1/2"	44" x 16"	72	396 / 496

CAST IRON - DUAL ENDED									
ITEM #	OVERALL LENGTH	OVERALL WIDTH	OVERALL HEIGHT	FAUCET HOLES CENTER TO CENTER	BOTTOM OF TUB TO FLOOR	OVERFLOW HEIGHT TO BOTTOM OF TUB	SEAT AREA	WATER VOLUME GALLON	UNCRATED / CRATED WEIGHT - LBS
P0765	66.5"	30.5"	24"	7"	6"	15.5"	45" x 17"	50	374 / 529
P0768	66.5"	30.5"	24"	N/A	6"	15.5"	45" x 17"	50	374 / 529
P0766	66.5"	30.5"	24"	7"	7.25"	17.25"	45" x 17"	50	475 / 635
P0769	66.5"	30.5"	24"	N/A	7.25"	17.25"	45" x 17"	50	466 / 635
P0777	61.5"	30.5"	24.5"	7"	7.25"	17.25"	41" x 17"	45	462 / 577
P0778	61.5"	30.5"	24.5"	N/A	7.25"	17.25"	41" x 17"	45	462 / 577
P0881	61.5"	30.5"	24"	7"	6"	15.5"	41" x 17"	45	352 / 520
P0882	61.5"	30.5"	24"	N/A	6"	15.5"	41" x 17"	45	352 / 520
P1114	61"	30.5"	24"	7"	6"	15.5"	41" x 17"	45	352 / 520
P1115	61"	30.5"	24"	N/A	6"	15.5"	41" x 17"	45	352 / 520
P1116	66.5"	30.5"	24"	7"	6"	15.5"	45" x 17"	50	374 / 529
P1117	66.5"	30.5"	24"	N/A	6"	15.5"	45" x 17"	50	374 / 529

CAST IRON - RECTANGULAR									
ITEM #	OVERALL LENGTH	OVERALL WIDTH	HEIGHT	FAUCET HOLES CENTER TO CENTER	BOTTOM OF TUB TO FLOOR	OVERFLOW HEIGHT TO BOTTOM OF TUB	SEAT AREA	WATER VOLUME GALLON	UNCRATED / CRATED WEIGHT - LBS
P1172	60"	31"	23 3/4"	7"	6"	14 1/2"	43" x 18'	50	404 / 515
P1173	60"	31"	23 3/4"	N/A	6"	14 1/2"	43" x 18'	50	404 / 515
P1174	66"	31"	23 3/4"	7"	6"	14 1/2"	49" x 18'	55	437 / 559
P1175	66"	31"	23 3/4"	N/A	6"	14 1/2"	49" x 18'	55	437 / 559

WE DO NOT SHIP TUBS OR SINKS TO ALASKA OR HAWAII

CAST IRON - SHOWER PAN						
ITEM #	OVERALL LENGTH	OVERALL WIDTH	OVERALL HEIGHT	STANDING AREA	BOTTOM OF PAN TO FLOOR	UNCRATED / CRATED WEIGHT - LBS
P0774	42"	42"	12.5"	35" x 35"	6"	220 / 336

CAST IRON - FARM HOUSE SINK							
ITEM #	OVERALL LENGTH	OVERALL DEPTH	HEIGHT-TOP TO BOTTOM OF APRON	INTERIOR SINK SIZE	P0814 SINK COUNTER HEIGHT WITH LEGS	FAUCET HOLES CENTER TO CENTER	UNCRATED / CRATED WEIGHT - LBS
P0812	60.25"	21"	18"	24" x 16"	N/A	8"	336 / 418
P0813	29" x 35"	N/A	N/A	N/A	N/A	N/A	58
P0814	60.25"	21"	18"	24" x 16"	30" to 36"	8"	389 / 476
P1118	42"	21"	16.14"	19.25" X 16"	N/A	8"	154 / 234
P1177	25"	20 7/8"	16"	20 1/2" x 16"	N/A	8"	110 / 143

ACRYLIC - DUAL									
ITEM #	OVERALL LENGTH	OVERALL WIDTH	OVERALL HEIGHT	FAUCET HOLES CENTER TO CENTER	BOTTOM OF TUB TO FLOOR	OVERFLOW HEIGHT TO BOTTOM OF TUB	SEAT AREA	WATER VOLUME GALLON	UNCRATED / CRATED WEIGHT - LBS
P0772	75"	34.5"	24"	7"	6"	14 3/4"	53" x 19"	50	134/239
P0773	75"	34.5"	24"	N/A	6"	14 3/4"	53" x 19"	50	134/239
P0775	60"	34.5"	24"	7"	6"	14 3/4"	39" x 19"	38	110/202
P0776	60"	34.5"	24"	N/A	6"	14 3/4"	39" x 19"	38	110/202
P0948	66"	31"	24"	7"	5.25"	14 3/4"	43" x 15"	48	119/216
P0949	66"	31"	24"	N/A	5.25"	14 3/4"	43" x 15"	48	119/216
P1109	66.1"	30.7"	23.6"	7"	5.9"	14.2"	45" x 17"	47.3"	100 / 175
P1110	66.1"	30.7"	23.6"	N/A	5.9"	14.2"	45" x 17"	47.3"	100 / 175
P1113	66.1"	28.4"	26"	N/A	7.5"	N/A	48" x 18"	N/A	83 / 158
P1157	66"	31"	24"	7"	5.25"	14 3/4"	43" x 15"	48	119/216
P1158	66"	31"	24"	N/A	5.25"	14 3/4"	43" x 15"	48	119/216
P1165	66.1"	30.7"	23.6"	7"	5.9"	14.2"	45" x 17"	47.3"	100 / 175
P1166	66.1"	30.7"	23.6"	N/A	5.9"	14.2"	45" x 17"	47.3"	100 / 175

ACRYLIC - SLIPPER									
ITEM #	OVERALL LENGTH	OVERALL WIDTH	OVERALL HEIGHT	FAUCET HOLES CENTER TO CENTER	BOTTOM OF TUB TO FLOOR	OVERFLOW HEIGHT TO BOTTOM OF TUB	SEAT AREA	WATER VOLUME GALLON	UNCRATED / CRATED WEIGHT - LBS
P0951	67"	30"	23.25" / 28.75"*	7"	5.25"	14 1/2"	45" x 18"	41	104/205
P0952	67"	30"	23.25" / 28.75"*	N/A	5.25"	14 1/2"	45" x 18"	41	104/205
P0956	60"	32"	25" / 33.5"*	7"	5.5"	15 3/4"	38" x 16"	42	121/226
P0957	60"	32"	23 3/4" / 33.5"*	N/A	5.5"	15 3/4"	38" x 16"	42	121/226
P0964	60"	32"	23 3/4" / 33.5"*	7"	5.5"	15 3/4"	38" x 16"	42	121/226
P0965	60"	32"	23 3/4" / 33.5"*	N/A	5.5"	15 3/4"	38" x 16"	42	121/226
P1111	60.6"	32.3"	22.8"/31.9"*	7"	5.7"	13.2"	40" X 19"	43	96 / 171
P1112	60.6"	32.3"	22.8"/31.9"*	N/A	5.7"	13.2"	40" X 19"	43	96 / 171
P1167	60.6"	32.3"	22.8"/31.9"*	7"	5.7"	13.2"	40" X 19"	43	96 / 171
P1168	60.6"	32.3"	22.8"/31.9"*	N/A	5.7"	13.2"	40" X 19"	43	96 / 171

* LOW SIDE / HIGH SIDE

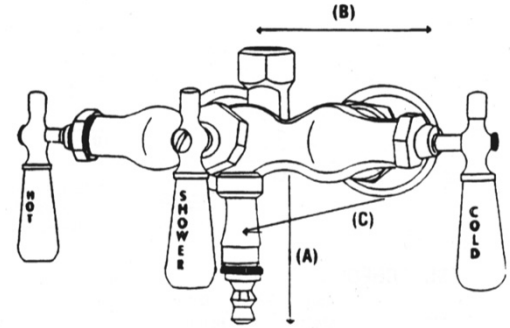
WE DO NOT SHIP TUBS OR SINKS TO ALASKA OR HAWAII

ACRYLIC - DOUBLE ENDED SLIPPER									
ITEM #	OVERALL LENGTH	OVERALL WIDTH	OVERALL HEIGHT	FAUCET HOLES CENTER TO CENTER	BOTTOM OF TUB TO FLOOR	OVERFLOW HEIGHT TO BOTTOM OF TUB	SEAT AREA	WATER VOLUME GALLON	UNCRATED / CRATED WEIGHT - LBS
P0993	72"	31.5"	29.5" / 25"	7"	5.3"	13.7"	34" x 15"	68	226/388
P0994	72"	31.5"	29.5" / 25"	N/A	5.3"	13.7"	34" x 15"	68	226/388
P0995	72"	31.5"	29.5" / 25"	7"	5.3"	13.7"	34" x 15"	68	218/380
P0996	72"	31.5"	29.5" / 25"	N/A	5.3"	13.7"	34" x 15"	68	218/380
P0997	72"	31.5"	30" / 23.5"	7"	7.5"	12.5"	34" x 15"	68	216/378
P0998	72"	31.5"	30" / 23.5"	N/A	7.5"	12.5"	34" x 15"	68	216/378
P1159	72"	31.5"	29.5" / 25"	7"	5.3"	13.7"	34" x 15"	68	226/388
P1160	72"	31.5"	29.5" / 25"	N/A	5.3"	13.7"	34" x 15"	68	226/388
P1161	72"	31.5"	29.5" / 25"	7"	5.3"	13.7"	34" x 15"	68	218/380
P1162	72"	31.5"	29.5" / 25"	N/A	5.3"	13.7"	34" x 15"	68	218/380
P1163	72"	31.5"	30" / 23.5"	7"	7.5"	12.5"	34" x 15"	68	216/378
P1164	72"	31.5"	30" / 23.5"	N/A	7.5"	12.5"	34" x 15"	68	216/378

ACRYLIC - SOAKER									
ITEM #	OVERALL LENGTH	OVERALL WIDTH	OVERALL HEIGHT	FAUCET HOLES CENTER TO CENTER	BOTTOM OF TUB TO FLOOR	OVERFLOW HEIGHT TO BOTTOM OF TUB	SEAT AREA	WATER VOLUME GALLON	UNCRATED / CRATED WEIGHT - LBS
P0879	70"	34"	28.5"	N/A	3.5"	13 1/4"	43" x 17"	62	139/253
P0945	70"	34"	25"	N/A	N/A	13 1/4"	43" x 17"	62	139/253
P1036	65"	30 3/4"	20 1/2" / 26 1/4"*	N/A	N/A	11 1/2"	37" x 19"	31	90/200
P1106	71"	33 1/4"	23	N/A	N/A	15"	48" x 27"	68	113/213
P1108	66.1"	31.5"	24"/31.9"*	N/A	5.1"	15"	45" x 21"	63	81 / 156
P1152	66"	30 3/4"	23"	N/A	N/A	15"	47" x 19"	58	81 1/2 / 147
P1153	66"	30 3/4"	23"	N/A	N/A	15"	47" x 19"	58	81 1/2 / 147
P1154	70"	30"	23"	N/A	N/A	15 1/4"	48 1/2" x 20"	60	92 1/2 / 158
P1155	60"	29"	20 7/8"	N/A	N/A	13 1/2"	44" x 19"	55	66 / 132
P1156	60"	28 1/2"	21"	N/A	N/A	14"	45 1/2" x 19 1/2"	55	79 / 145

* LOW SIDE / HIGH SIDE

LEG TUB FAUCETS			
<u>ITEM #</u>	<u>Spout Length / Height</u>	<u>Center to Center</u>	<u>Wall to Spout extension</u>
P0006	3 1/2"	3 3/8"	3 1/4"
P0126	9 3/4"	3 3/8"	5 3/8"
P0146*	4 1/2"	3 3/8" - 12"*	7"
P0149-1	9 3/4"	3 3/8"	8"
P0400/P0402	9 3/4"	3 3/8"	8"
P0708	9 3/4"	3 3/8"	8"
P0793	9 3/4"	3 3/8"	8"
P0804	9 3/4"	3 3/8" - 9"	8"
P0889	5"	3 3/8" - 12"	7 1/2"
P1003	5"	3 3/8" - 12"	8"
P1004	7 1/2"	3 3/8"	11"
P1014	4 1/2"	3 3/8" - 12"	7"
P1017	8"	3 3/8" - 12"	10 1/2"
P1018	8"	3 3/8" - 12"	10 1/2"
P1026	9 3/4"	3 3/8"	8"
P1053	8"	3 3/8"	11"
P1067	10 1/2"	3 3/8" - 12"	9"



*minimum centers is 4 1/2" when mounting on a "bathroom wall" AND/OR any faucet that has P0166 swing arms added for wall mount installation.

DECK MOUNT FAUCETS

Maximum deck thickness is 1 1/8"

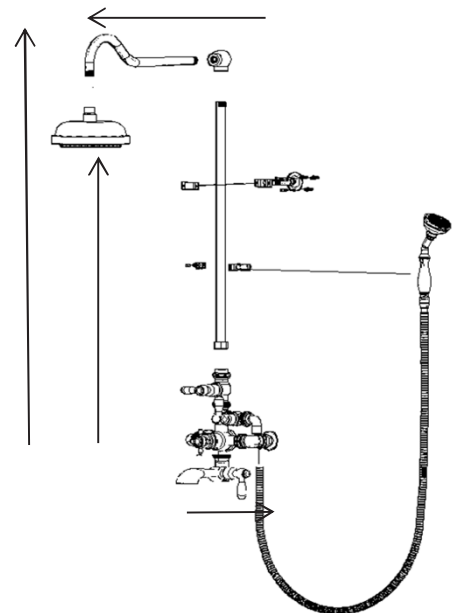
<u>ITEM #</u>	<u>Spout Extension</u>	<u>Total Height</u>	<u>Spout Clearance</u>	<u>Base Diameter</u>	<u>Center to Center</u>
P0341	7"	10"	2" BELOW DECK	2 1/8"	7"
P0462	7"	14"	2"	2 1/8"	7"
P0625	9"	ADJ.	ADJ.	2 1/8"	3 3/8" - 9"
P0626	8"	ADJ.	ADJ.	2 1/8"	3 3/8" - 12"
P0627	8"	ADJ.	ADJ.	2 1/8"	3 3/8" - 12"
P0684	9"	ADJ.	ADJ.	2 1/8"	3 3/8" - 9"
P0712	5"	ADJ.	ADJ.	2 1/8"	3 3/8" - 9"
P0795	9"	15"	6"	2 1/8"	3" - 12"
P0802	7"	8"	2 1/2"	2 1/8"	7"
P0803	5"	11"	6"	2 1/8"	3" - 12"
P0891	5 1/2"	15"	1 3/4"	2 1/8"	7"
P0969	7 1/2"	16"	3"	2 1/8"	7"
P1002	8"	13 1/2"	4 1/4"	2 1/8"	7"
P1009	7"	14"	2"	2 1/8"	7"
P1013	7"	14"	2"	2 1/8"	7"
P1015	8"	13"	10"	2 1/8"	7"
P1054	12"	variable	N/A	2 1/8"	variable
P1068	8"	17"	N/A	2 1/8"	7"
P1073	8 1/2"	15"	4 3/4"	2 1/8"	7"
P1074	8 1/4"	14"	1/2"	2 1/8"	3" - 12"
P1075	8 1/4"	8"	1/2"	2 1/8"	7"
P1076	6"	13 1/2"	2 3/4"	2 1/8"	7"
P1077	7"	8"	2 1/2"	2 1/8"	7"
P1132	5"	8 1/2"	3 3/4"	2 1/8"	7"

WALL MOUNT FAUCETS				
ITEM #	Extension from wall to Spout	Body center to center	Total height from Inlet	Spout Drop from Inlet
P0655	11 1/2"	3 3/8"	9 3/4"	N/A
P0790	10"	7"	7"	4 1/2"
P0894	10 1/2"	7"	15"	4 1/2"
P0905	12"	7"	10"	1/2"
P0944	10"	7"	7"	4 1/2"
P0916	11"	N/A	N/A	1"
P0970	13"	7"	11"	1"
P1001	10"	7"	8 1/4"	5"
P1016	11 1/2"	7"	10 1/2"	N/A
P1027	10"	7"	7"	4 1/2"
P1037	11 1/2"	3 3/8"	9 3/4"	N/A
P1055	11"	3 3/8"	8"	N/A
P1078	10"	7"	3"	4 1/2"
P1079	11 1/2"	7"	7"	5 1/2"
P1080	12 1/2"	7"	10"	1/2"
P1124	13"	7"	8"	N/A
P1125	11 1/2"	7"	2"	5 1/2"
P1126	11"	7"	2"	5"
P1127	12 1/2"	7"	3"	1 1/2"
P1128	13"	7"	3"	1/2"
P1133	10 1/2"	7"	1 1/2"	4 1/2"

****SPOUT DROP IS 4 1/2"**

******The minimum center to center is 4 1/2" when mounting on a "bathroom wall" AND/OR any faucet that has P0166 swing arms added for wall mount installation.**

WALL MOUNT SHOWERS				
ITEM #	Extension from wall to Spout or Head	Body center to center	Total height from Inlet	Bottom of Head or spout to Inlet
P0678	19"	3 3/8"	44"	36"
P0713	19"	3 3/8"	44"	36"
P0901	19"	7"	45"	37"
P0902	19"	7"	48"	40"
P0903**	Spout 8 1/2" / Head 19"	7"	45"	40"
P0907	10"	7"	69"	58"
P0946**	Spout 8 1/2" / Head 19"	7"	48"	40"
P0963**	Spout 8 1/2" / Head 19"	7"	64.5"	56 1/2"
P1021	11 1/2"	3 3/8"	65"	57 1/2"
P1022	12"	7"	42"	35"
P1049	Spout 8 1/2" / Head 15"	7"	64.5"	56 1/2"
P1085	19"	7"	46"	38"
P1087	17"	7"	41"	28"
P1088	17"	7"	43"	30"
P1089**	17"	7"	41"	29"
P1090	17"	7"	43"	30"
P1091	17"	8"	38"	25"
P1092	17"	7"	38"	25"
P1093	17"	7"	38"	25"
P1094	12"	7"	44 1/2"	39"
P1095	21"	7"	42"	32"
P1096	12"	7"	40"	35"
P1123	21"	7"	42"	32"
P1130****	19"	variable	42" - 48"	34" - 40"
P1131****	19"	variable	43" - 49"	35" - 41"



OVER THE RIM FAUCET/SUPPLY SETS					
ITEM #	Spout Extension	Center to Center	Supply Only Height	Total Height	Spout Drop
P0972	10 1/2"	3 3/8"	24"	34"	N/A
P0972-28	10 1/2"	3 3/8"	28"	38"	N/A
P0973	10 1/2"	7"	24"	33"	4 1/2"
P0973-28	10 1/2"	7"	28"	37"	4 1/2"
P0974	11"	7"	24"	35"	4 1/2"
P0974-28	11"	7"	28"	39"	4 1/2"
P0975	10 1/2"	7"	24"	33"	4 1/2"
P0975-28	10 1/2"	7"	28"	37"	4 1/2"
P1000	11"	7"	24"	33"	5"
P1000-28	11"	7"	28"	37"	5"
P1019-28	13"	7"	28"	94"	N/A
P1020-28	10 1/2"	3 3/8"	28"	94"	N/A
P1023	13"	7"	24"	35"	1 1/2"
P1023-28	13"	7"	28"	39"	1 1/2"
P1024	12"	7"	24"	34"	N/A
P1024-28	12"	7"	28"	38"	N/A
P1025	10 1/2"	7"	24"	33"	4 1/2"
P1025-28	10 1/2"	7"	28"	37"	4 1/2"
P1025-30	10 1/2"	7"	30"	39"	4 1/2"
P1032	14"	7"	24"	35"	N/A
P1032-28	14"	7"	28"	39"	N/A
P1056	13"	3 3/8"	24"	33"	N/A
P1056-28	13"	3 3/8"	28"	37"	N/A
P1069	14"	7"	24"	38"	N/A
P1069-28	14"	7"	28"	42"	N/A
P1081	11"	7"	24"	33"	5"
P1081-28	11"	7"	28"	37"	5"
P1082	11 1/2"	7"	24"	33"	5 1/2"
P1082-28	11 1/2"	7"	28"	37"	5 1/2"
P1083	11 1/2"	7"	24"	33"	5 1/2"
P1083-28	11 1/2"	7"	28"	37"	5 1/2"
P1129	12"	adjustable	24"	34 - 37"	N/A
P1129-28	12"	adjustable	28"	38 - 41"	N/A
P1136	11"	7"	24"	26"	4 1/2"
P1136-28	11"	7"	28"	30"	4 1/2"
P1137	15"	7"	24"	32 1/2"	N/A
P1137-28	15"	7"	28"	36 1/2"	N/A
P1138	12"	7"	24"	25"	5"
P1138-28	12"	7"	28"	29"	5"
P1139	11"	7"	24"	26"	4"
P1139-28	11"	7"	28"	30"	4"
P1140	15"	7"	24"	31"	N/A
P1140-28	15"	7"	28"	35"	N/A
P1141	12"	7"	24"	26"	5 1/2"
P1141-28	12"	7"	28"	30"	5 1/2"
P1142	17.5"	adjustable	24"	35" **	N/A
P1142-28	17.5"	adjustable	28"	39" **	N/A

** as shown

** as shown

OVER THE RIM FAUCET/SUPPLY SETS ON STRAIGHT SUPPLY LINES						
ITEM #	Spout Extension	Centers	Supply Only Height	Total Height	Spout Drop	Spout Height From Floor
P1143	7"	7"	24"	29 1/2"	1 1/2"	22 1/2"
P1143-28	7"	7"	28"	33 1/2"	1 1/2"	26 1/2"
P1144	6.5"	7"	24"	29 1/2"	3"	21"
P1144-28	6.5"	7"	28"	33 1/2"	3"	25"
P1146	7"	7"	24"	29"	1 1/2"	22 1/2"
P1146-28	7"	7"	28"	33"	1 1/2"	26 1/2"
P1147	8"	7"	24"	32"	N/A	29"
P1147-28	8"	7"	28"	36"	N/A	33"

WIDESPREAD LAVATORY FAUCETS

Minimum hole size for installation is 1 1/4". Maximum counter thickness is 1 1/2"

MISSISSIPPI SERIES	Spout Extension	Spout Height	Spout Base	Esc Diameter	Escutcheon Height	Handle Length
P0152	5 1/2"	3 1/2"	2 1/2"	2 7/8"	1 7/8"	3 1/4"
P0805	5 1/2"	3 1/2"	2 1/2"	2 7/8"	1 7/8"	2 1/16"
P0981	5 1/2"	3 1/2"	2 1/2"	2 7/8"	1 7/8"	3"

RIO GRANDE SERIES	Spout Extension	Spout Height	Spout Base	Esc Diameter	Escutcheon Height	Handle Length
P0588	7 1/2"	6 1/2"	2 1/4"	2 1/2"	1 3/4"	3"
P0888	7 1/2"	6 1/2"	2 1/4"	2 1/2"	1 3/4"	3 1/8"
P1033	7 1/2"	6 1/2"	2 1/4"	2 1/2"	1 3/4"	3 1/4"

SACRAMENTO SERIES	Spout Extension	Spout Height	Spout Base	Esc Diameter	Escutcheon Height	Handle Length
P0104**	5"	4 7/8"	2" / 2 1/2"	2 1/4"	1 1/2"	4"
P0140**	5"	4 7/8"	2" / 2 1/2"	2 1/4"	1 1/2"	3 1/4"
P0188	5"	4 7/8"	2" / 2 1/2"	2 7/8"	1 3/4"	3 1/4"
P0188X	5"	4 7/8"	2" / 2 1/2"	2 7/8"	1 3/4"	3 1/4"
P0820**	5"	4 7/8"	2" / 2 1/2"	2 7/8"	1 3/4"	3 1/4"

ST. LAWRENCE SERIES	Spout Extension	Spout Height	Spout Base	Esc Diameter	Escutcheon Height	Handle Length
P0345	4 1/2"	4 1/2"	2 3/4"	2 3/4"	2"	3 1/4"
P0346	4 1/2"	4 1/2"	2 3/4"	2 3/4"	2"	2 7/8"
P0347	4 1/2"	4 1/2"	2 3/4"	2 3/4"	2"	2 1/2"
P1008	4"	12"	2 3/8"	2 3/4"	2"	4"

THAMES SERIES	Spout Extension	Spout Height	Spout Base	Esc Diameter	Escutcheon Height	Handle Length
P0376	5 1/2"	4"	2 3/4"	2 1/2"	1 3/4"	3 1/4"
P0377	5 1/2"	4"	2 3/4"	2 1/2"	1 3/4"	3 1/2"
P0378	5 1/2"	4"	2 3/4"	2 1/2"	1 3/4"	3 1/8"
P0821	5 1/2"	4"	2 3/4"	2 1/2"	1 3/4"	3"

**Includes 7/8" spout ring

ESCUTCHEONS

ITEM #	Diameter	Height
P0099	2 7/8"	1 7/8"
P0383	3 3/8"	2"
P0384	2 7/8"	1 3/4"
P0386	2 1/4"	1 1/2"
P0387	2 1/4"	1 1/2"
P0388	2 7/8"	1 3/4"
P0391	2 1/2"	1 3/4"
P0458	2 3/4"	1 3/4"
P0478	2 3/4"	2"
P0481	2 1/2"	1 3/4"
PP0259	2 1/4"	1 1/4"

HANDLES

3/8" ID, 16 splines

ITEM #	Stem to End
P0202	3 1/8"
P0204	4"
P0206	2 3/4"
P0207	3 1/2"
P0208	3 1/2"
P0212	2 1/2"
P0214	3 1/2"
P0215	3 1/2"
P0217	3 1/4"
P0219	3 1/4"
P0220	2 1/4"

ITEM #	Stem to End
P0475	3"
P0476	2 1/2"
P0551	2"
P0552	2"
P0622	4"
P0725	3 3/16"
P0782	2 1/16"
P0815	3"
P0980	3"
P0999	3 1/2"

TUB SPOUTS

ADAPT TO 3/4" IPS (except P1044)

MINIMUM OF 1 1/2" OF THREADS OUT OF WALL FOR INSTALLATION.

ITEM #	Length	Base Diameter
P0079	5 3/4"	3"
P0080	5 3/4"	2 7/8"
P1044**	10 1/2"	2 3/8"

**Connection is 1/2" IPS

ANTIQU REPRODUCTIONS

Minimum hole size for installation is 1", maximum counter thickness 1 1/4"

ITEM #	Spout Extension	Height	Base Diameter
P0012	4"	4 1/2"	1 7/8"
P0013	5 3/4"	6"	2 1/4"
P0058	5"	4"	2 3/8"
P0549-8	5"	5 1/2"	2 7/8"
P0549-12	5"	5 1/2"	2 7/8"
P0550-8	5"	8 1/2"	2 7/8"
P0550-12	5"	8 1/2"	2 7/8"
P0557-8	5"	8 1/2"	2 7/8"
P0557-12	5"	8 1/2"	2 7/8"
P0558-8	5"	8 1/2"	2 7/8"
P0558-12	5"	8 1/2"	2 7/8"
P0565-8	5"	5"	2 7/8"
P0565-12	5"	5"	2 7/8"
P0587	4"	4 1/2"	1 7/8"
P0598	4"	4 1/2"	1 7/8"
P0629	5"	8 1/2"	2 1/8"
P0630	5"	5 1/2"	2 1/8"
P0819	8"	8"	2 1/8"
P0822	8"	8"	2 1/8"
P1005	7 1/2"	11 1/2"	2 7/8"
P1006	5" / 3***	11 1/4"	2 1/4"
P1007	5"	12"	2 7/8"
P1007-10	5"	12"	2 7/8"

**AS PICTURED - 5" from center ball forward to spout and 3" from inlet as pictured to spout.

FLOW RATES

Approximate GPM, tested at 60 PSI

Faucet	Flow Rate
P0006	7
P0012	2.2
P0013	2.2
P0058	2.2
P0126	8.1
P0146	8.1
P0149	8.8
P0400	7
Bridge Faucets	1.2
Exposed Thermostatic	6.5
Concealed Thermostatic	6.1
Ceramic Tub & Shower Valves	5.7
Lavatory Faucets	1.2
All Shower Heads & P0869	1.8
Kitchen Faucets	1.8

KITCHEN FAUCETS

8" CENTER TO CENTER ON ALL KITCHEN FAUCETS.

MAXIMUM COUNTER THICKNESS 1 1/8"

ITEM #	Spout Extension	Height	Base Diameter
P0825	15 1/2"	6"	2 1/8"
P0826	12 1/2"	9 1/2"	2 1/8"
P0827	15 1/2"	5 1/2"	2 1/8"
P0828	16 1/4"	3"	2 1/8"
P0829	10"	3"	2 1/8"
P0830	20 1/4"	11"	2 1/8"
P0831	12 1/2"	6"	2 1/8"
P0832	6 1/2"	6"	2 1/8"
P0833	18"	12"	2 1/8"
P0834	15 5/8"	5"	2 1/8"
P0835	12 5/8"	8 3/4"	2 1/8"
P0836	12 5/8"	8 3/4"	2 1/8"
P0886	10"	3"	2 1/8"
P0887	6 1/2"	6"	2 1/8"
P1010	10"	4 1/2"	2 1/8"
P1011	12 1/2"	9 1/2"	2 1/8"
P1045	8"	2 1/4"	2 1/8"
P1046	7"	4 3/4"	2 1/8"
P1047	8"	3"	2 1/8"
P1048	7"	5 1/2"	2 1/8"
P1063	13 1/2"	8"	2 1/8"
P1064	10"	11"	2 1/8"
P1065	8 3/4"	15"	2 1/2" spout
P1066	9 1/2"	10"	2 1/2" spout

Strom Plumbing

BY

Sign of  the Crab

Kanrep Norris Distribution
42 Keefer Court, Unit 8
Hamilton, Ontario
Canada L8E 4V4
905-578-4505 / 1-800-793-2793
Fax 905-578-1040 / 1-800-315-4452
www.kanrep.ca
info@kanrep.ca