

Strom Plumbing

BY

Sign of  the Crab

Specifications & Measurements

For Catalog No. 1901
Effective July 1, 2018

3756 Omece Circle, Rancho Cordova, CA 95742

800-843-2722

orders@signofthecrab.com

www.signofthecrab.com www.stromplumbing.com

Warranty & Product Information

- **Faucet Construction**

Each item is individually assembled and tested in the United States. Our faucets are constructed with high quality, low lead brass. Our lavatory & kitchen faucets are lead free per California AB1953. They meet all current regulations with regard to lead composition.

- **Tubs**

Most of our cast iron tubs are IAPMO approved. Our tub legs are constructed of solid brass with chrome or nickel plating or with our electrostatically applied Supercoat or Oil Rubbed Bronze finish added. Our white and black tub legs are constructed of cast iron with premium paint added. All of our tubs include adhesive nonslip strips for the consumer to install if required. We only ship tubs & sinks (LTL Shipments) to the contiguous USA.

- **Valve Types**

All faucets will be shipped with 1/4 turn ceramic valves. Our 1/4 turn ceramic cartridge uses 2 ceramic disks that rotate to open and close the valve, minimizing mechanical wear. Thermostatic valves control the constant output temperature of the faucet.



- **CALGreen Compliant**

Products displaying this green crab symbol meet all requirements for the CALGreen code 4303.1.3.2



Products displaying this symbol are not for sale in California.

Tub Warranty

Our tubs are warranted to be free of manufacturing and finish defects for a period of 5 years from date of purchase, when properly installed by a qualified, licensed plumber. In most cases on-site repair of the tub will be accomplished, minimizing the inconvenience to the customer. Most of our Cast Iron tubs are IAPMO approved.

Faucet & Accessory Warranty

All items are warranted to be free of manufacturing and finish defects for a period of **5 years** from date of purchase, when properly installed by a qualified, licensed plumber. For items other than sinks & tubs, this warranty covers replacement of defective parts, not of complete product, unless deemed necessary by a customer service representative. The warranty does not extend to labor charges or air freight charges when repair or replacement of the item is needed. The warranty only applies to interior installations. Our products are not warranted for outdoor use.

Effective as of 2015, we now offer a **Limited Lifetime Warranty on our cartridges** for all of our faucets, for as long as the original purchaser owns the unit. We will provide new cartridges as deemed necessary by our Customer Service Department to the original owner only with provided proof of purchase.

All our **ceramic faucet handles** are warranted for 5 years from date of purchase. Any ceramic faucet handle developing cracks or chips will be promptly replaced, as a cracked or broken handle may result in personal injury.

Our **Finishes** include Chrome, Matte Nickel, Polished Nickel, Supercoat Brass, Oil Rubbed Bronze, Satin Black, Unlacquered Brass, Unlacquered Satin Brass & Unlacquered Raw Brass. The Nickel Finishes and the Unlacquered Brass finishes are “living finishes” and will patina with time. Chrome & Nickel finishes are warranted against defect for a period of 5 years. The Oil Rubbed Bronze & Satin Black finishes are “non-living” fragile finishes that must be inspected prior to installation and are not warranted further. The Unlacquered Brass finishes carry no finish warranty. See our Supercoat Brass finish warranty and proper cleaning instructions below.

Lifetime Supercoat Brass Warranty

Our Supercoating is a 2 part epoxy, applied electrostatically, and baked on our brass products to insure a lasting shine. It is absolutely guaranteed for as long as the original purchaser owns their home and proper maintenance instructions are followed. The product must be returned to our factory for re-coating. We will re-coat, not replace the product if a defect of the Supercoat finish occurs.

Care of Supercoat Brass - Supercoat brass items should be wiped gently with a soft cloth after each use. Plumber’s putty should not be used for installation. Use of plumber’s putty, detergents or abrasive cleaners will void the warranty of the finish as they may cause deterioration of the coating. We recommend a bead of waterproof silicone where putty is needed.

Installation Instructions

Installation instructions are included with every faucet and are also available on our website at www.signofthecrab.com.

Price Changes

Prices and products are subject to change without notice. Unless price is protected in writing, shipment will be at prevailing prices.

We only sell wholesale to qualifying trade accounts.

CAST IRON - TRADITIONAL									
ITEM #	OVERALL LENGTH	OVERALL WIDTH	OVERALL HEIGHT	FAUCET HOLES CENTER TO CENTER	BOTTOM OF TUB TO FLOOR	OVERFLOW HEIGHT TO BOTTOM OF TUB	SEAT AREA	WATER VOLUME GALLON	UNCRATED / CRATED WEIGHT - LBS
P0700	60.5"	30.5"	24"	3 3/8"	5.3"	12.5"	37" x 17"	36	352 / 485
P0731	48.5"	30.5"	22"	3 3/8"	4.7"	12.5"	27" x 15"	23	220 / 383
P0880	60.5"	30.5"	24"	N/A	5.3"	15.5"	37" x 17"	41	352 / 485
P0885	60.5"	30.5"	24"	7"	5.3"	15.5"	37" x 17"	41	352 / 485

CAST IRON - SLIPPER									
ITEM #	OVERALL LENGTH	OVERALL WIDTH	OVERALL HEIGHT	FAUCET HOLES CENTER TO CENTER	BOTTOM OF TUB TO FLOOR	OVERFLOW HEIGHT TO BOTTOM OF TUB	SEAT AREA	WATER VOLUME GALLON	UNCRATED / CRATED WEIGHT - LBS
P0704	66.5"	30"	23" x 29"*	7"	6.3"	14.5"	41" x 17"	48	394 / 540
P0705	66.5"	30"	23" x 29"*	N/A	6.3"	14.5"	41" x 17"	48	394 / 540
P0760	61"	31"	25" x 32.3"*	7"	5.3"	15.5"	38" x 15"	39	374 / 515
P0762	61"	31"	25" x 32.3"*	N/A	5.3"	15.5"	38" x 15"	39	374 / 515

* LOW SIDE / HIGH SIDE

CAST IRON - DOUBLE ENDED SLIPPER									
ITEM #	OVERALL LENGTH	OVERALL WIDTH	OVERALL HEIGHT	FAUCET HOLES CENTER TO CENTER	BOTTOM OF TUB TO FLOOR	OVERFLOW HEIGHT TO BOTTOM OF TUB	SEAT AREA	WATER VOLUME GALLON	UNCRATED / CRATED WEIGHT - LBS
P0767	72"	31.5"	29.5" / 21.5"	7"	5.3"	13.7"	34" x 15"	68	418 / 624
P0770	72"	31.5"	29.5" / 21.5"	N/A	5.3"	13.7"	34" x 15"	68	462 / 624
P0784	72"	31.5"	29.5" / 21.5"	7"	5.3"	13.7"	34" x 15"	68	418 / 624
P0785	72"	31.5"	29.5" / 21.5"	N/A	5.3"	13.7"	34" x 15"	68	462 / 624
P0883/P0883B	72"	31.5"	30" / 21.5"	7"	7.5"	12.5"	34" x 15"	68	506 / 640
P0884/P0884B	72"	31.5"	30" / 21.5"	N/A	7.5"	12.5"	34" x 15"	68	506 / 640
P1176	66"	28 1/2"	29" / 26"	N/A	5"	16 1/2"	44" x 16"	72	396 / 496

CAST IRON - DUAL ENDED									
ITEM #	OVERALL LENGTH	OVERALL WIDTH	OVERALL HEIGHT	FAUCET HOLES CENTER TO CENTER	BOTTOM OF TUB TO FLOOR	OVERFLOW HEIGHT TO BOTTOM OF TUB	SEAT AREA	WATER VOLUME GALLON	UNCRATED / CRATED WEIGHT - LBS
P0765	66.5"	30.5"	24"	7"	6"	15.5"	45" x 17"	50	374 / 529
P0768	66.5"	30.5"	24"	N/A	6"	15.5"	45" x 17"	50	374 / 529
P0766	66.5"	30.5"	24"	7"	7.25"	17.25"	45" x 17"	50	475 / 635
P0769	66.5"	30.5"	24"	N/A	7.25"	17.25"	45" x 17"	50	466 / 635
P0777	61.5"	30.5"	24.5"	7"	7.25"	17.25"	41" x 17"	45	462 / 577
P0778	61.5"	30.5"	24.5"	N/A	7.25"	17.25"	41" x 17"	45	462 / 577
P0881	61.5"	30.5"	24"	7"	6"	15.5"	41" x 17"	45	352 / 520
P0882	61.5"	30.5"	24"	N/A	6"	15.5"	41" x 17"	45	352 / 520
P1114	61"	30.5"	24"	7"	6"	15.5"	41" x 17"	45	352 / 520
P1115	61"	30.5"	24"	N/A	6"	15.5"	41" x 17"	45	352 / 520
P1116	66.5"	30.5"	24"	7"	6"	15.5"	45" x 17"	50	374 / 529
P1117	66.5"	30.5"	24"	N/A	6"	15.5"	45" x 17"	50	374 / 529

CAST IRON - RECTANGULAR									
ITEM #	OVERALL LENGTH	OVERALL WIDTH	HEIGHT	FAUCET HOLES CENTER TO CENTER	BOTTOM OF TUB TO FLOOR	OVERFLOW HEIGHT TO BOTTOM OF TUB	SEAT AREA	WATER VOLUME GALLON	UNCRATED / CRATED WEIGHT - LBS
P1172	60"	31"	23 3/4"	7"	6"	14 1/2"	43" x 18'	50	404 / 515
P1173	60"	31"	23 3/4"	N/A	6"	14 1/2"	43" x 18'	50	404 / 515
P1174	66"	31"	23 3/4"	7"	6"	14 1/2"	49" x 18'	55	437 / 559
P1175	66"	31"	23 3/4"	N/A	6"	14 1/2"	49" x 18'	55	437 / 559

WE DO NOT SHIP TUBS OR SINKS TO ALASKA OR HAWAII

CAST IRON - SHOWER PAN						
ITEM #	OVERALL LENGTH	OVERALL WIDTH	OVERALL HEIGHT	STANDING AREA	BOTTOM OF PAN TO FLOOR	UNCRATED / CRATED WEIGHT - LBS
P0774	42"	42"	12.5"	35" x 35"	6"	220 / 336

CAST IRON - FARM HOUSE SINK							
ITEM #	OVERALL LENGTH	OVERALL DEPTH	HEIGHT-TOP TO BOTTOM OF APRON	INTERIOR SINK SIZE	P0814 SINK COUNTER HEIGHT WITH LEGS	FAUCET HOLES CENTER TO CENTER	UNCRATED / CRATED WEIGHT - LBS
P0812	60.25"	21"	18"	24" x 16"	N/A	8"	336 / 418
P0813	29" x 35"	N/A	N/A	N/A	N/A	N/A	58
P0814	60.25"	21"	18"	24" x 16"	30" to 36"	8"	389 / 476
P1118	42"	21"	16.14"	19.25" X 16"	N/A	8"	154 / 234
P1177	25"	20 7/8"	16"	20 1/2" x 16"	N/A	8"	110 / 143

ACRYLIC - DUAL									
ITEM #	OVERALL LENGTH	OVERALL WIDTH	OVERALL HEIGHT	FAUCET HOLES CENTER TO CENTER	BOTTOM OF TUB TO FLOOR	OVERFLOW HEIGHT TO BOTTOM OF TUB	SEAT AREA	WATER VOLUME GALLON	UNCRATED / CRATED WEIGHT - LBS
P0772	75"	34.5"	24"	7"	6"	14 3/4"	53" x 19"	50	134/239
P0773	75"	34.5"	24"	N/A	6"	14 3/4"	53" x 19"	50	134/239
P0775	60"	34.5"	24"	7"	6"	14 3/4"	39" x 19"	38	110/202
P0776	60"	34.5"	24"	N/A	6"	14 3/4"	39" x 19"	38	110/202
P0948	66"	31"	24"	7"	5.25"	14 3/4"	43" x 15"	48	119/216
P0949	66"	31"	24"	N/A	5.25"	14 3/4"	43" x 15"	48	119/216
P1109	66.1"	30.7"	23.6"	7"	5.9"	14.2"	45" x 17"	47.3"	100 / 175
P1110	66.1"	30.7"	23.6"	N/A	5.9"	14.2"	45" x 17"	47.3"	100 / 175
P1113	66.1"	28.4"	26"	N/A	7.5"	N/A	48" x 18"	N/A	83 / 158
P1157	66"	31"	24"	7"	5.25"	14 3/4"	43" x 15"	48	119/216
P1158	66"	31"	24"	N/A	5.25"	14 3/4"	43" x 15"	48	119/216
P1165	66.1"	30.7"	23.6"	7"	5.9"	14.2"	45" x 17"	47.3"	100 / 175
P1166	66.1"	30.7"	23.6"	N/A	5.9"	14.2"	45" x 17"	47.3"	100 / 175

ACRYLIC - SLIPPER									
ITEM #	OVERALL LENGTH	OVERALL WIDTH	OVERALL HEIGHT	FAUCET HOLES CENTER TO CENTER	BOTTOM OF TUB TO FLOOR	OVERFLOW HEIGHT TO BOTTOM OF TUB	SEAT AREA	WATER VOLUME GALLON	UNCRATED / CRATED WEIGHT - LBS
P0951	67"	30"	23.25" / 28.75"*	7"	5.25"	14 1/2"	45" x 18"	41	104/205
P0952	67"	30"	23.25" / 28.75"*	N/A	5.25"	14 1/2"	45" x 18"	41	104/205
P0956	60"	32"	25" / 33.5"*	7"	5.5"	15 3/4"	38" x 16"	42	121/226
P0957	60"	32"	23 3/4" / 33.5"*	N/A	5.5"	15 3/4"	38" x 16"	42	121/226
P0964	60"	32"	23 3/4" / 33.5"*	7"	5.5"	15 3/4"	38" x 16"	42	121/226
P0965	60"	32"	23 3/4" / 33.5"*	N/A	5.5"	15 3/4"	38" x 16"	42	121/226
P1111	60.6"	32.3"	22.8"/31.9"*	7"	5.7"	13.2"	40" X 19"	43	96 / 171
P1112	60.6"	32.3"	22.8"/31.9"*	N/A	5.7"	13.2"	40" X 19"	43	96 / 171
P1167	60.6"	32.3"	22.8"/31.9"*	7"	5.7"	13.2"	40" X 19"	43	96 / 171
P1168	60.6"	32.3"	22.8"/31.9"*	N/A	5.7"	13.2"	40" X 19"	43	96 / 171

* LOW SIDE / HIGH SIDE

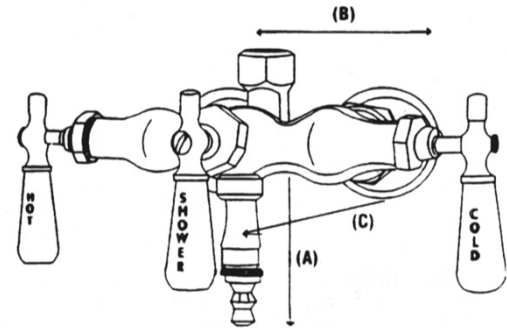
WE DO NOT SHIP TUBS OR SINKS TO ALASKA OR HAWAII

ACRYLIC - DOUBLE ENDED SLIPPER									
ITEM #	OVERALL LENGTH	OVERALL WIDTH	OVERALL HEIGHT	FAUCET HOLES CENTER TO CENTER	BOTTOM OF TUB TO FLOOR	OVERFLOW HEIGHT TO BOTTOM OF TUB	SEAT AREA	WATER VOLUME GALLON	UNCRATED / CRATED WEIGHT - LBS
P0993	72"	31.5"	29.5" / 25"	7"	5.3"	13.7"	34" x 15"	68	226/388
P0994	72"	31.5"	29.5" / 25"	N/A	5.3"	13.7"	34" x 15"	68	226/388
P0995	72"	31.5"	29.5" / 25"	7"	5.3"	13.7"	34" x 15"	68	218/380
P0996	72"	31.5"	29.5" / 25"	N/A	5.3"	13.7"	34" x 15"	68	218/380
P0997	72"	31.5"	30" / 23.5"	7"	7.5"	12.5"	34" x 15"	68	216/378
P0998	72"	31.5"	30" / 23.5"	N/A	7.5"	12.5"	34" x 15"	68	216/378
P1159	72"	31.5"	29.5" / 25"	7"	5.3"	13.7"	34" x 15"	68	226/388
P1160	72"	31.5"	29.5" / 25"	N/A	5.3"	13.7"	34" x 15"	68	226/388
P1161	72"	31.5"	29.5" / 25"	7"	5.3"	13.7"	34" x 15"	68	218/380
P1162	72"	31.5"	29.5" / 25"	N/A	5.3"	13.7"	34" x 15"	68	218/380
P1163	72"	31.5"	30" / 23.5"	7"	7.5"	12.5"	34" x 15"	68	216/378
P1164	72"	31.5"	30" / 23.5"	N/A	7.5"	12.5"	34" x 15"	68	216/378

ACRYLIC - SOAKER									
ITEM #	OVERALL LENGTH	OVERALL WIDTH	OVERALL HEIGHT	FAUCET HOLES CENTER TO CENTER	BOTTOM OF TUB TO FLOOR	OVERFLOW HEIGHT TO BOTTOM OF TUB	SEAT AREA	WATER VOLUME GALLON	UNCRATED / CRATED WEIGHT - LBS
P0879	70"	34"	28.5"	N/A	3.5"	13 1/4"	43" x 17"	62	139/253
P0945	70"	34"	25"	N/A	N/A	13 1/4"	43" x 17"	62	139/253
P1036	65"	30 3/4"	20 1/2" / 26 1/4"*	N/A	N/A	11 1/2"	37" x 19"	31	90/200
P1106	71"	33 1/4"	23	N/A	N/A	15"	48" x 27"	68	113/213
P1108	66.1"	31.5"	24"/31.9"*	N/A	5.1"	15"	45" x 21"	63	81 / 156
P1152	66"	30 3/4"	23"	N/A	N/A	15"	47" x 19"	58	81 1/2 / 147
P1153	66"	30 3/4"	23"	N/A	N/A	15"	47" x 19"	58	81 1/2 / 147
P1154	70"	30"	23"	N/A	N/A	15 1/4"	48 1/2" x 20"	60	92 1/2 / 158
P1155	60"	29"	20 7/8"	N/A	N/A	13 1/2"	44" x 19"	55	66 / 132
P1156	60"	28 1/2"	21"	N/A	N/A	14"	45 1/2" x 19 1/2"	55	79 / 145

* LOW SIDE / HIGH SIDE

LEG TUB FAUCETS			
<u>ITEM #</u>	<u>Spout Length / Height</u>	<u>Center to Center</u>	<u>Wall to Spout extension</u>
P0006	3 1/2"	3 3/8"	3 1/4"
P0126	9 3/4"	3 3/8"	5 3/8"
P0146*	4 1/2"	3 3/8" - 12"*	7"
P0149-1	9 3/4"	3 3/8"	8"
P0400/P0402	9 3/4"	3 3/8"	8"
P0708	9 3/4"	3 3/8"	8"
P0793	9 3/4"	3 3/8"	8"
P0804	9 3/4"	3 3/8" - 9"	8"
P0889	5"	3 3/8" - 12"	7 1/2"
P1003	5"	3 3/8" - 12"	8"
P1004	7 1/2"	3 3/8"	11"
P1014	4 1/2"	3 3/8" - 12"	7"
P1017	8"	3 3/8" - 12"	10 1/2"
P1018	8"	3 3/8" - 12"	10 1/2"
P1026	9 3/4"	3 3/8"	8"
P1053	8"	3 3/8"	11"
P1067	10 1/2"	3 3/8" - 12"	9"



*minimum centers is 4 1/2" when mounting on a "bathroom wall" AND/OR any faucet that has P0166 swing arms added for wall mount installation.

DECK MOUNT FAUCETS

Maximum deck thickness is 1 1/8"

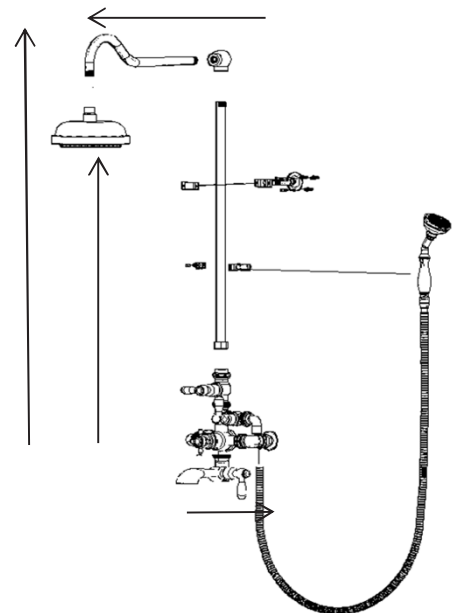
<u>ITEM #</u>	<u>Spout Extension</u>	<u>Total Height</u>	<u>Spout Clearance</u>	<u>Base Diameter</u>	<u>Center to Center</u>
P0341	7"	10"	2" BELOW DECK	2 1/8"	7"
P0462	7"	14"	2"	2 1/8"	7"
P0625	9"	ADJ.	ADJ.	2 1/8"	3 3/8" - 9"
P0626	8"	ADJ.	ADJ.	2 1/8"	3 3/8" - 12"
P0627	8"	ADJ.	ADJ.	2 1/8"	3 3/8" - 12"
P0684	9"	ADJ.	ADJ.	2 1/8"	3 3/8" - 9"
P0712	5"	ADJ.	ADJ.	2 1/8"	3 3/8" - 9"
P0795	9"	15"	6"	2 1/8"	3" - 12"
P0802	7"	8"	2 1/2"	2 1/8"	7"
P0803	5"	11"	6"	2 1/8"	3" - 12"
P0891	5 1/2"	15"	1 3/4"	2 1/8"	7"
P0969	7 1/2"	16"	3"	2 1/8"	7"
P1002	8"	13 1/2"	4 1/4"	2 1/8"	7"
P1009	7"	14"	2"	2 1/8"	7"
P1013	7"	14"	2"	2 1/8"	7"
P1015	8"	13"	10"	2 1/8"	7"
P1054	12"	variable	N/A	2 1/8"	variable
P1068	8"	17"	N/A	2 1/8"	7"
P1073	8 1/2"	15"	4 3/4"	2 1/8"	7"
P1074	8 1/4"	14"	1/2"	2 1/8"	3" - 12"
P1075	8 1/4"	8"	1/2"	2 1/8"	7"
P1076	6"	13 1/2"	2 3/4"	2 1/8"	7"
P1077	7"	8"	2 1/2"	2 1/8"	7"
P1132	5"	8 1/2"	3 3/4"	2 1/8"	7"

WALL MOUNT FAUCETS				
ITEM #	Extension from wall to Spout	Body center to center	Total height from Inlet	Spout Drop from Inlet
P0655	11 1/2"	3 3/8"	9 3/4"	N/A
P0790	10"	7"	7"	4 1/2"
P0894	10 1/2"	7"	15"	4 1/2"
P0905	12"	7"	10"	1/2"
P0944	10"	7"	7"	4 1/2"
P0916	11"	N/A	N/A	1"
P0970	13"	7"	11"	1"
P1001	10"	7"	8 1/4"	5"
P1016	11 1/2"	7"	10 1/2"	N/A
P1027	10"	7"	7"	4 1/2"
P1037	11 1/2"	3 3/8"	9 3/4"	N/A
P1055	11"	3 3/8"	8"	N/A
P1078	10"	7"	3"	4 1/2"
P1079	11 1/2"	7"	7"	5 1/2"
P1080	12 1/2"	7"	10"	1/2"
P1124	13"	7"	8"	N/A
P1125	11 1/2"	7"	2"	5 1/2"
P1126	11"	7"	2"	5"
P1127	12 1/2"	7"	3"	1 1/2"
P1128	13"	7"	3"	1/2"
P1133	10 1/2"	7"	1 1/2"	4 1/2"

****SPOUT DROP IS 4 1/2"**

******The minimum center to center is 4 1/2" when mounting on a "bathroom wall" AND/OR any faucet that has P0166 swing arms added for wall mount installation.**

WALL MOUNT SHOWERS				
ITEM #	Extension from wall to Spout or Head	Body center to center	Total height from Inlet	Bottom of Head or spout to Inlet
P0678	19"	3 3/8"	44"	36"
P0713	19"	3 3/8"	44"	36"
P0901	19"	7"	45"	37"
P0902	19"	7"	48"	40"
P0903**	Spout 8 1/2" / Head 19"	7"	45"	40"
P0907	10"	7"	69"	58"
P0946**	Spout 8 1/2" / Head 19"	7"	48"	40"
P0963**	Spout 8 1/2" / Head 19"	7"	64.5"	56 1/2"
P1021	11 1/2"	3 3/8"	65"	57 1/2"
P1022	12"	7"	42"	35"
P1049	Spout 8 1/2" / Head 15"	7"	64.5"	56 1/2"
P1085	19"	7"	46"	38"
P1087	17"	7"	41"	28"
P1088	17"	7"	43"	30"
P1089**	17"	7"	41"	29"
P1090	17"	7"	43"	30"
P1091	17"	8"	38"	25"
P1092	17"	7"	38"	25"
P1093	17"	7"	38"	25"
P1094	12"	7"	44 1/2"	39"
P1095	21"	7"	42"	32"
P1096	12"	7"	40"	35"
P1123	21"	7"	42"	32"
P1130****	19"	variable	42" - 48"	34" - 40"
P1131****	19"	variable	43" - 49"	35" - 41"



OVER THE RIM FAUCET/SUPPLY SETS					
ITEM #	Spout Extension	Center to Center	Supply Only Height	Total Height	Spout Drop
P0972	10 1/2"	3 3/8"	24"	34"	N/A
P0972-28	10 1/2"	3 3/8"	28"	38"	N/A
P0973	10 1/2"	7"	24"	33"	4 1/2"
P0973-28	10 1/2"	7"	28"	37"	4 1/2"
P0974	11"	7"	24"	35"	4 1/2"
P0974-28	11"	7"	28"	39"	4 1/2"
P0975	10 1/2"	7"	24"	33"	4 1/2"
P0975-28	10 1/2"	7"	28"	37"	4 1/2"
P1000	11"	7"	24"	33"	5"
P1000-28	11"	7"	28"	37"	5"
P1019-28	13"	7"	28"	94"	N/A
P1020-28	10 1/2"	3 3/8"	28"	94"	N/A
P1023	13"	7"	24"	35"	1 1/2"
P1023-28	13"	7"	28"	39"	1 1/2"
P1024	12"	7"	24"	34"	N/A
P1024-28	12"	7"	28"	38"	N/A
P1025	10 1/2"	7"	24"	33"	4 1/2"
P1025-28	10 1/2"	7"	28"	37"	4 1/2"
P1025-30	10 1/2"	7"	30"	39"	4 1/2"
P1032	14"	7"	24"	35"	N/A
P1032-28	14"	7"	28"	39"	N/A
P1056	13"	3 3/8"	24"	33"	N/A
P1056-28	13"	3 3/8"	28"	37"	N/A
P1069	14"	7"	24"	38"	N/A
P1069-28	14"	7"	28"	42"	N/A
P1081	11"	7"	24"	33"	5"
P1081-28	11"	7"	28"	37"	5"
P1082	11 1/2"	7"	24"	33"	5 1/2"
P1082-28	11 1/2"	7"	28"	37"	5 1/2"
P1083	11 1/2"	7"	24"	33"	5 1/2"
P1083-28	11 1/2"	7"	28"	37"	5 1/2"
P1129	12"	adjustable	24"	34 - 37"	N/A
P1129-28	12"	adjustable	28"	38 - 41"	N/A
P1136	11"	7"	24"	26"	4 1/2"
P1136-28	11"	7"	28"	30"	4 1/2"
P1137	15"	7"	24"	32 1/2"	N/A
P1137-28	15"	7"	28"	36 1/2"	N/A
P1138	12"	7"	24"	25"	5"
P1138-28	12"	7"	28"	29"	5"
P1139	11"	7"	24"	26"	4"
P1139-28	11"	7"	28"	30"	4"
P1140	15"	7"	24"	31"	N/A
P1140-28	15"	7"	28"	35"	N/A
P1141	12"	7"	24"	26"	5 1/2"
P1141-28	12"	7"	28"	30"	5 1/2"
P1142	17.5"	adjustable	24"	35" **	N/A
P1142-28	17.5"	adjustable	28"	39" **	N/A

** as shown
** as shown

OVER THE RIM FAUCET/SUPPLY SETS ON STRAIGHT SUPPLY LINES						
ITEM #	Spout Extension	Centers	Supply Only Height	Total Height	Spout Drop	Spout Height From Floor
P1143	7"	7"	24"	29 1/2"	1 1/2"	22 1/2"
P1143-28	7"	7"	28"	33 1/2"	1 1/2"	26 1/2"
P1144	6.5"	7"	24"	29 1/2"	3"	21"
P1144-28	6.5"	7"	28"	33 1/2"	3"	25"
P1146	7"	7"	24"	29"	1 1/2"	22 1/2"
P1146-28	7"	7"	28"	33"	1 1/2"	26 1/2"
P1147	8"	7"	24"	32"	N/A	29"
P1147-28	8"	7"	28"	36"	N/A	33"

WIDESPREAD LAVATORY FAUCETS

Minimum hole size for installation is 1 1/4". Maximum counter thickness is 1 1/2"

MISSISSIPPI SERIES	Spout Extension	Spout Height	Spout Base	Esc Diameter	Escutcheon Height	Handle Length
P0152	5 1/2"	3 1/2"	2 1/2"	2 7/8"	1 7/8"	3 1/4"
P0805	5 1/2"	3 1/2"	2 1/2"	2 7/8"	1 7/8"	2 1/16"
P0981	5 1/2"	3 1/2"	2 1/2"	2 7/8"	1 7/8"	3"

RIO GRANDE SERIES	Spout Extension	Spout Height	Spout Base	Esc Diameter	Escutcheon Height	Handle Length
P0588	7 1/2"	6 1/2"	2 1/4"	2 1/2"	1 3/4"	3"
P0888	7 1/2"	6 1/2"	2 1/4"	2 1/2"	1 3/4"	3 1/8"
P1033	7 1/2"	6 1/2"	2 1/4"	2 1/2"	1 3/4"	3 1/4"

SACRAMENTO SERIES	Spout Extension	Spout Height	Spout Base	Esc Diameter	Escutcheon Height	Handle Length
P0104**	5"	4 7/8"	2" / 2 1/2"	2 1/4"	1 1/2"	4"
P0140**	5"	4 7/8"	2" / 2 1/2"	2 1/4"	1 1/2"	3 1/4"
P0188	5"	4 7/8"	2" / 2 1/2"	2 7/8"	1 3/4"	3 1/4"
P0188X	5"	4 7/8"	2" / 2 1/2"	2 7/8"	1 3/4"	3 1/4"
P0820**	5"	4 7/8"	2" / 2 1/2"	2 7/8"	1 3/4"	3 1/4"

ST. LAWRENCE SERIES	Spout Extension	Spout Height	Spout Base	Esc Diameter	Escutcheon Height	Handle Length
P0345	4 1/2"	4 1/2"	2 3/4"	2 3/4"	2"	3 1/4"
P0346	4 1/2"	4 1/2"	2 3/4"	2 3/4"	2"	2 7/8"
P0347	4 1/2"	4 1/2"	2 3/4"	2 3/4"	2"	2 1/2"
P1008	4"	12"	2 3/8"	2 3/4"	2"	4"

THAMES SERIES	Spout Extension	Spout Height	Spout Base	Esc Diameter	Escutcheon Height	Handle Length
P0376	5 1/2"	4"	2 3/4"	2 1/2"	1 3/4"	3 1/4"
P0377	5 1/2"	4"	2 3/4"	2 1/2"	1 3/4"	3 1/2"
P0378	5 1/2"	4"	2 3/4"	2 1/2"	1 3/4"	3 1/8"
P0821	5 1/2"	4"	2 3/4"	2 1/2"	1 3/4"	3"

**Includes 7/8" spout ring

ESCUTCHEONS

ITEM #	Diameter	Height
P0099	2 7/8"	1 7/8"
P0383	3 3/8"	2"
P0384	2 7/8"	1 3/4"
P0386	2 1/4"	1 1/2"
P0387	2 1/4"	1 1/2"
P0388	2 7/8"	1 3/4"
P0391	2 1/2"	1 3/4"
P0458	2 3/4"	1 3/4"
P0478	2 3/4"	2"
P0481	2 1/2"	1 3/4"
PP0259	2 1/4"	1 1/4"

HANDLES

3/8" ID, 16 splines

ITEM #	Stem to End
P0202	3 1/8"
P0204	4"
P0206	2 3/4"
P0207	3 1/2"
P0208	3 1/2"
P0212	2 1/2"
P0214	3 1/2"
P0215	3 1/2"
P0217	3 1/4"
P0219	3 1/4"
P0220	2 1/4"

ITEM #	Stem to End
P0475	3"
P0476	2 1/2"
P0551	2"
P0552	2"
P0622	4"
P0725	3 3/16"
P0782	2 1/16"
P0815	3"
P0980	3"
P0999	3 1/2"

TUB SPOUTS

ADAPT TO 3/4" IPS (except P1044)

MINIMUM OF 1 1/2" OF THREADS OUT OF WALL FOR INSTALLATION.

ITEM #	Length	Base Diameter
P0079	5 3/4"	3"
P0080	5 3/4"	2 7/8"
P1044**	10 1/2"	2 3/8"

**Connection is 1/2" IPS

ANTIQU REPRODUCTIONS

Minimum hole size for installation is 1", maximum counter thickness 1 1/4"

ITEM #	Spout Extension	Height	Base Diameter
P0012	4"	4 1/2"	1 7/8"
P0013	5 3/4"	6"	2 1/4"
P0058	5"	4"	2 3/8"
P0549-8	5"	5 1/2"	2 7/8"
P0549-12	5"	5 1/2"	2 7/8"
P0550-8	5"	8 1/2"	2 7/8"
P0550-12	5"	8 1/2"	2 7/8"
P0557-8	5"	8 1/2"	2 7/8"
P0557-12	5"	8 1/2"	2 7/8"
P0558-8	5"	8 1/2"	2 7/8"
P0558-12	5"	8 1/2"	2 7/8"
P0565-8	5"	5"	2 7/8"
P0565-12	5"	5"	2 7/8"
P0587	4"	4 1/2"	1 7/8"
P0598	4"	4 1/2"	1 7/8"
P0629	5"	8 1/2"	2 1/8"
P0630	5"	5 1/2"	2 1/8"
P0819	8"	8"	2 1/8"
P0822	8"	8"	2 1/8"
P1005	7 1/2"	11 1/2"	2 7/8"
P1006	5" / 3***	11 1/4"	2 1/4"
P1007	5"	12"	2 7/8"
P1007-10	5"	12"	2 7/8"

**AS PICTURED - 5" from center ball forward to spout and 3" from inlet as pictured to spout.

FLOW RATES

Approximate GPM, tested at 60 PSI

Faucet	Flow Rate
P0006	7
P0012	2.2
P0013	2.2
P0058	2.2
P0126	8.1
P0146	8.1
P0149	8.8
P0400	7
Bridge Faucets	1.2
Exposed Thermostatic	6.5
Concealed Thermostatic	6.1
Ceramic Tub & Shower Valves	5.7
Lavatory Faucets	1.2
All Shower Heads & P0869	1.8
Kitchen Faucets	1.8

KITCHEN FAUCETS

8" CENTER TO CENTER ON ALL KITCHEN FAUCETS.

MAXIMUM COUNTER THICKNESS 1 1/8"

ITEM #	Spout Extension	Height	Base Diameter
P0825	15 1/2"	6"	2 1/8"
P0826	12 1/2"	9 1/2"	2 1/8"
P0827	15 1/2"	5 1/2"	2 1/8"
P0828	16 1/4"	3"	2 1/8"
P0829	10"	3"	2 1/8"
P0830	20 1/4"	11"	2 1/8"
P0831	12 1/2"	6"	2 1/8"
P0832	6 1/2"	6"	2 1/8"
P0833	18"	12"	2 1/8"
P0834	15 5/8"	5"	2 1/8"
P0835	12 5/8"	8 3/4"	2 1/8"
P0836	12 5/8"	8 3/4"	2 1/8"
P0886	10"	3"	2 1/8"
P0887	6 1/2"	6"	2 1/8"
P1010	10"	4 1/2"	2 1/8"
P1011	12 1/2"	9 1/2"	2 1/8"
P1045	8"	2 1/4"	2 1/8"
P1046	7"	4 3/4"	2 1/8"
P1047	8"	3"	2 1/8"
P1048	7"	5 1/2"	2 1/8"
P1063	13 1/2"	8"	2 1/8"
P1064	10"	11"	2 1/8"
P1065	8 3/4"	15"	2 1/2" spout
P1066	9 1/2"	10"	2 1/2" spout

*Committed to quality
since 1972*

Strom Plumbing

BY
Sign of  the Crab

3756 Omec Circle, Rancho Cordova, CA 95742

800-843-2722

orders@signofthecrab.com

www.signofthecrab.com www.stromplumbing.com