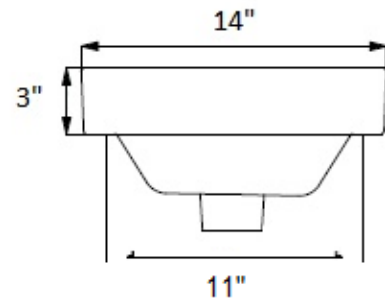
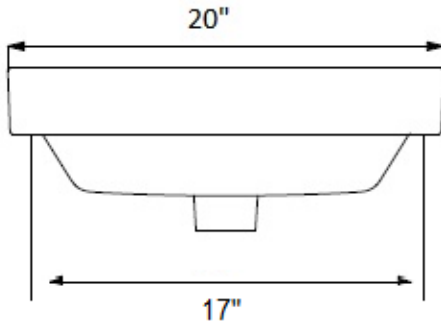


# Strom Plumbing

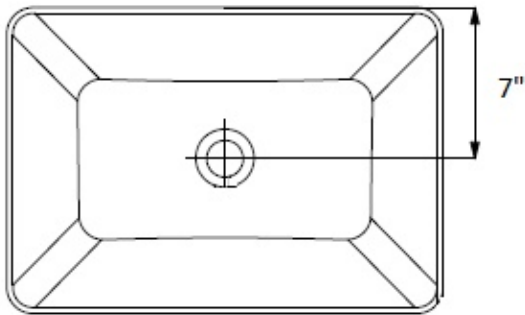


Ph: (916) 638-2722 / Fax: (916) 638-2725

## Installation Information - Item #P1181 Semi Drop-in Sink



HOLE TEMPLATE  
17" X 11"



**This sink does not have an overflow. Use with our P0661 sink drain.**

**SIGN OF THE CRAB, LLC**